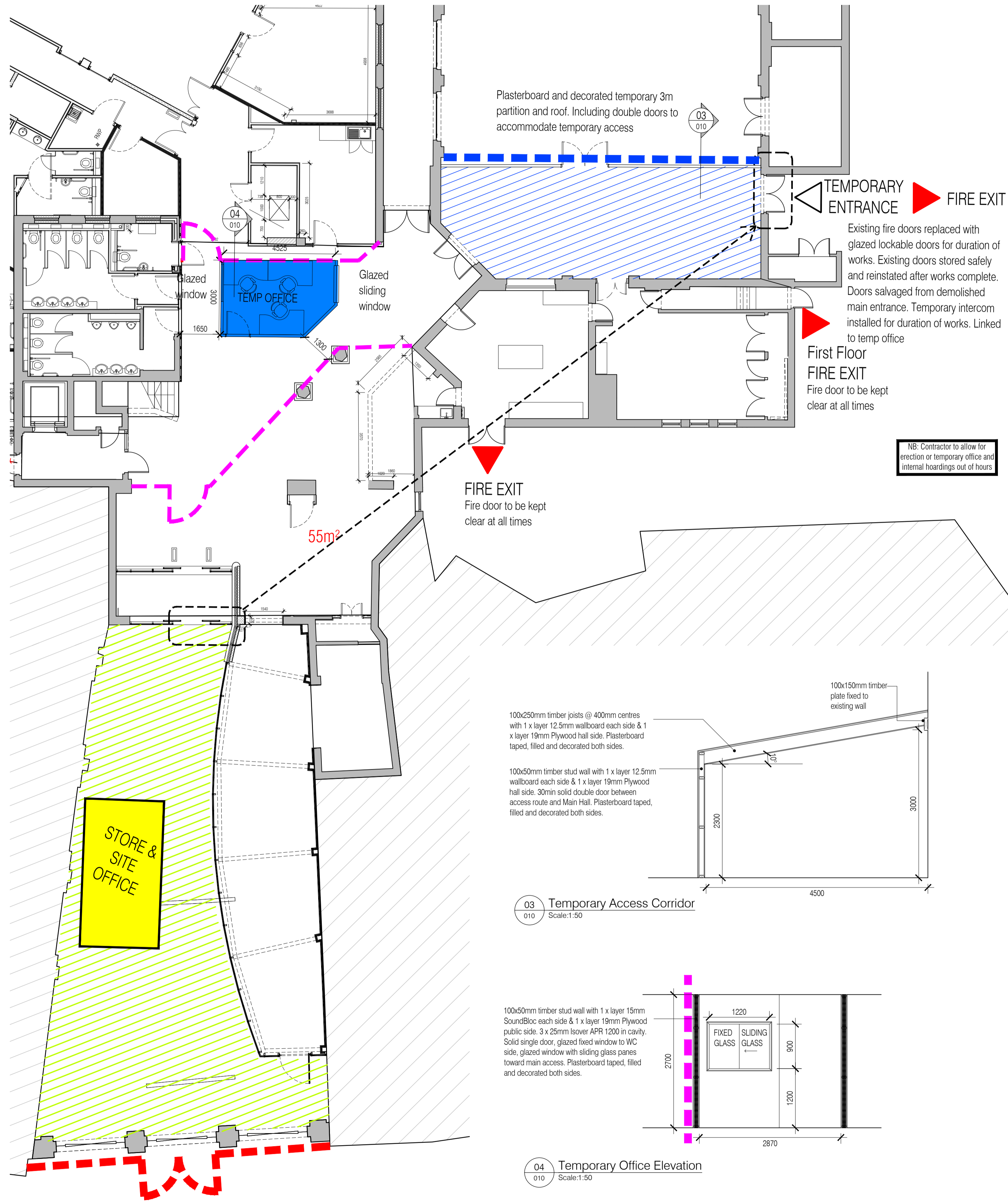
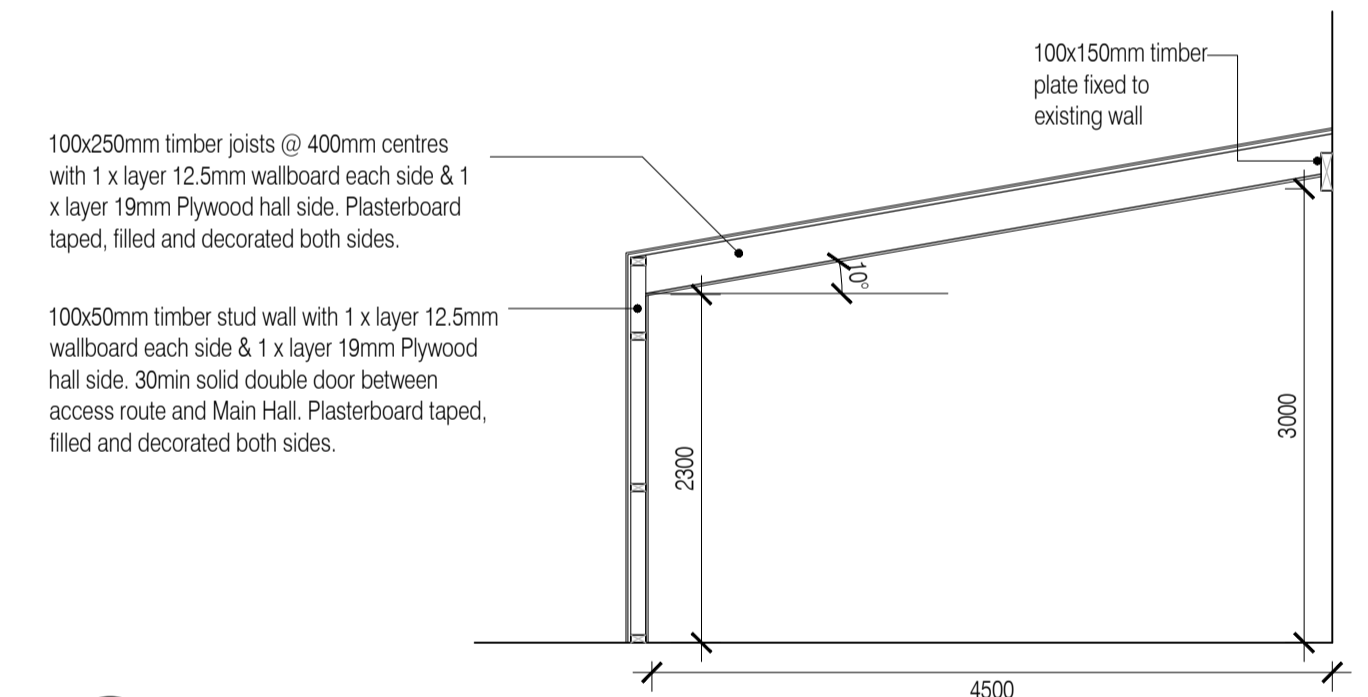


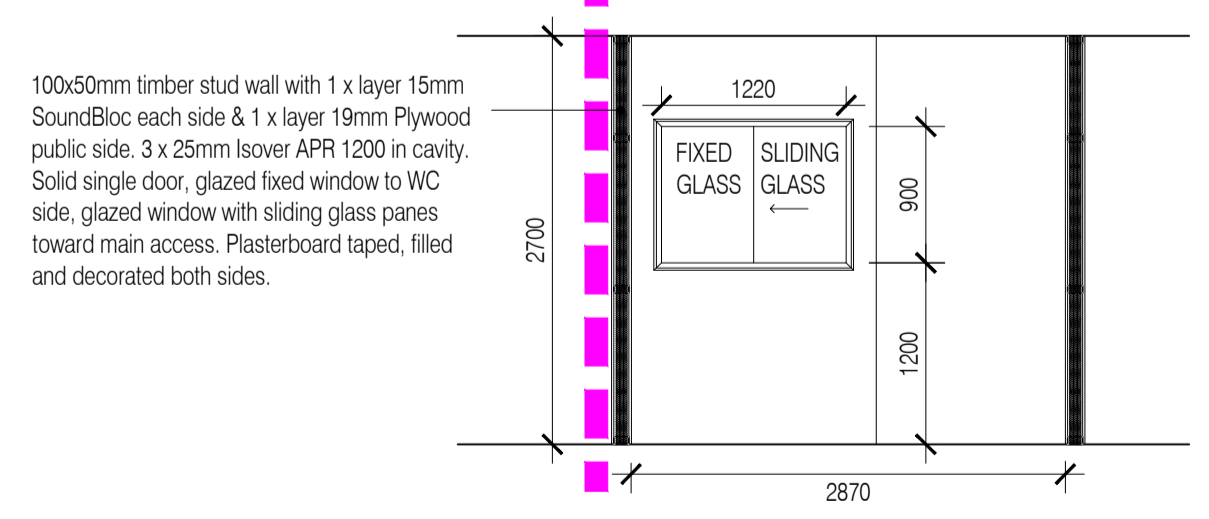
01 External Phasing
Scale: 1:200



02 Internal Hoarding
Scale: 1:100

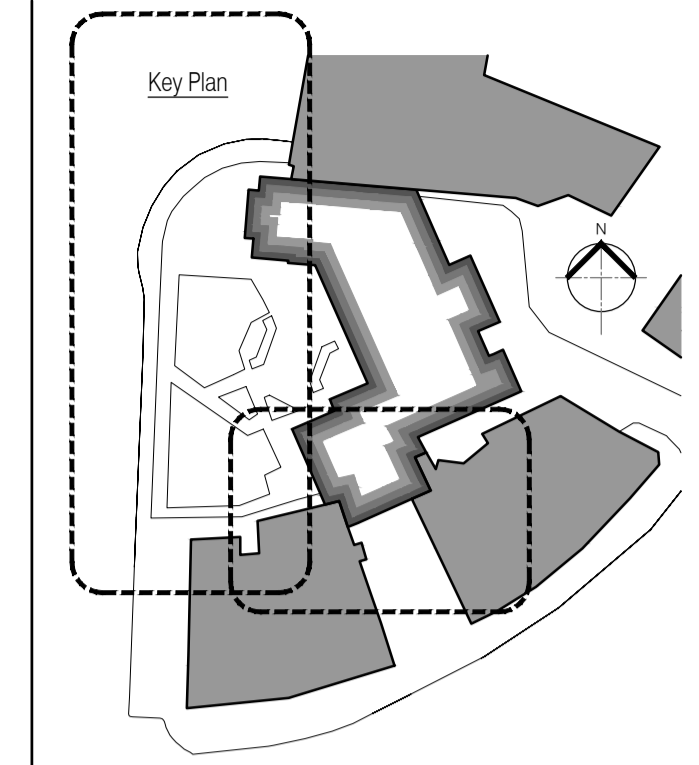


03 Temporary Access Corridor
Scale: 1:50

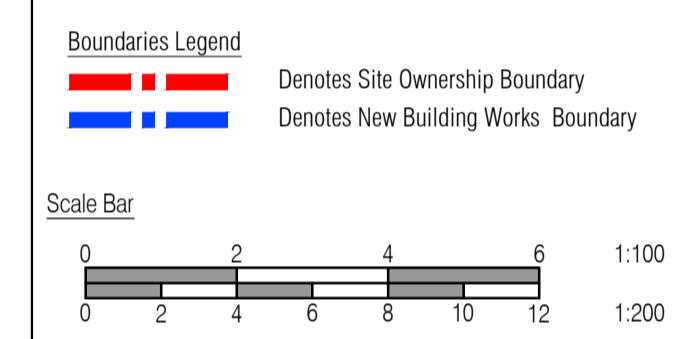


04 Temporary Office Elevation
Scale: 1:50

NOTES: Do not scale this drawing. All dimensions to be checked on site prior to commencement or manufacture.



- Construction Logistics Legend**
- Contractors Compound
 - Clear Access to Monsoons
 - Temporary partition wall and ceiling to enclose access route. 100x50 timbers w/12.5mm wallboard each side & 19mm ply one side. Tape, filled & decorated. 30 min fire rating
 - Contractors Huts (double stacked)
 - Temporary Reception & Office
- Boundaries Legend**
- Denotes Site Ownership Boundary
 - Denotes New Building Works Boundary



ISSUED FOR CONSTRUCTION

Rev	Date	By	Chk	Comment
C1	03.07.13	FRKC	JAS	Issued for CONSTRUCTION

BRINGING IDEAS TO LIFE

FRANKHAM

Frankham Consultancy Group Limited
21 Perrymount Road
Haywards Heath RH16 3TP
t 01444 444900 f 01444 455642
enquire@frankham.com
www.frankham.com

Client

Ealing
www.ealing.gov.uk

Project Title

Dominion Arts Centre
Southall
London

Drawing Title

Construction Logistics Plan

Drawn by: FRKC	Scale: Varies@A1	Date: 17.12.12
Designed by: FCG	Checked by:	Approved by:
File Ref.:	224970-A-010	
Drawing No. 224970-A-010	Rev. C1	