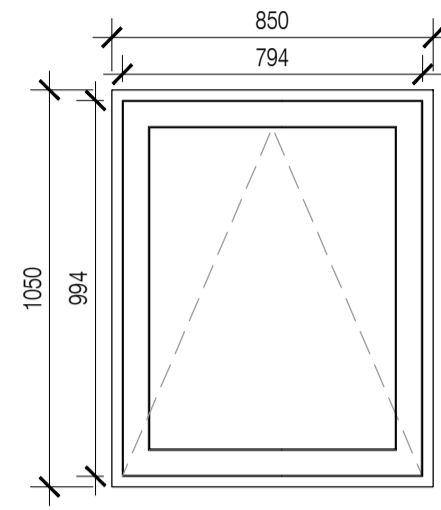
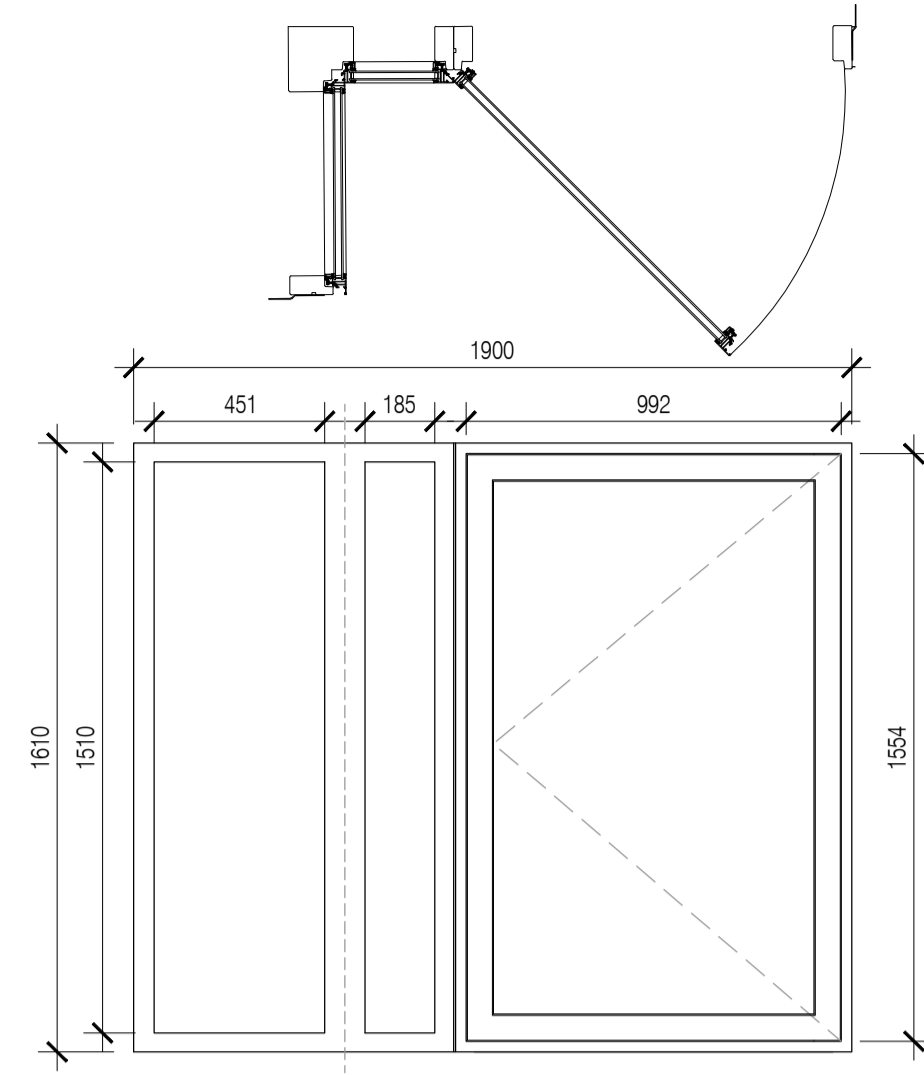


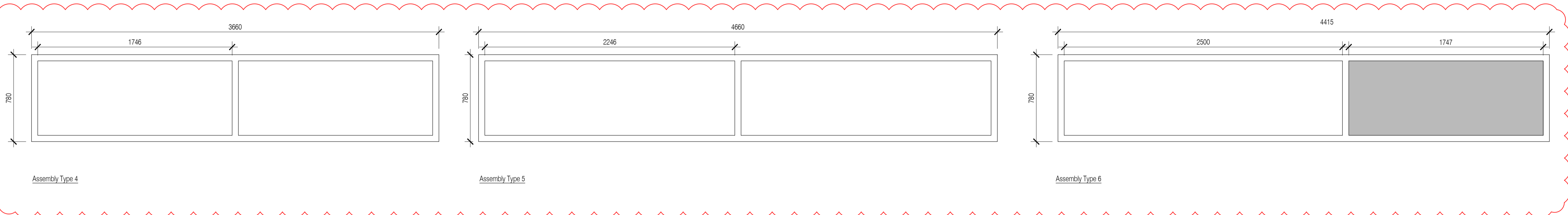
Assembly Type 1



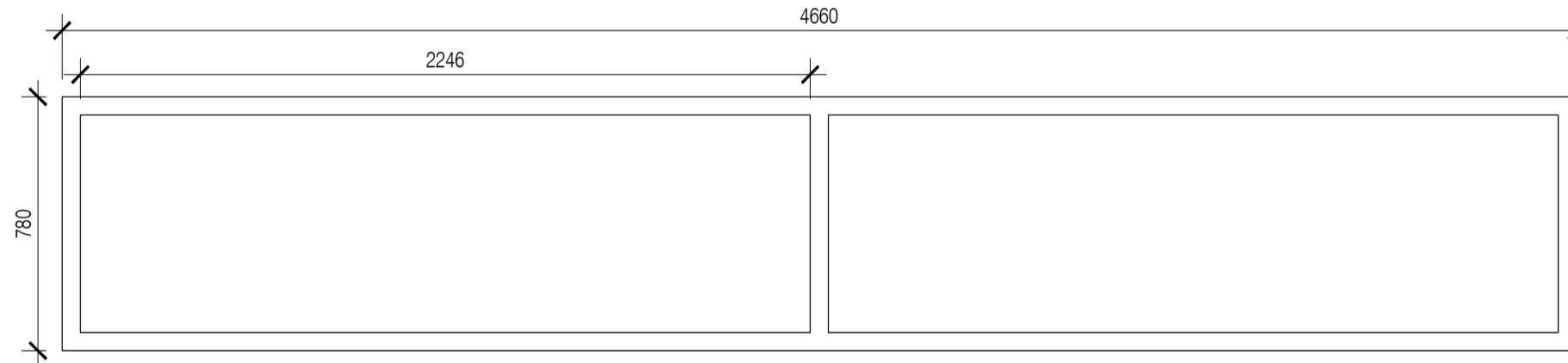
Assembly Type 2



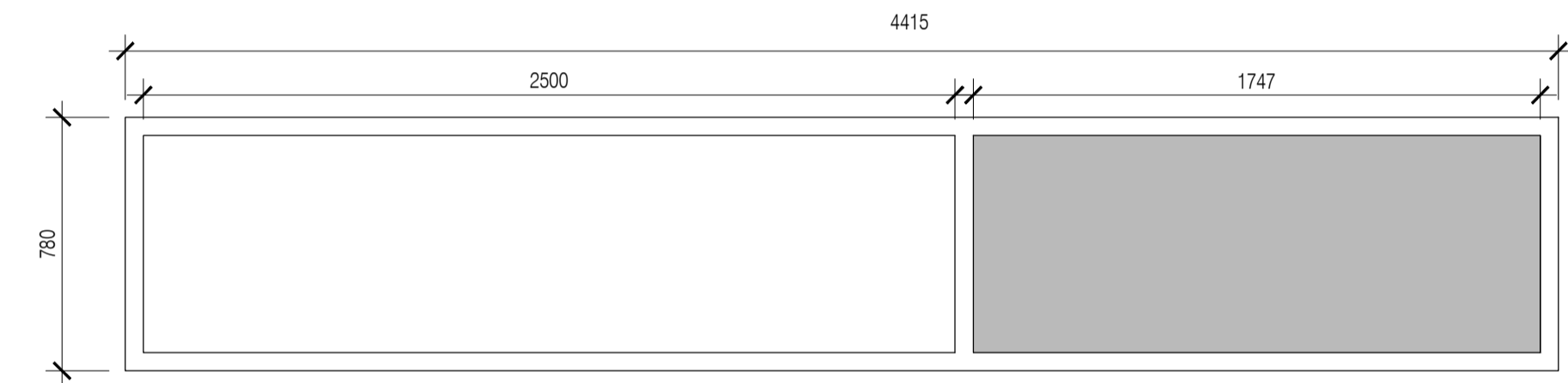
Assembly Type 3



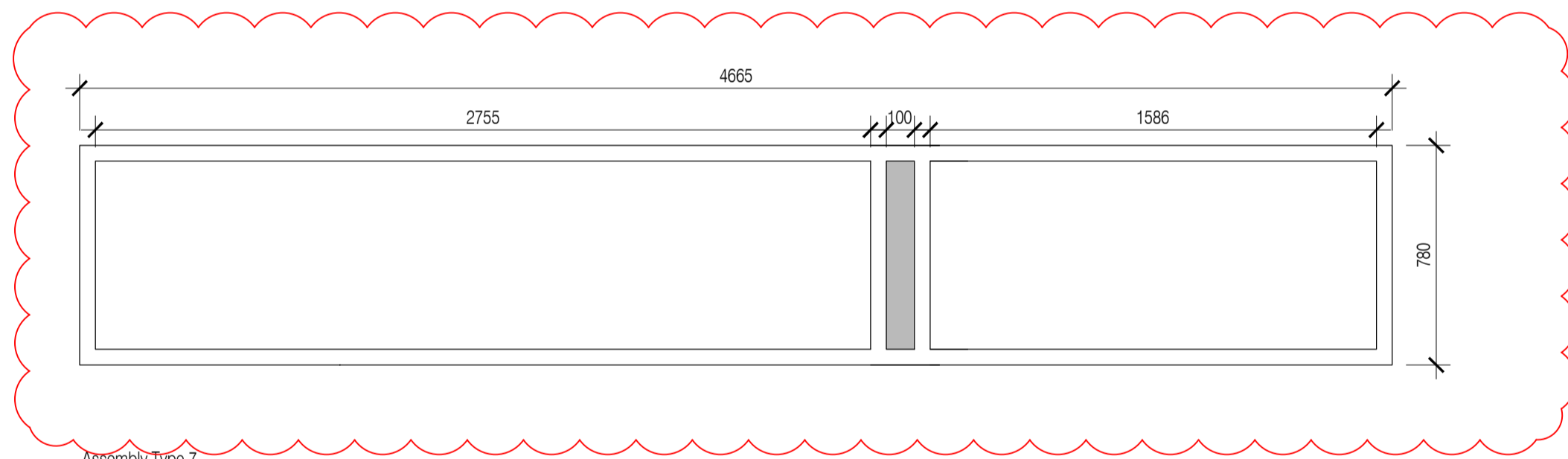
Assembly Type 4



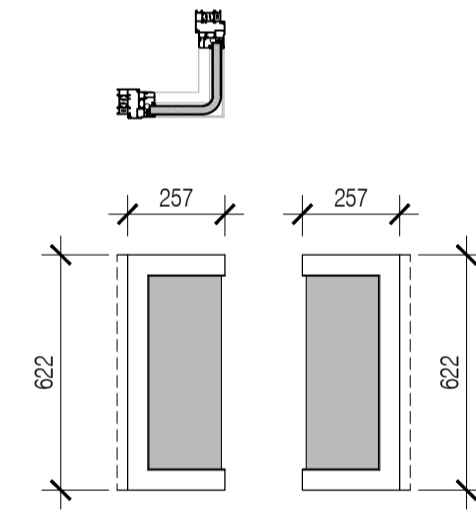
Assembly Type 5



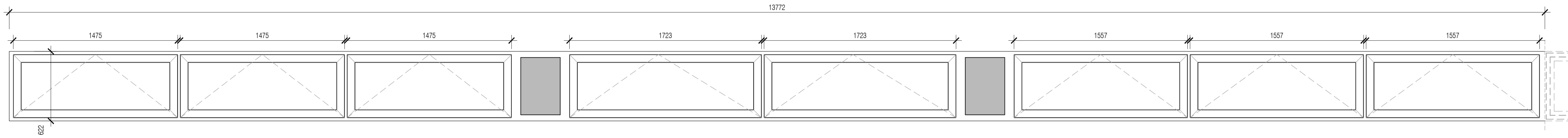
Assembly Type 6



Assembly Type 7



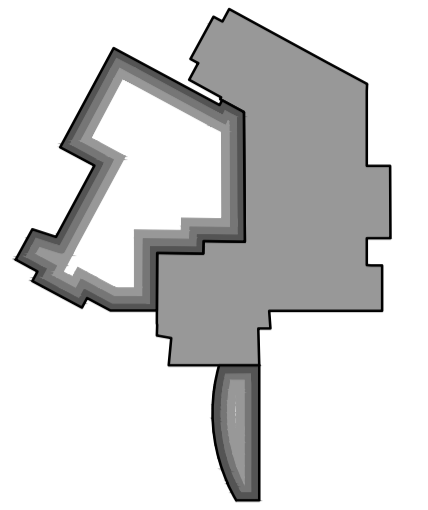
Assembly Type 8



Assembly Type 9

NOTES: Do not scale this drawing. All dimensions to be checked on site prior to commencement or manufacture.

Key Plan
(n/s)



ISSUED FOR CONSTRUCTION

Rev	Date	By	Chk	Comment
C3	08.11.13	CH	AC	Win types 4/5/6/7 adjusted
C2	05.11.13	CH	AC	Win types 4/5/6/7 adjusted
C1	03.07.13	FRK	JAS	Issued for CONSTRUCTION

BRINGING IDEAS TO LIFE



FRANKHAM

Frankham Consultancy Group Limited
21 Parnmount Road
Haywards Heath RH16 3TP
t 01444 444900 f 01444 455642
enquire@frankham.com
www.frankham.com

Client

www.ealing.gov.uk

Project Title
Dominion Arts Centre
Southall
London

Drawing Title
Window Elevations
1 of 4

Drawn by: FRK	Scale: 1:20@A1	Date: 24.03.13
Designed by: FCG	Checked by: -	Approved by: -

File Ref.: 2009-11-13-43-12

Drawing No. 224970-A-360	Rev. C3
-----------------------------	------------