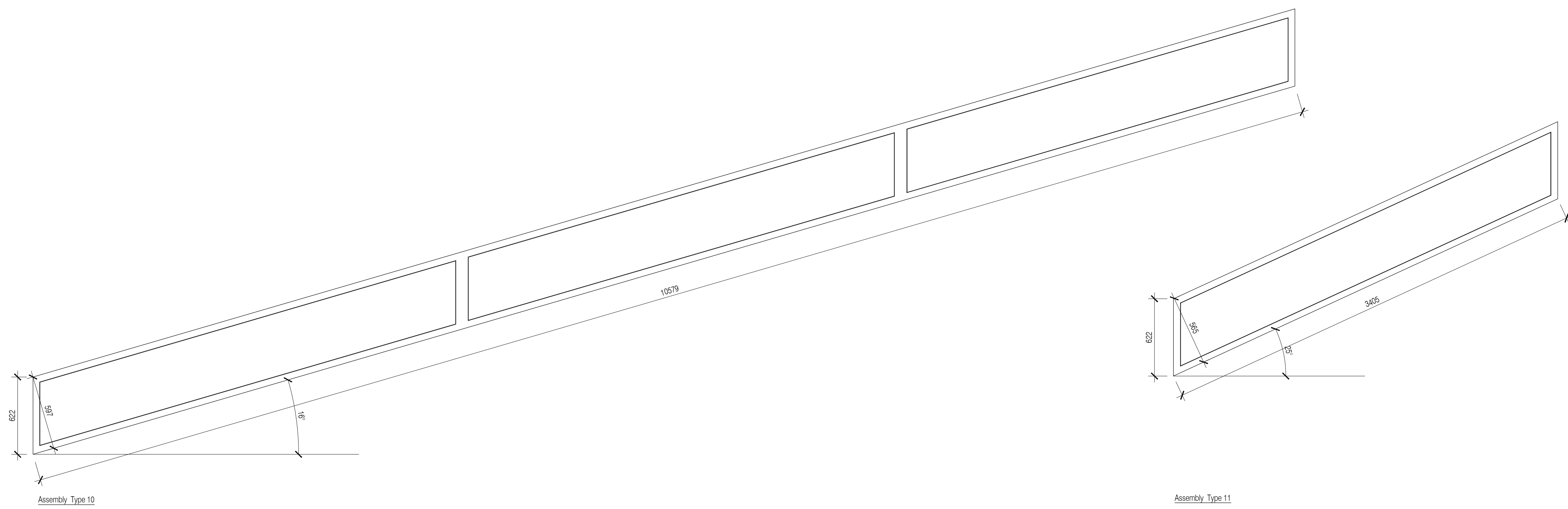
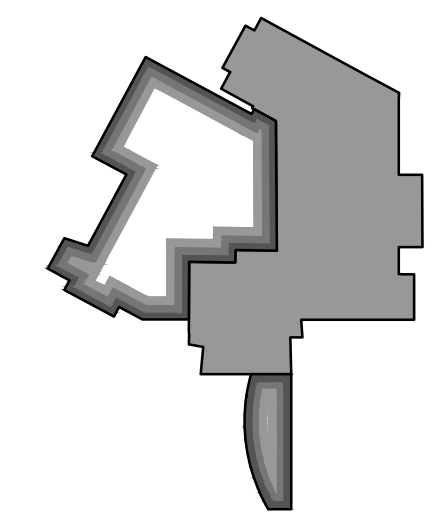


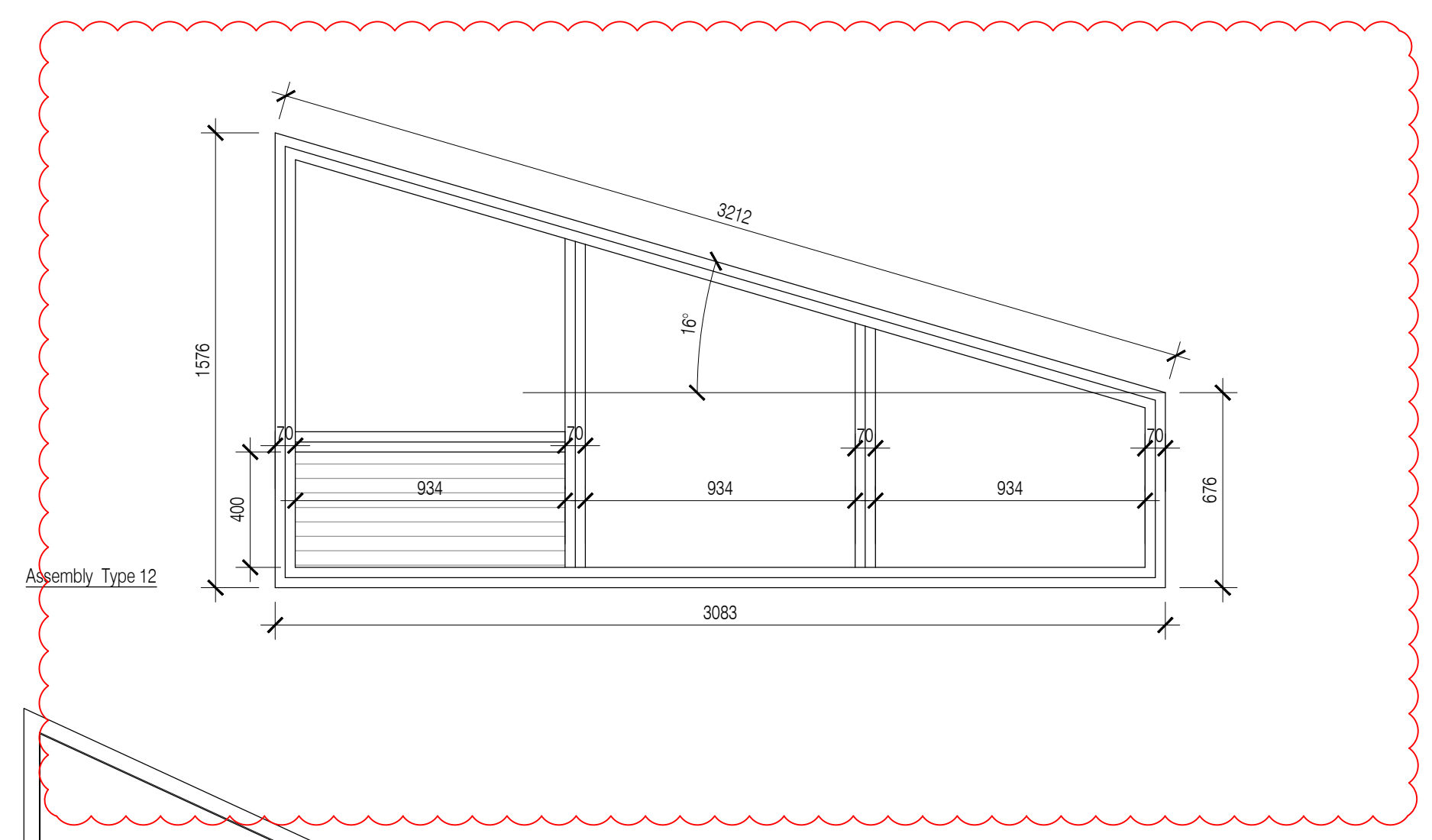
NOTES: Do not scale this drawing. All dimensions to be checked on site prior to commencement or manufacture.

Key Plan  
(n/s)

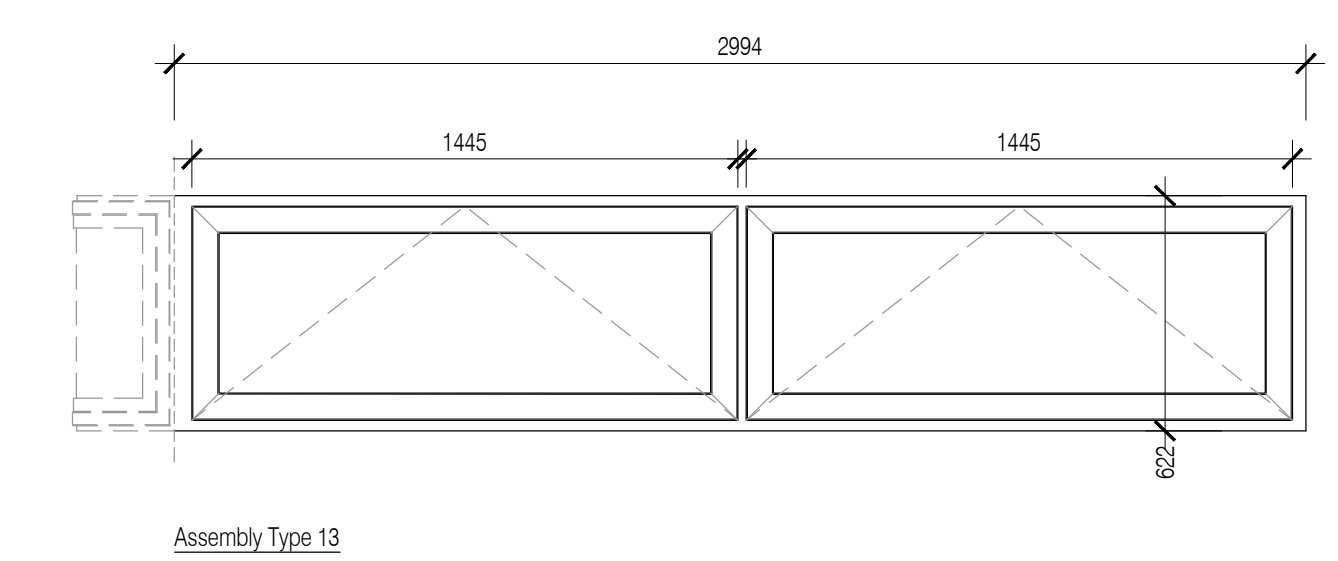


Assembly Type 10

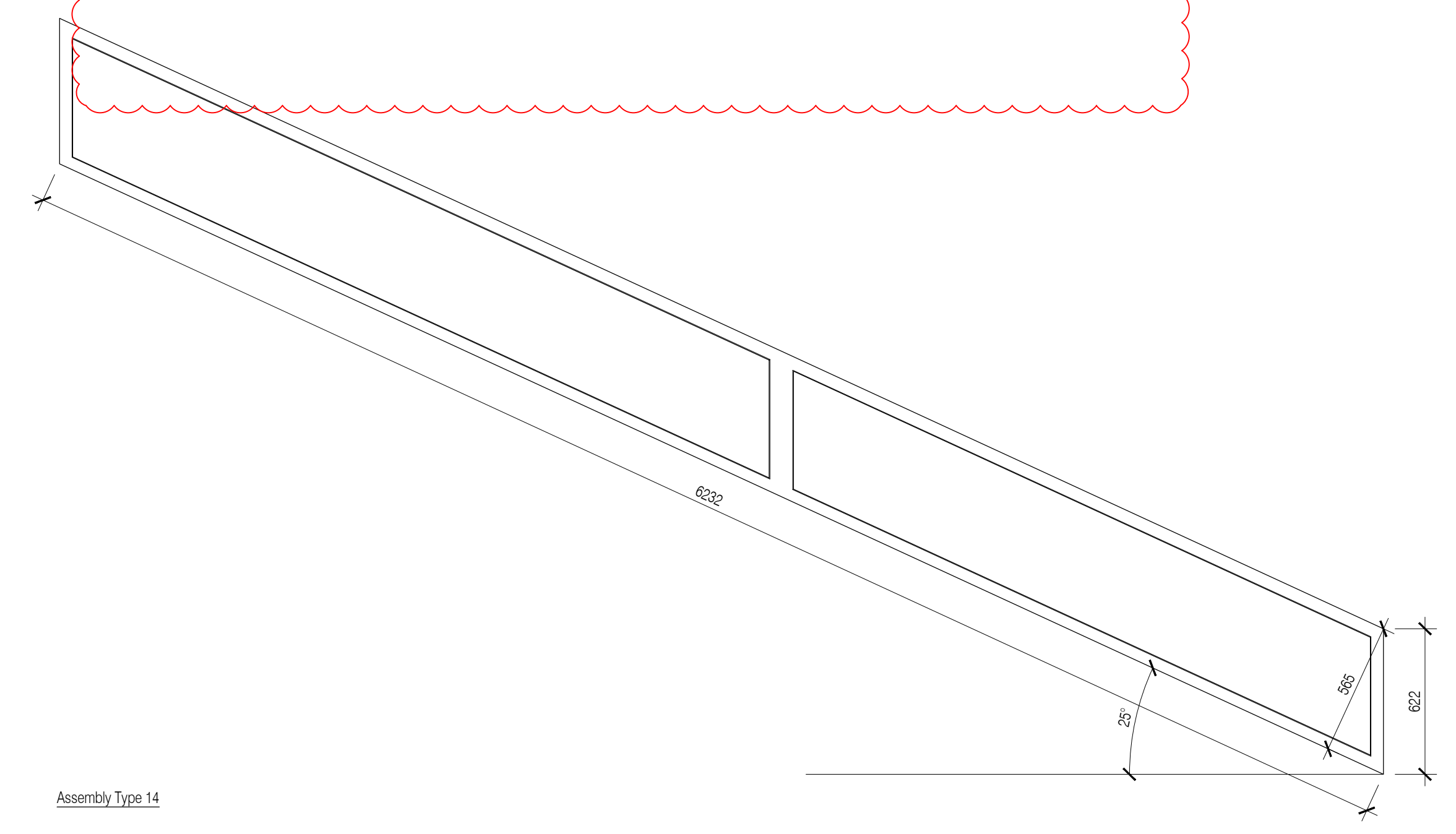
Assembly Type 11



Assembly Type 12



Assembly Type 13




Assembly Type 14

**ISSUED FOR CONSTRUCTION**

Rev	Date	By	Chk	Comment
C3	08.11.13	CH	AC	Window adjustment
C2	17.10.13	CH	AC	Window adjustments
C1	03.07.13	FKC	JAS	Issued for CONSTRUCTION

**BRINGING IDEAS TO LIFE**



**FRANKHAM**

Frankham Consultancy Group Limited  
21 Parnmount Road  
Haywards Heath RH16 3TP  
t 01444 444000 f 01444 455642  
enquiries@frankham.com  
www.frankham.com

Client



**Ealing**  
www.ealing.gov.uk

Project Title

Dominion Arts Centre  
Southall  
London

Drawing Title

Window Elevations  
2 of 4

Drawn by: FKC	Scale: 1:20@A1	Date: 24.03.13
Designed by: FCG	Checked by: -	Approved by: -

File Ref.: C:\BROOKWOOD\GALAXIE\DOMINION ARTS CENTRE\ARCH\DWG\240313\20130313_20130313.dwg	20/06/11 13:43:19
Drawing No. 224970-A-361	Rev. C3