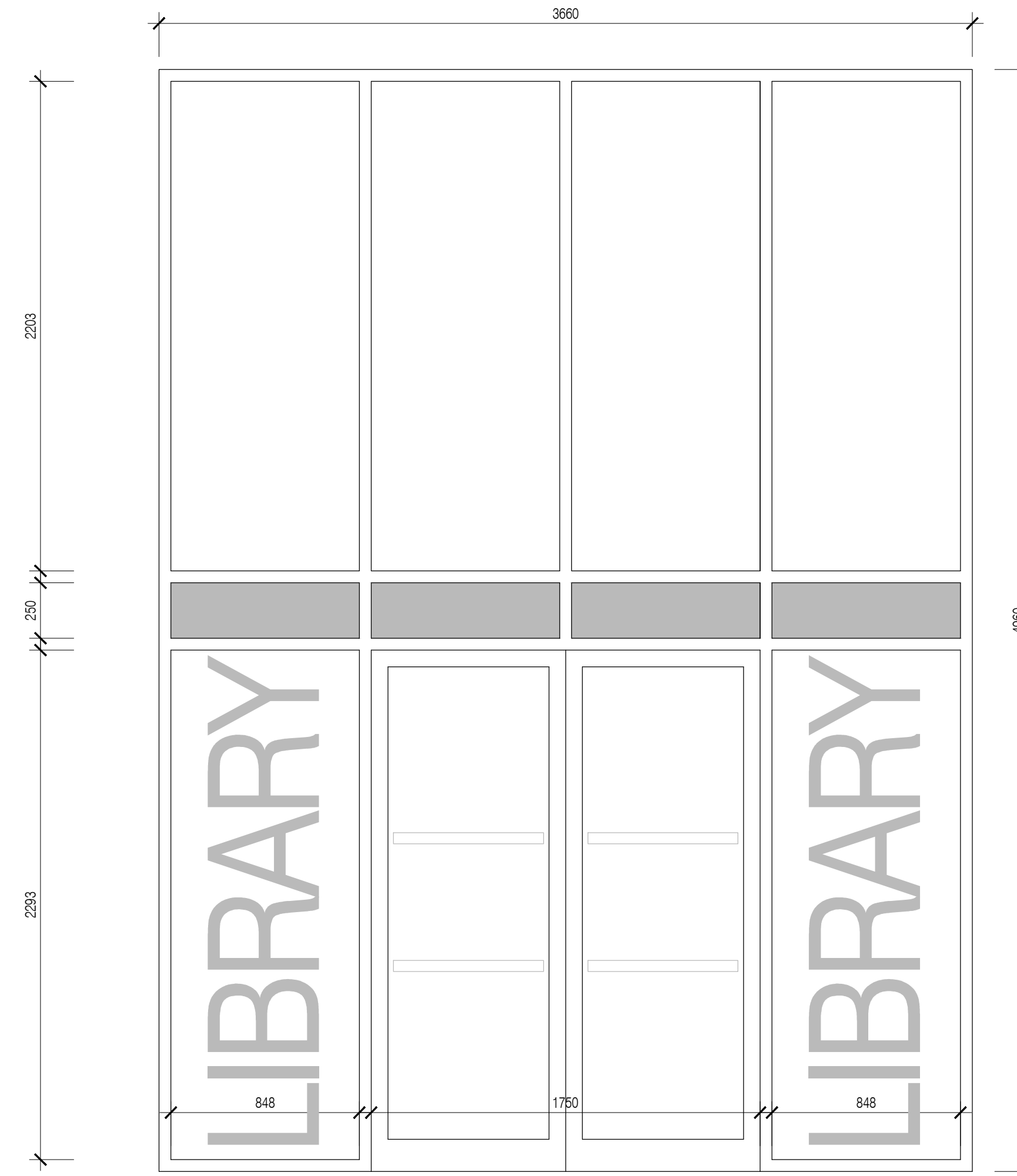
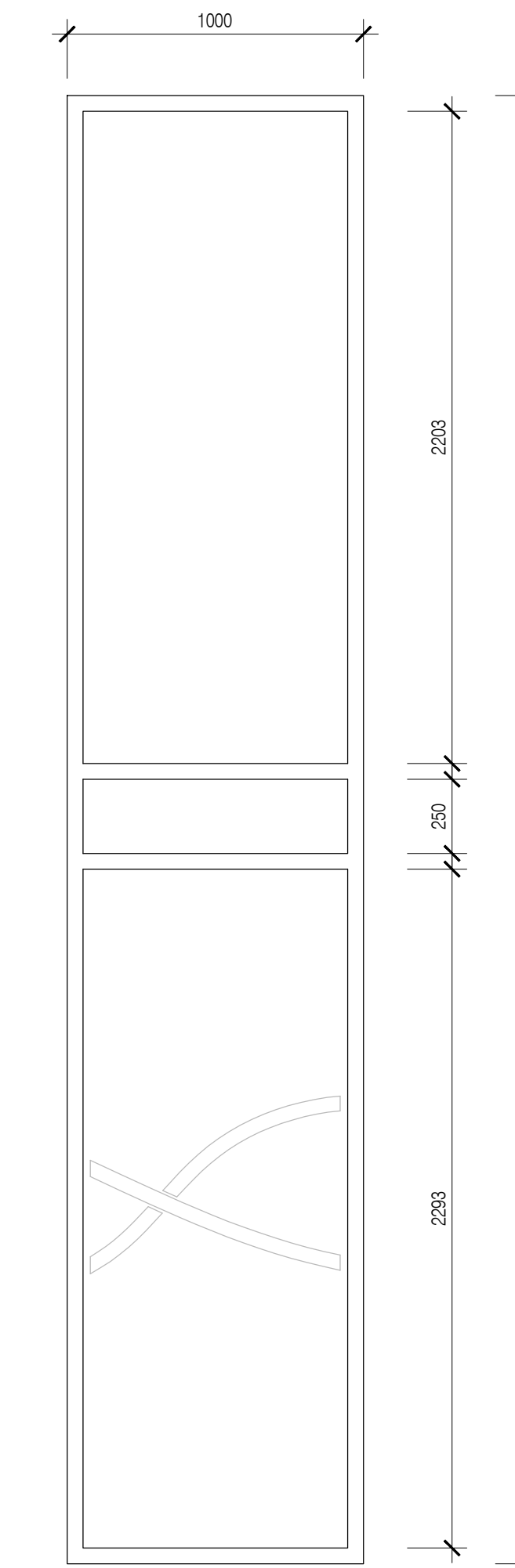


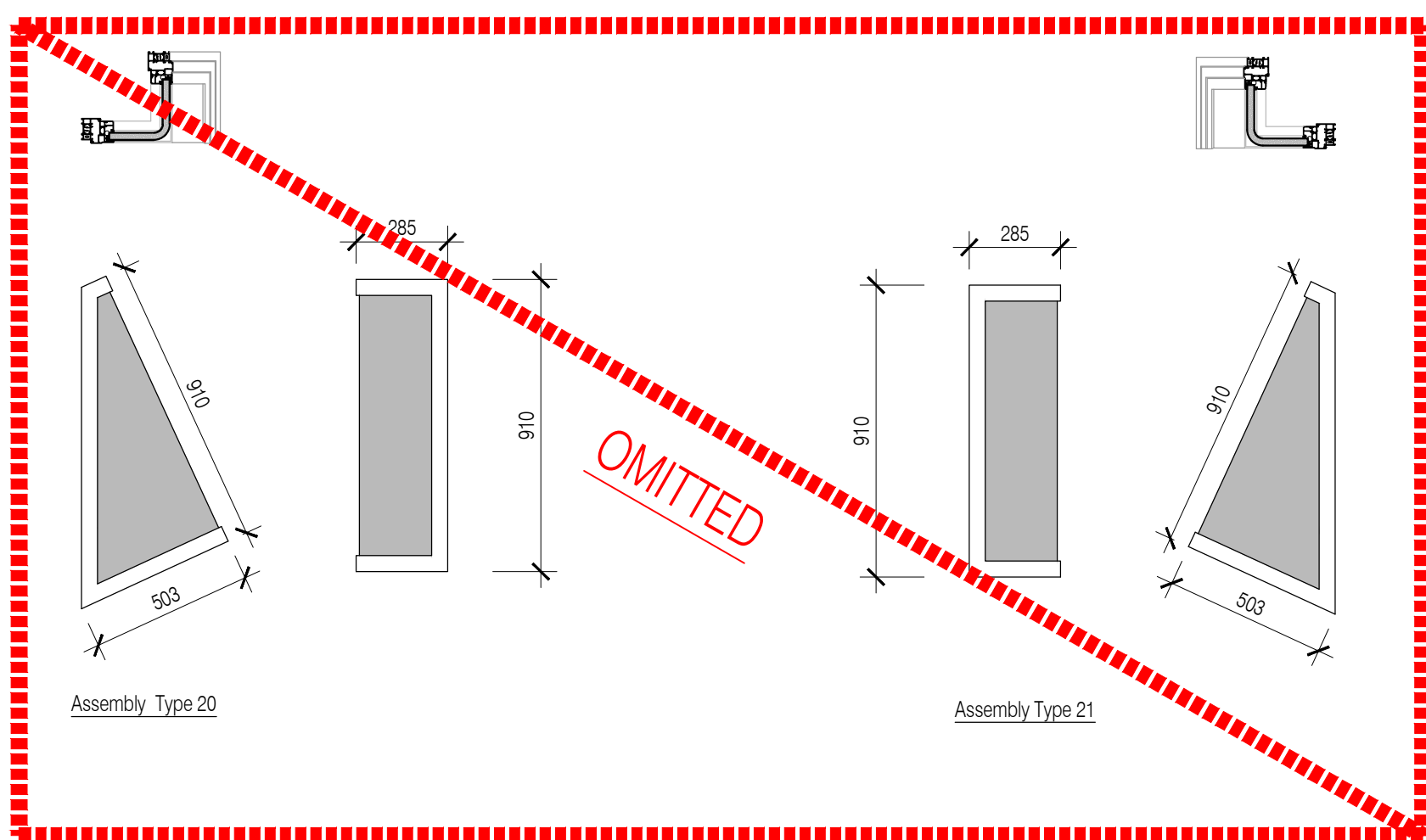
Assembly Type 15



Assembly Type 16

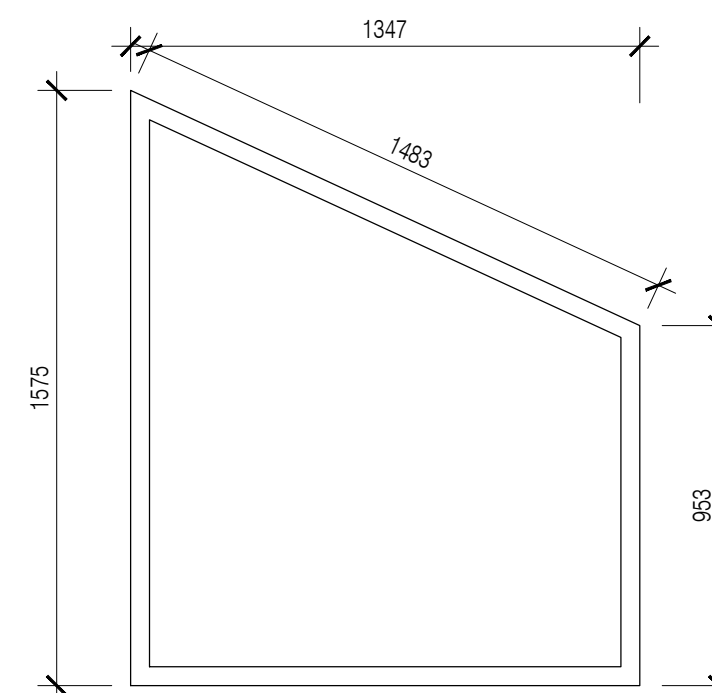


Assembly Type 19

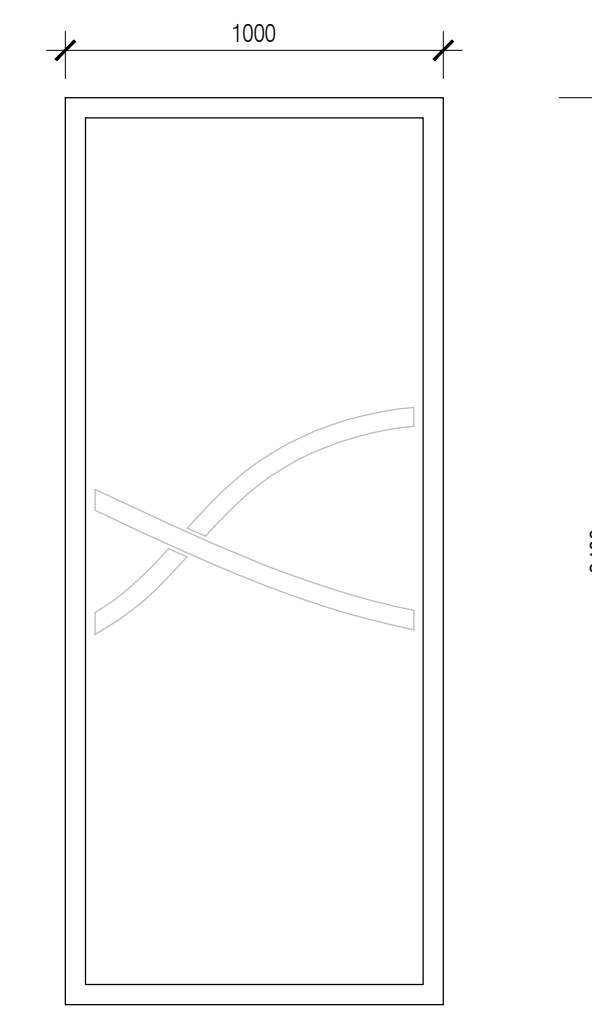


Assembly Type 20

Assembly Type 21



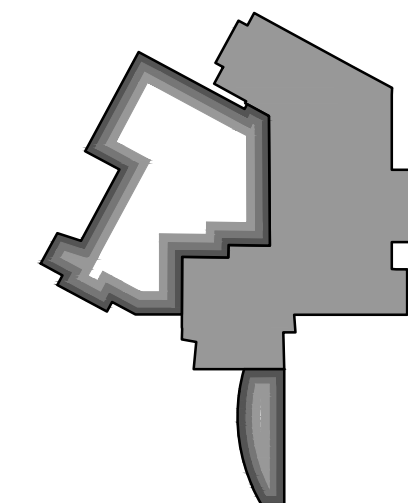
Assembly Type 17



Assembly Type 18

NOTES: Do not scale this drawing. All dimensions to be checked on site prior to commencement or manufacture.

Key Plan (n/s)



ISSUED FOR CONSTRUCTION

Rev	Date	By	Chk	Comment
C3	28.01.14	CH	AC	Manifestation adjusted
C2	27.01.13	CH	AC	Manifestation adjusted
C1	03.07.13	FRK	JAS	Issued for CONSTRUCTION

BRINGING IDEAS TO LIFE



FRANKHAM

Frankham Consultancy Group Limited  
21 Parnmount Road  
Haywards Heath RH16 3TP  
t 01444 444900 f 01444 455642  
enquire@frankham.com  
www.frankham.com



Client  
Ealing  
www.ealing.gov.uk

Project Title  
Dominion Arts Centre  
Southall  
London

Drawing Title  
Window Elevations  
3 of 4

Drawn by: FRK Scale: 1:20@A1 Date: 24.03.13

Designed by: FCG Checked by: - Approved by: -

File Ref.: 224970-A-362

Drawing No. 224970-A-362 Rev. C3