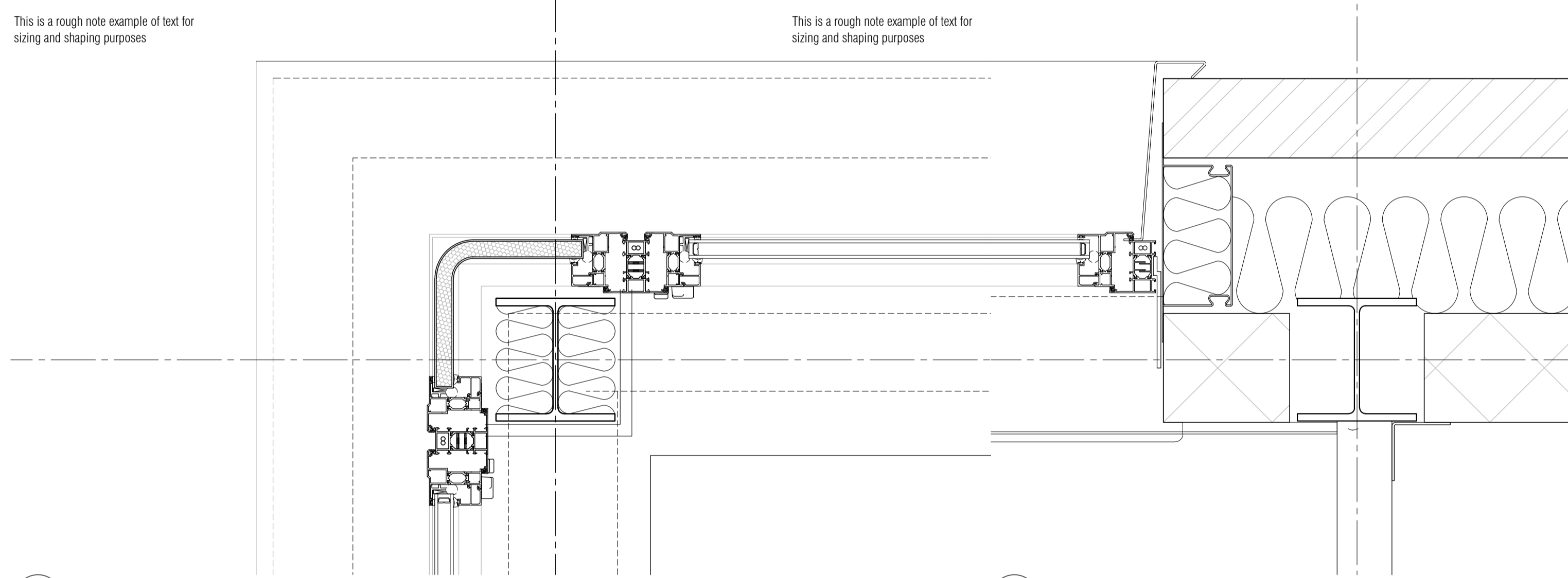
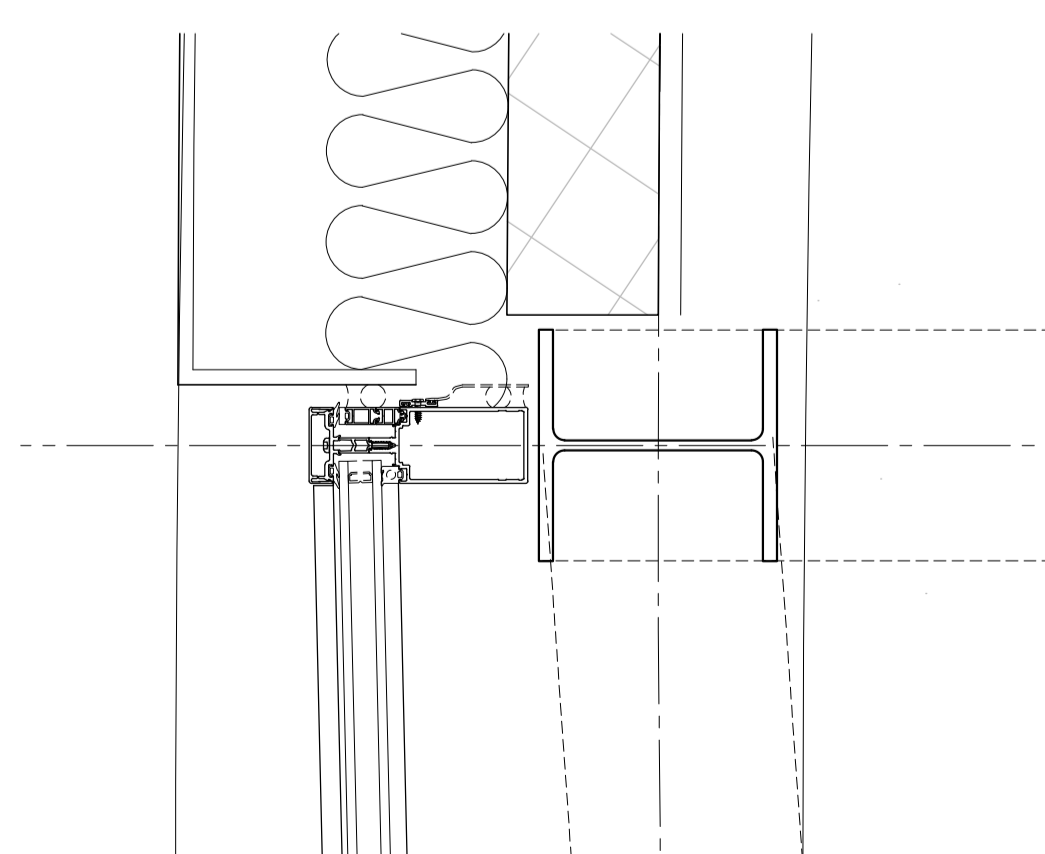


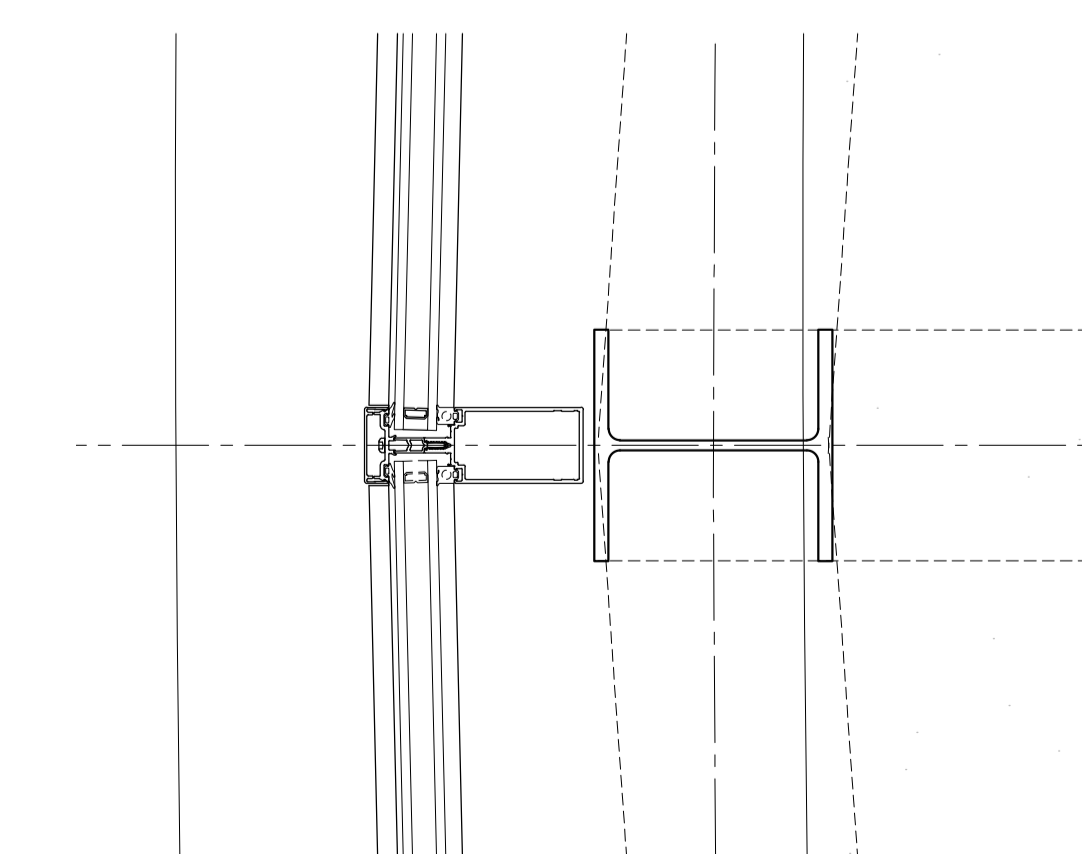
01 Mid Level External Corner GL A1 Trespa Cladding Detail
Scale: 1:5



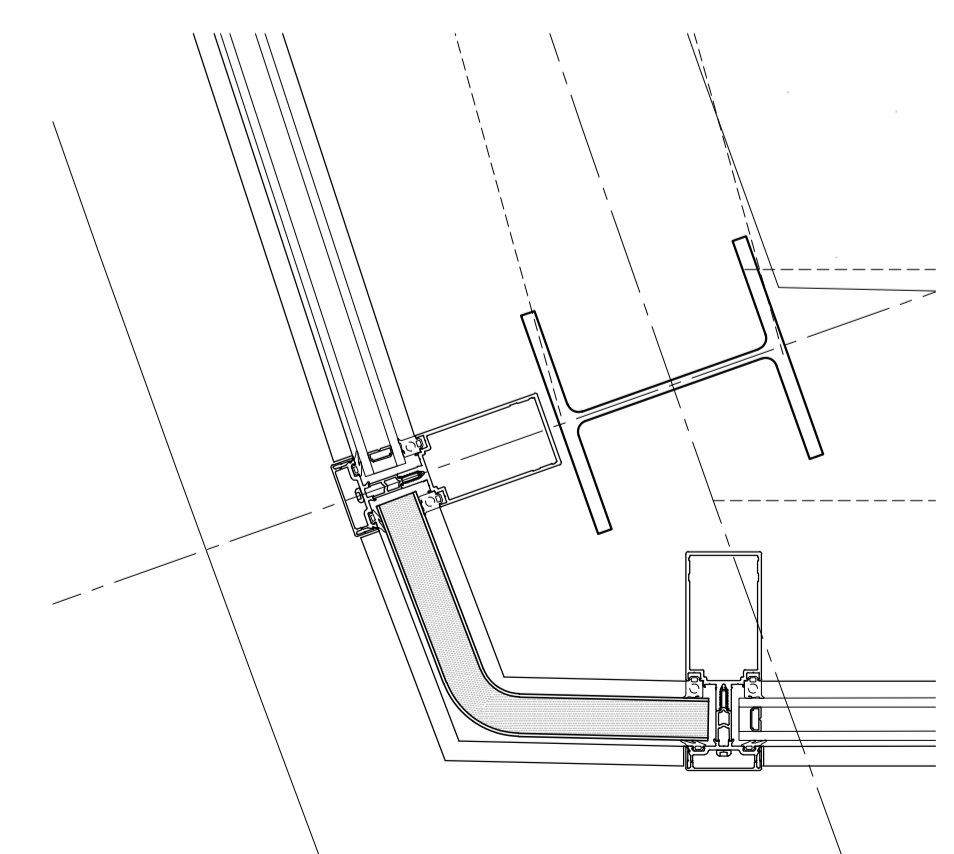
02 High Level External Corner GL A1 Spandrel Cladding Detail
Scale: 1:5



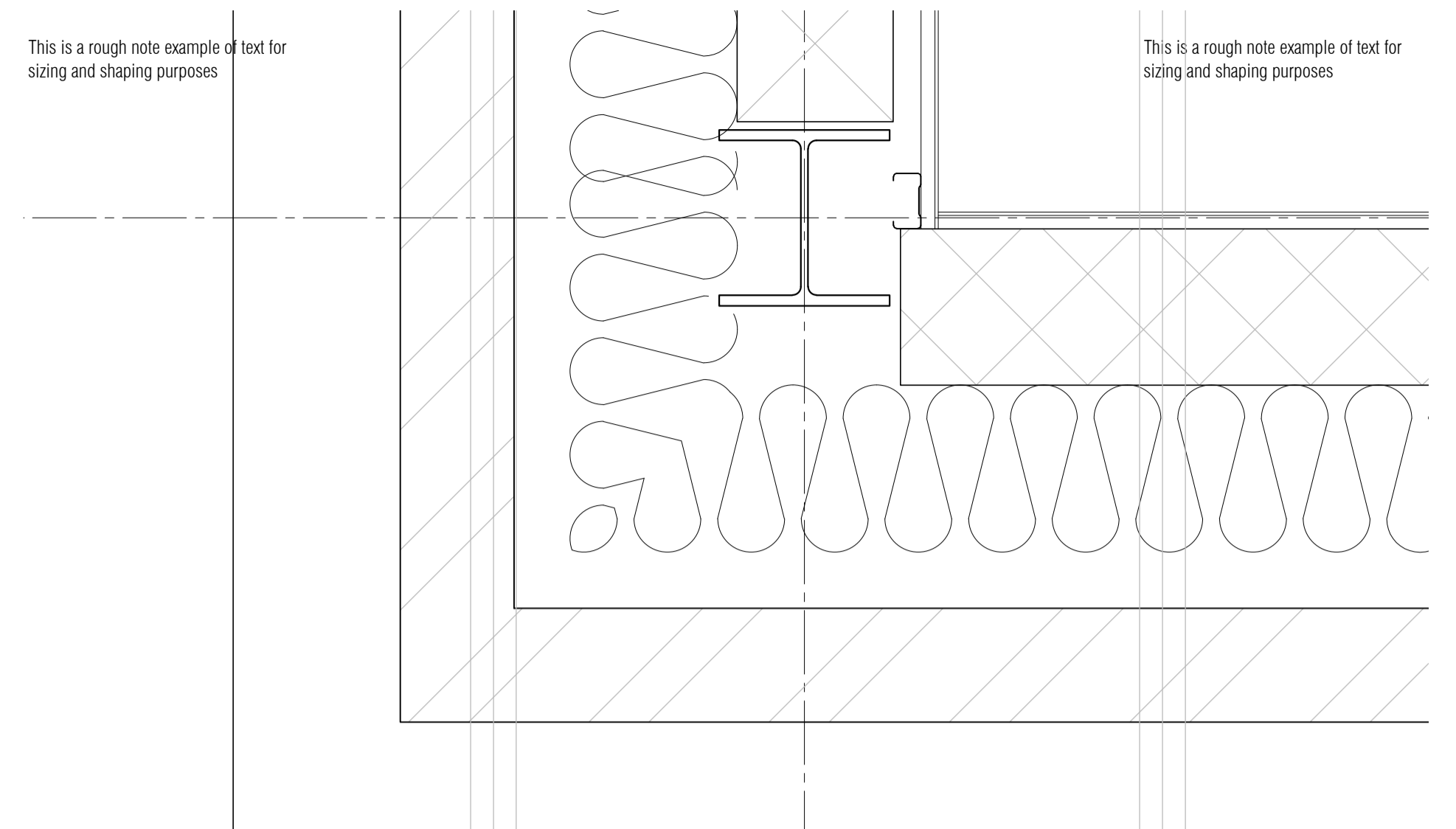
10 Trespa Interface with Kawneer Cafe Curtain Walling
Scale: 1:5



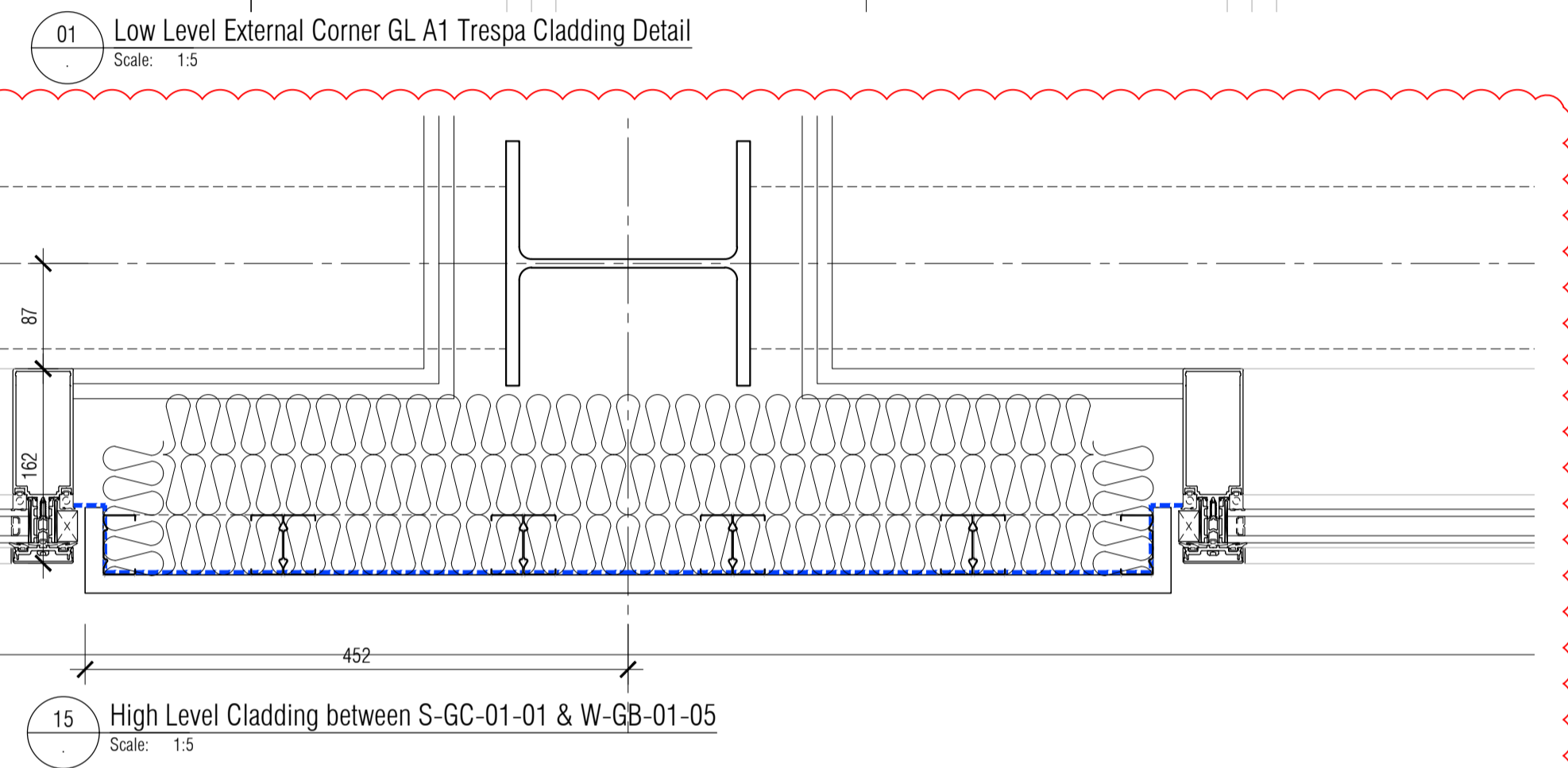
11 Mullion of Faceted Kawneer Cafe Curtain Walling
Scale: 1:5



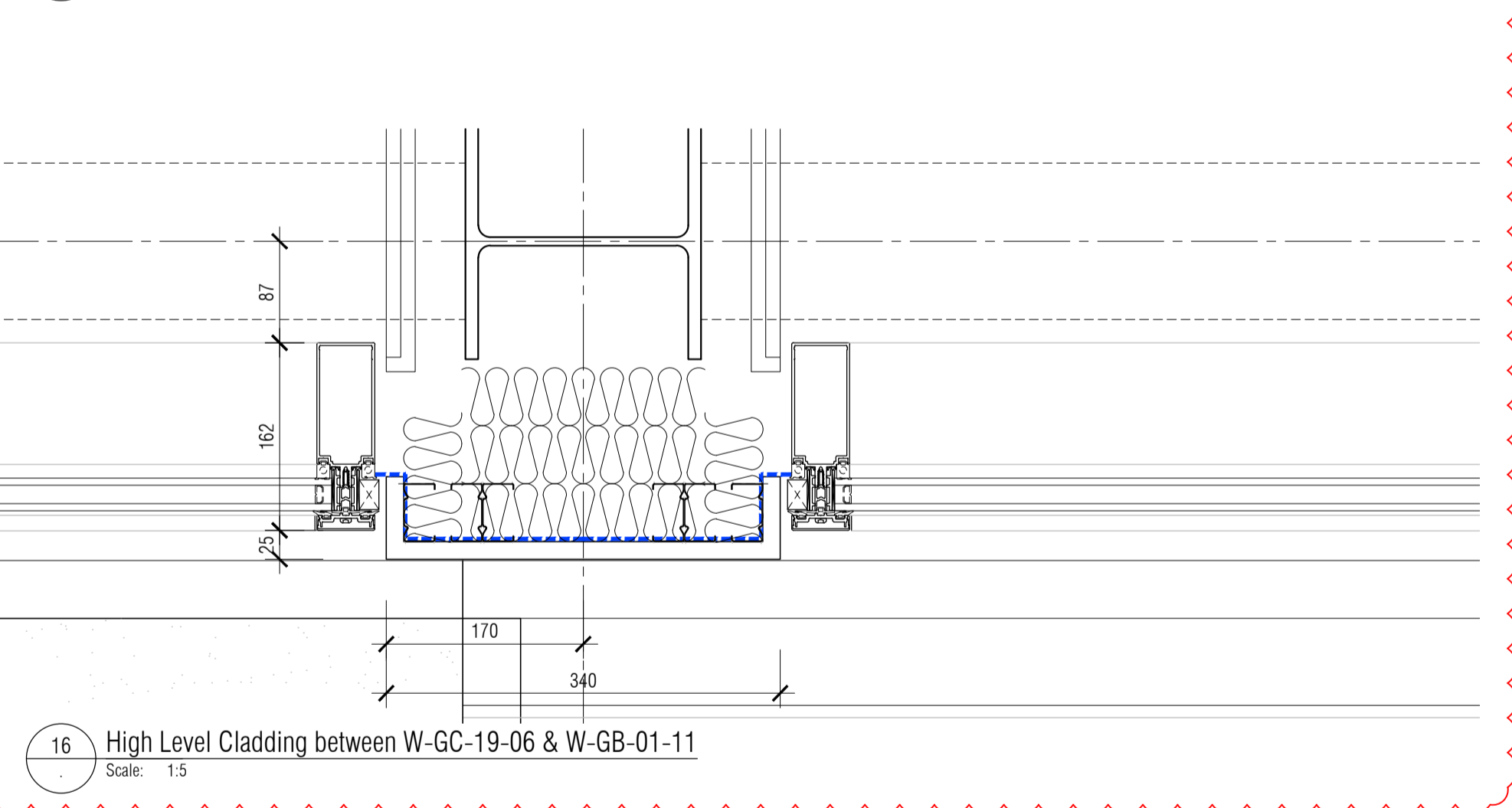
12 Spandrel Return of Kawneer Cafe Curtain Walling
Scale: 1:5



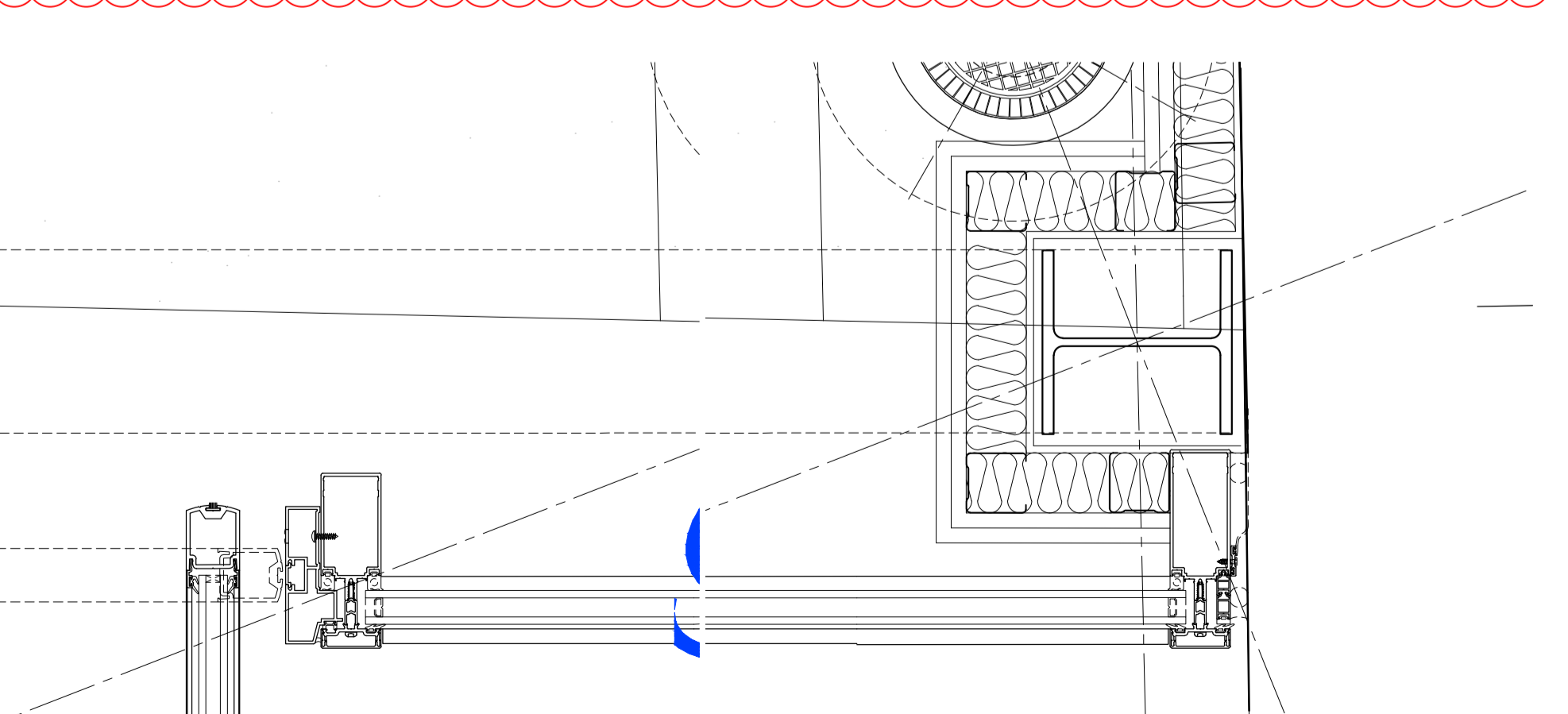
03 Mid Level Brickwork / Trespa Cladding Detail
Scale: 1:5



04 High Level Ribbon Glazing / Brickwork Detail
Scale: 1:5



15 High Level Cladding between S-GC-01-01 & W-GB-01-05
Scale: 1:5



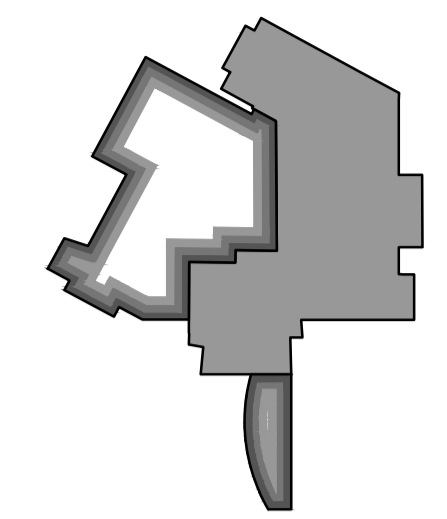
16 High Level Cladding between W-GC-19-06 & W-GB-01-11
Scale: 1:5

13 Door Jamb of Kawneer Cafe Curtain Walling
Scale: 1:5

14 End of Kawneer Cafe Curtain Walling to Existing Adjacent Wall
Scale: 1:5

NOTES: Do not scale this drawing. All dimensions to be checked on site prior to commencement or manufacture.


Key Plan (n/s)



ISSUED FOR CONSTRUCTION

Rev	Date	By	CHK	Comment
C2	08.01.14	CH	AC	ISSUED FOR CONSTRUCTION
C1	03.07.13	FRKC	JAS	Issued for CONSTRUCTION

BRINGING IDEAS TO LIFE



FRANKHAM

Frankham Consultancy Group Limited
21 Pymms Road
Haywards Heath RH16 3TP
t 01444 444900 f 01444 455642
enquire@frankham.com
www.frankham.com

Client



www.ealing.gov.uk

Project Title

Dominion Arts Centre
Southall
London

Drawing Title

Plan
Details

Drawn by: RKC	Scale: 1:50@A1	Date: 13.03.13
Designed by: FCG	Checked by: JAS	Approved by: AGC

File Ref.: C:\WORKING\131416\DOMINION ARTS CENTRE\A42_01_01_13\DWG\131416_01_01_13.dwg	Rev: C2
Drawing No. 224970-A-400	