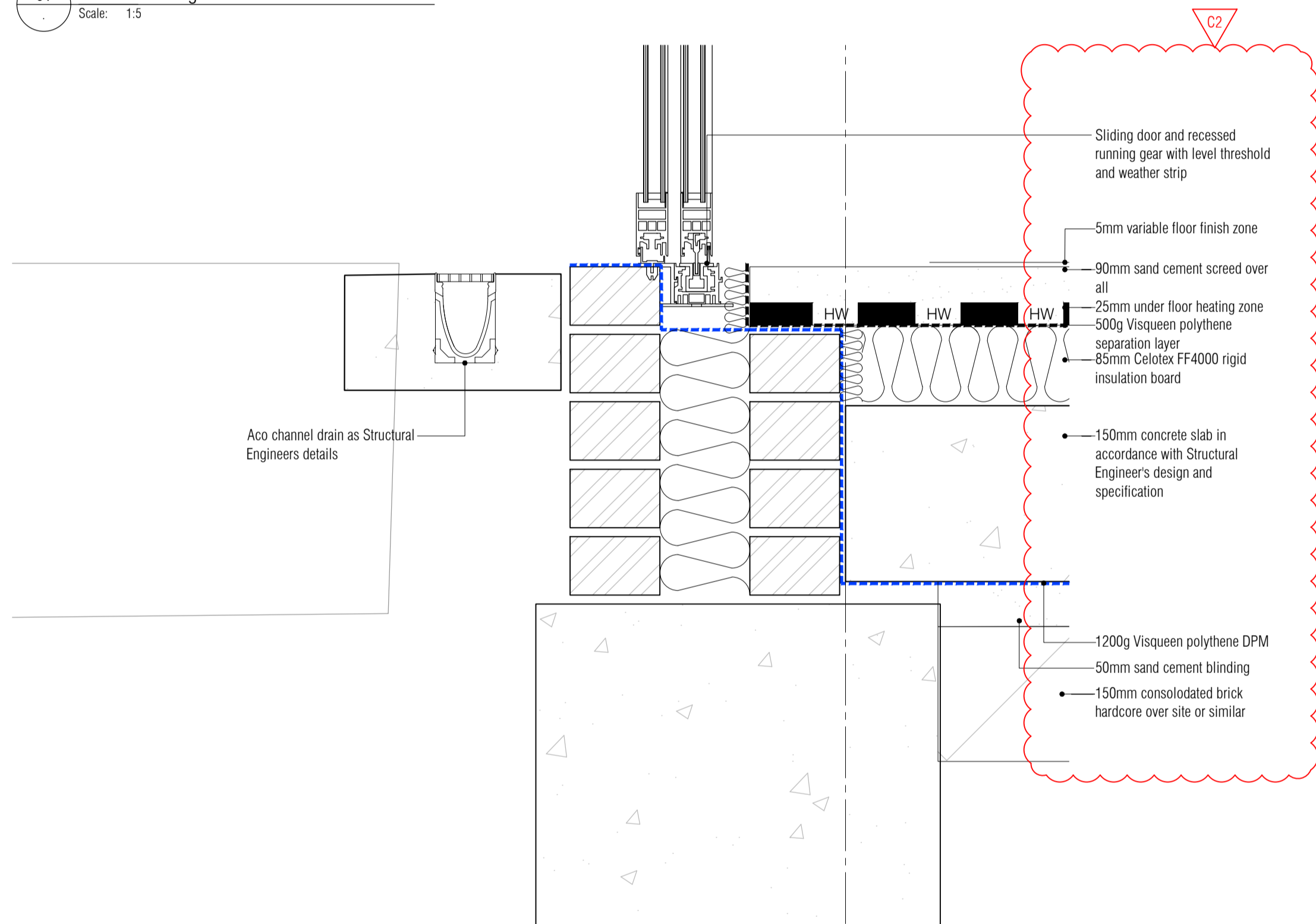
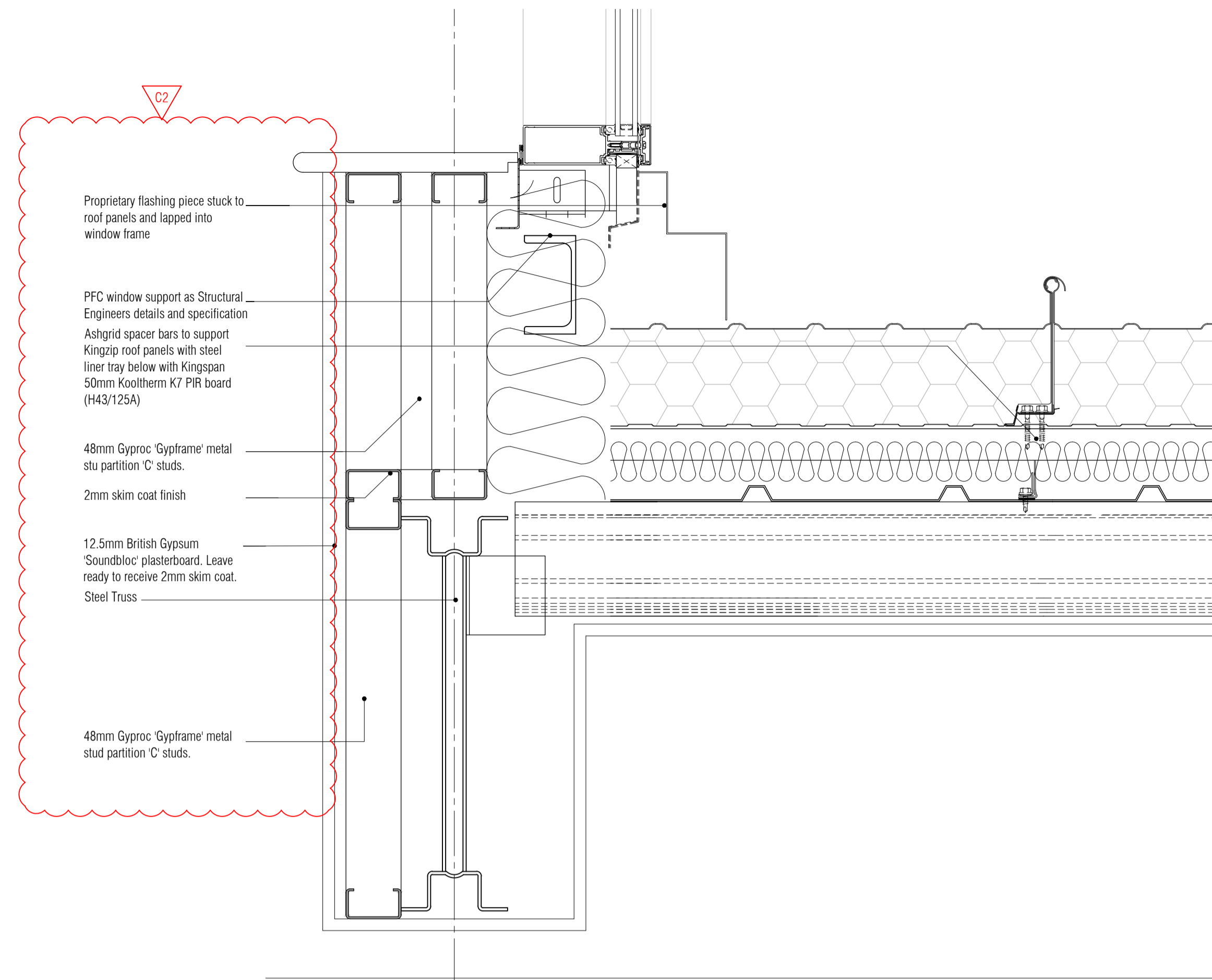


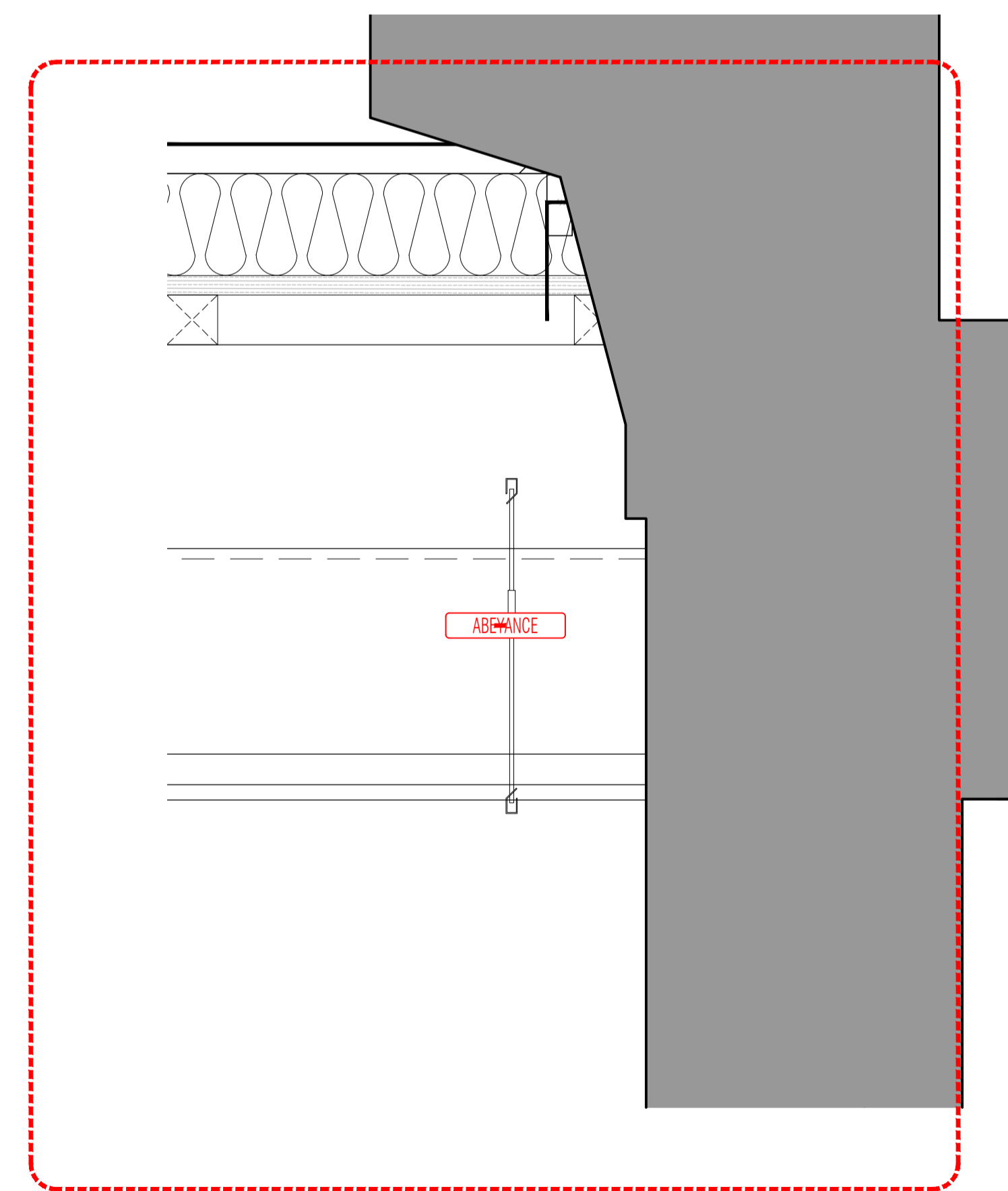
01 Curtain Walling Entrance Door & Heater Detail  
Scale: 1:5



02 Entrance Door Cill Detail  
Scale: 1:5



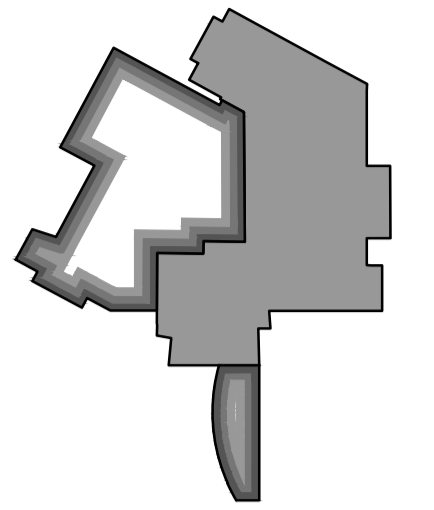
03 High Level Curtain Walling Cill / Pitched Roof Detail  
Scale: 1:5



04 Flat Roof / Existing Bay Window Detail  
Scale: 1:5

NOTES: Do not scale this drawing. All dimensions to be checked on site prior to commencement or manufacture.

Key Plan  
(n/s)



ISSUED FOR CONSTRUCTION

Rev	Date	By	CHK	Comment
C2	07.10.13	CH	AC	Annotation added
C1	03.07.13	RKC	JAS	Issued for CONSTRUCTION

BRINGING IDEAS TO LIFE



FRANKHAM

Frankham Consultancy Group Limited  
21 Perrymount Road  
Haywards Heath RH16 3TP  
t 01444 444900 f 01444 455642  
enquire@frankham.com  
www.frankham.com



Client  
Dominion Arts Centre  
Southall  
London

Drawing Title  
General  
Roof Interface  
Arrangement  
Details

Drawn by: RKC	Scale: 1:5@A1	Date: 06.02.13
Designed by: FCG	Checked by: JAS	Approved by: AGC

File Ref.: 224970-A-426

Drawing No. 224970-A-426	Rev. C2
-----------------------------	------------