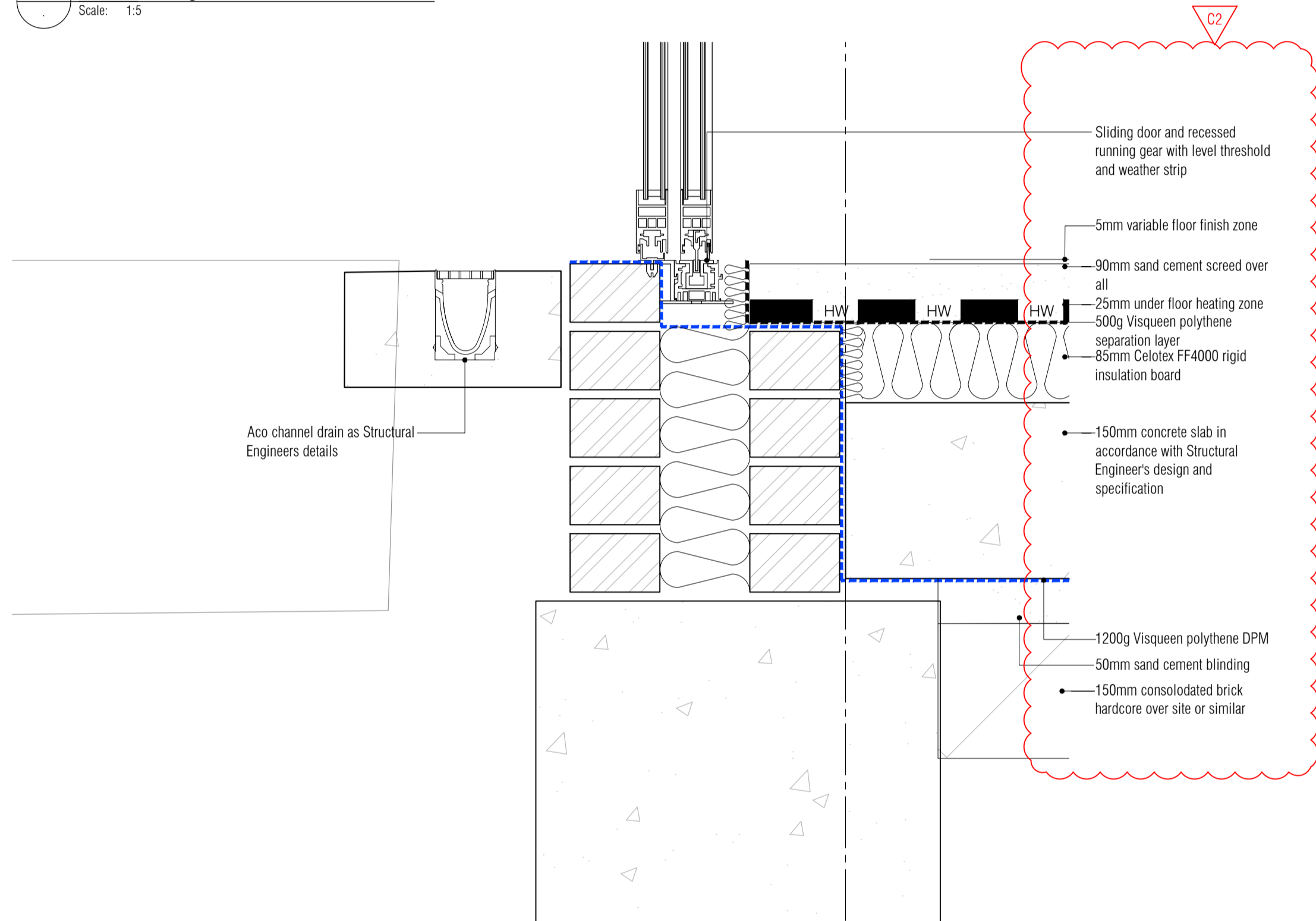


Steel SHS to Structural Engineers detail as support to above door heater to Mechanical Engineers details

Aluminium flashing piece with 2no. 90mm rigid insulation with vapour control layer taped to insulation

Sliding door and recessed running gear with level threshold and weather strip

01 Curtain Walling Entrance Door & Heater Detail  
Scale: 1:5



Aco channel drain as Structural Engineers details

Sliding door and recessed running gear with level threshold and weather strip

5mm variable floor finish zone

90mm sand cement screed over all

25mm under floor heating zone

500g Visqueen polythene separation layer

85mm Celotex FF4000 rigid insulation board

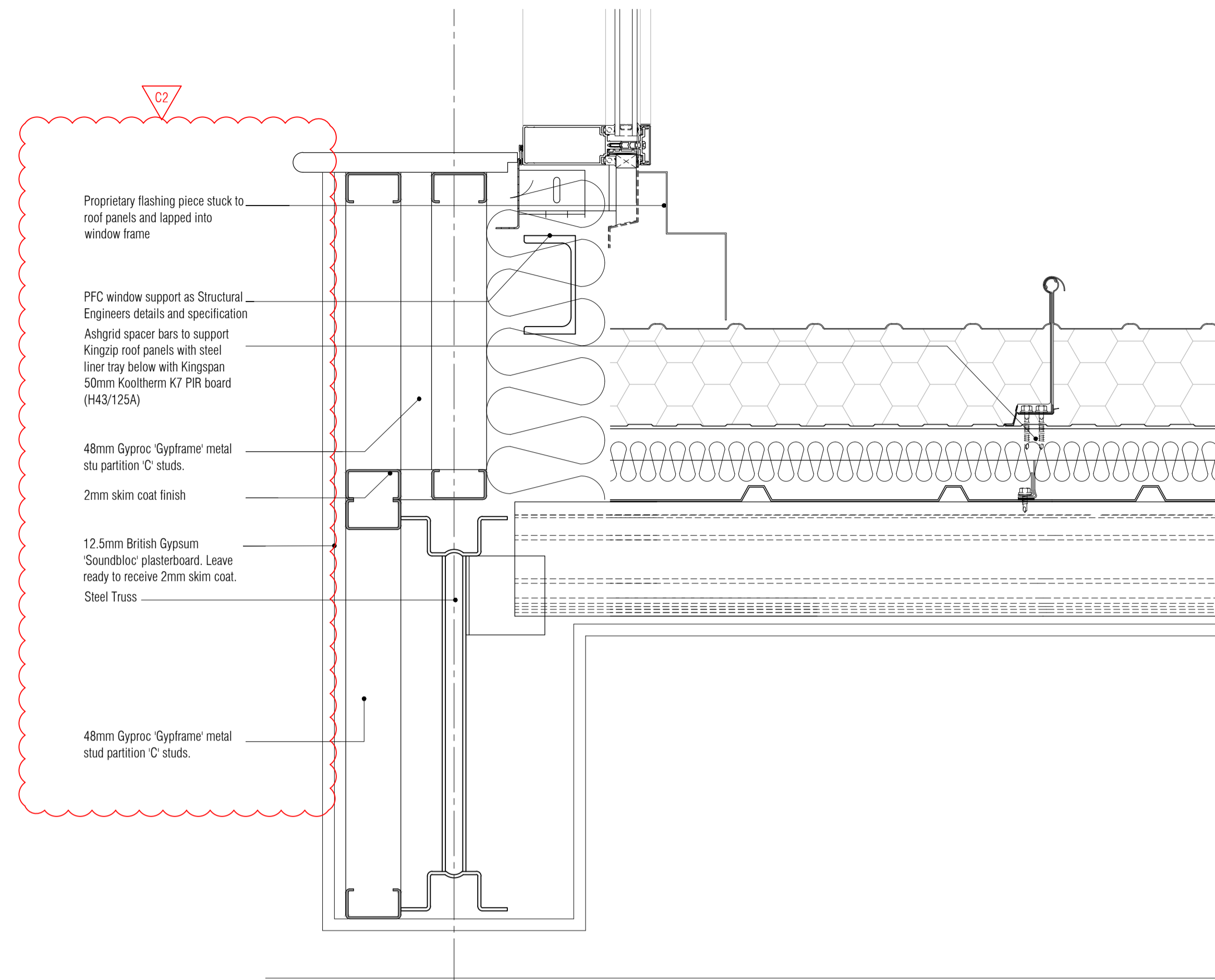
150mm concrete slab in accordance with Structural Engineer's design and specification

1200g Visqueen polythene DPM

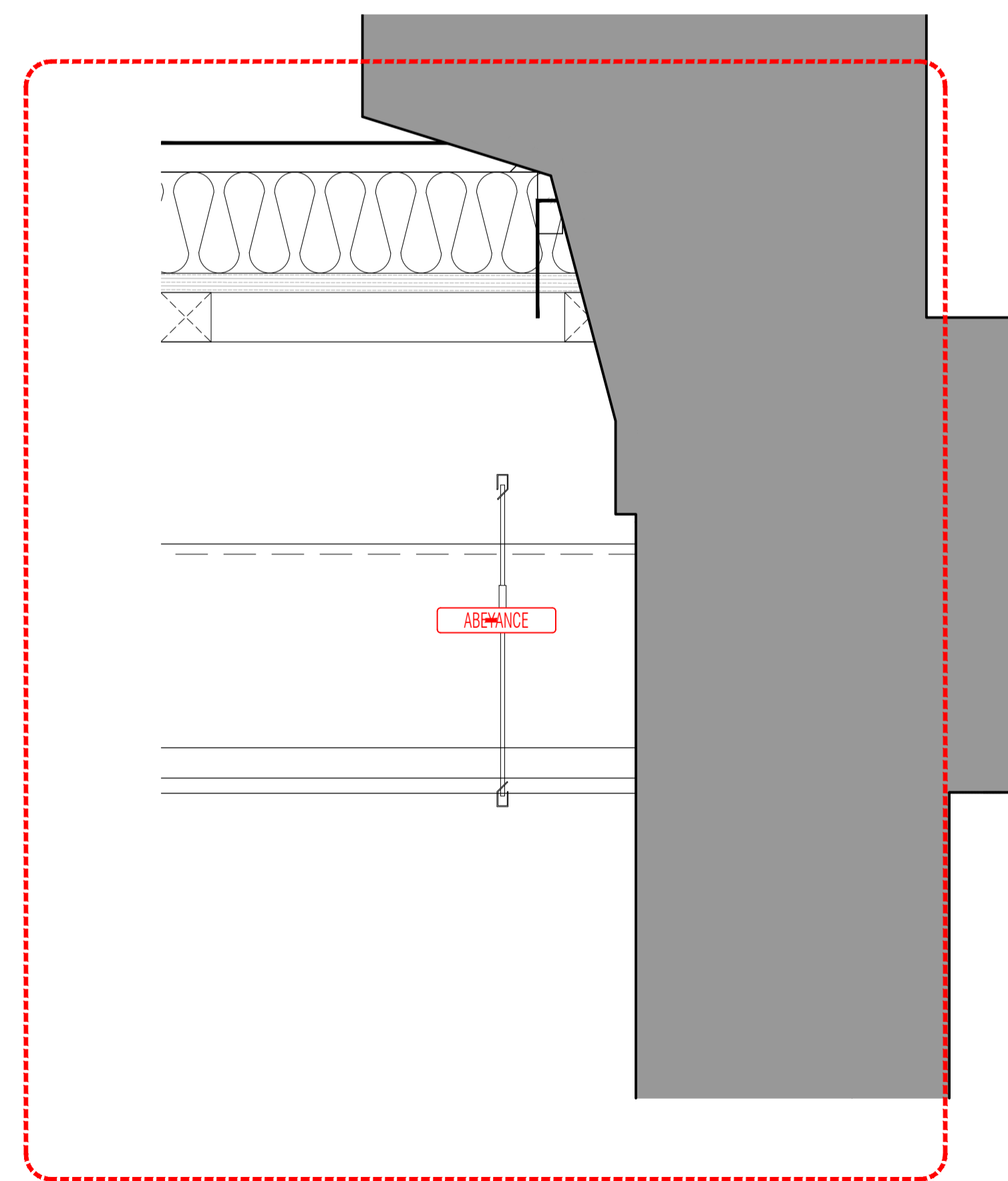
50mm sand cement blinding

150mm consolidated brick hardcore over site or similar

02 Entrance Door Cill Detail  
Scale: 1:5



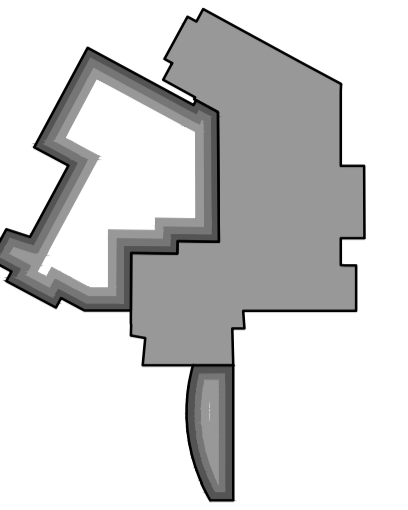
03 High Level Curtain Walling Cill / Pitched Roof Detail  
Scale: 1:5



04 Flat Roof / Existing Bay Window Detail  
Scale: 1:5

NOTES: Do not scale this drawing. All dimensions to be checked on site prior to commencement or manufacture.

Key Plan  
(n/s)



ISSUED FOR CONSTRUCTION

Rev	Date	By	CHK	Comment
C2	07.10.13	CH	AC	Annotation added
C1	03.07.13	RKC	JAS	Issued for CONSTRUCTION

BRINGING IDEAS TO LIFE



FRANKHAM

Frankham Consultancy Group Limited  
21 Perrymount Road  
Haywards Heath RH16 3TP  
t 01444 444900 f 01444 455642  
enquire@frankham.com  
www.frankham.com

Client  
  
www.ealing.gov.uk

Project Title  
Dominion Arts Centre  
Southall  
London

Drawing Title  
General  
Roof Interface  
Arrangement  
Details

Drawn by: RKC	Scale: 1:5@A1	Date: 06.02.13
Designed by: FCG	Checked by: JAS	Approved by: AGC

File Ref.: 224970-A-429

Drawing No. 224970-A-429	Rev. C2
-----------------------------	------------