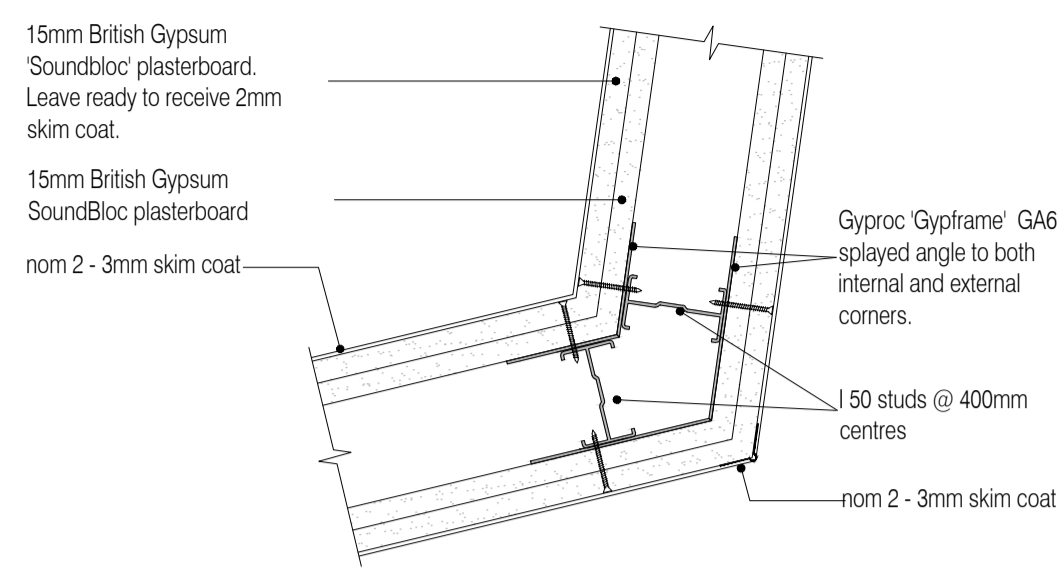
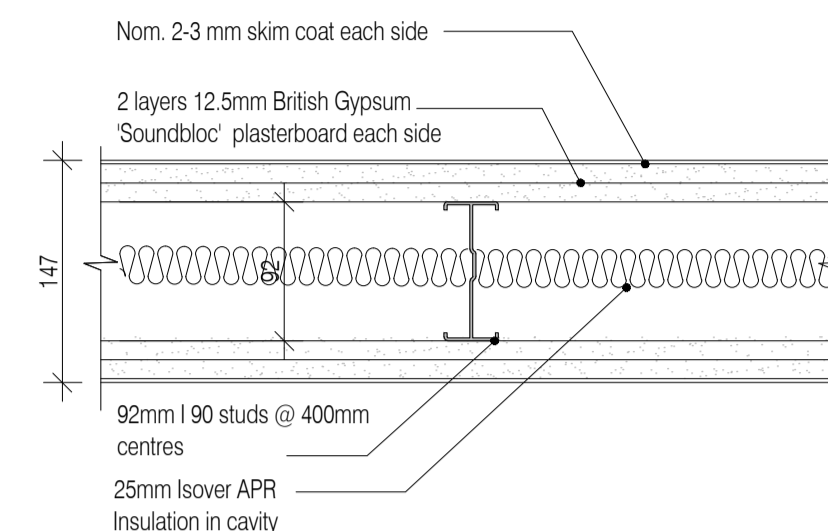


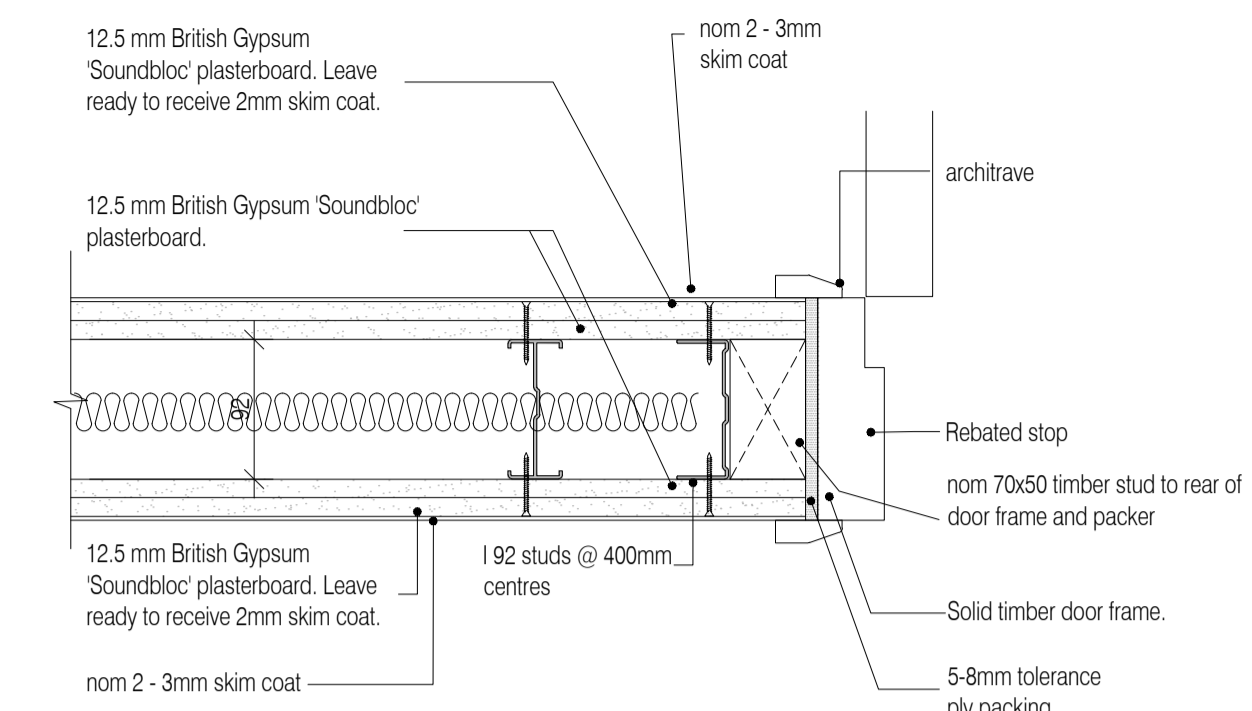
01 Typical junction detail Wall Type C
Scale: 1:5



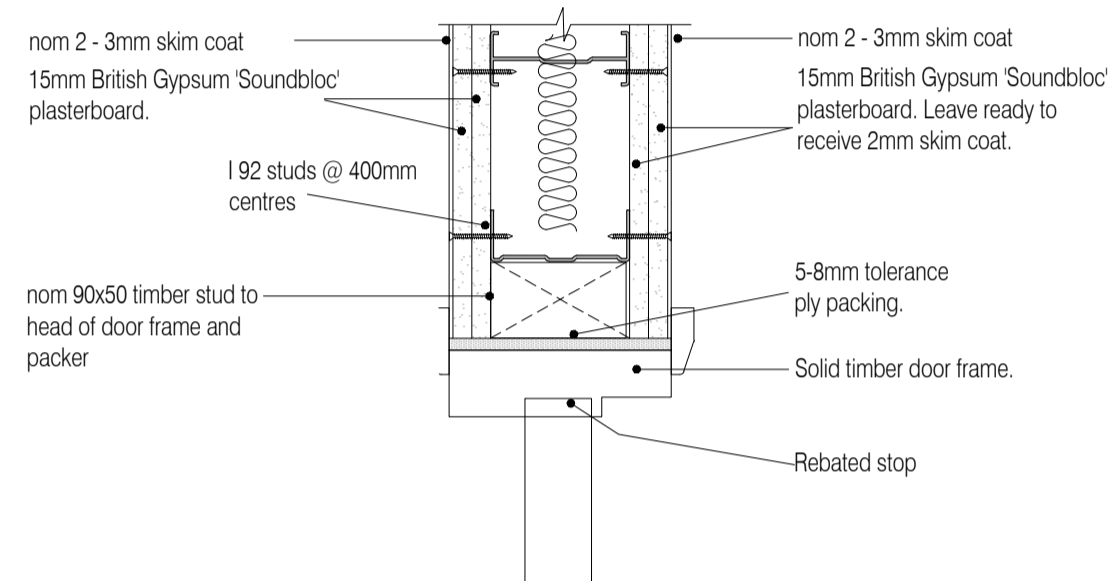
02 Typical splayed angled corner detail. (Wall Type C)
Scale: 1:5



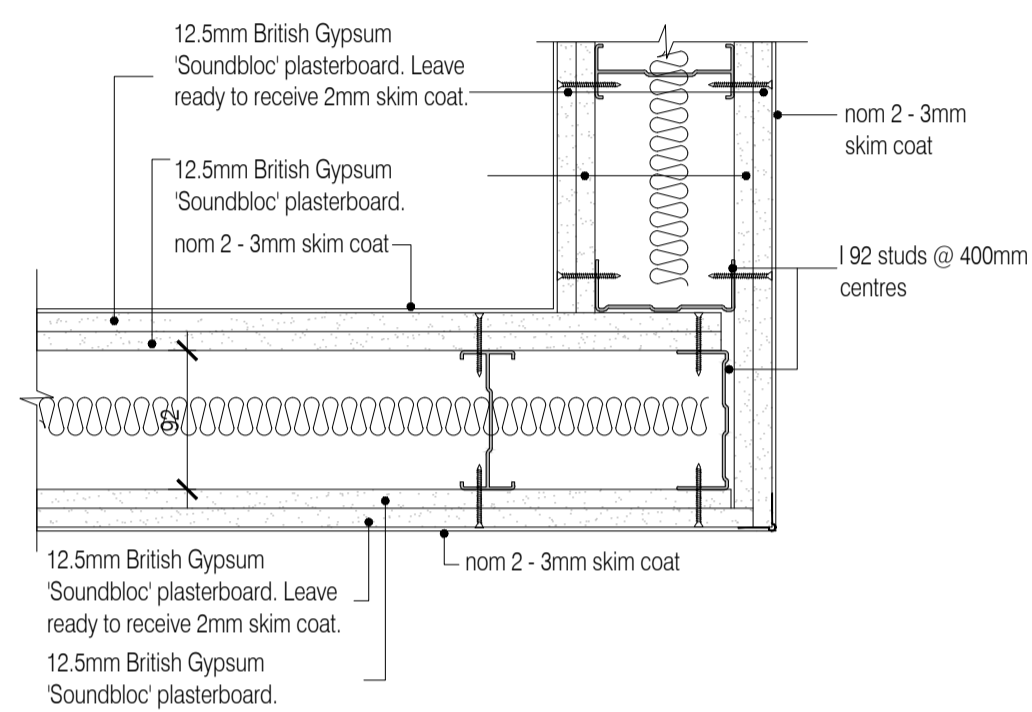
03 Typical locations - corridors/stores (Wall Type D)
Scale: 1:5



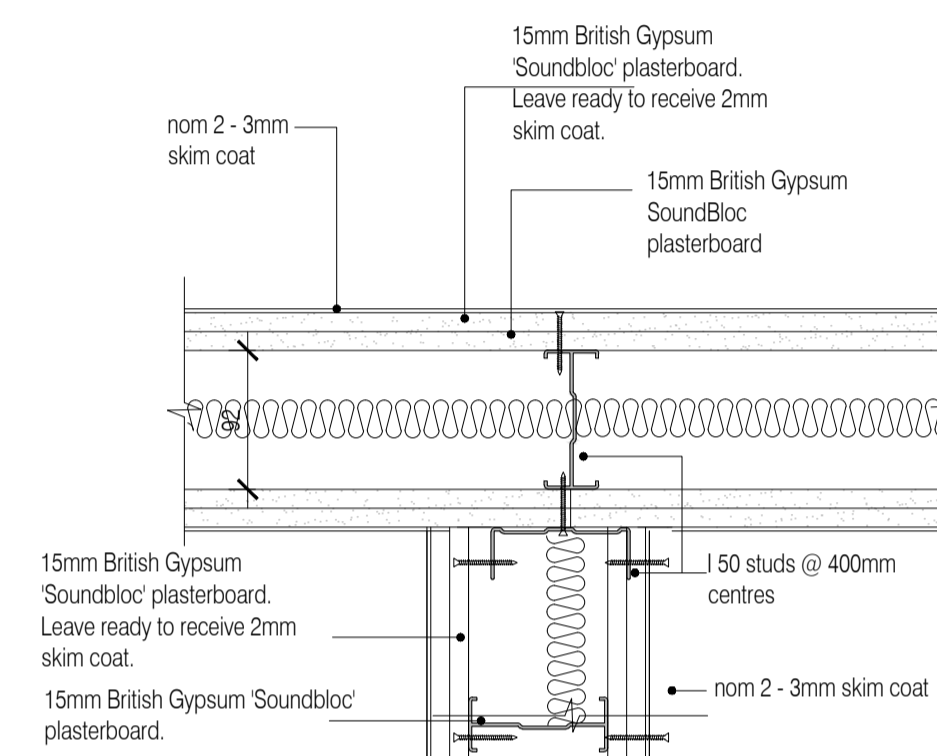
04 Typical locations - corridors/stores (Wall Type D Door frame detail)
Scale: 1:5



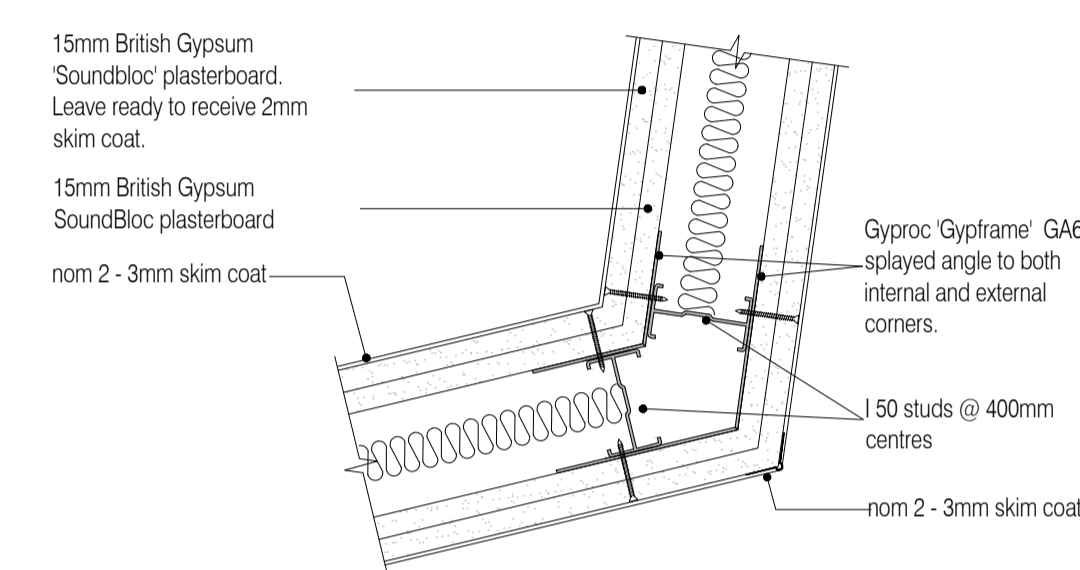
05 Typical door head detail Wall Type D
Scale: 1:5



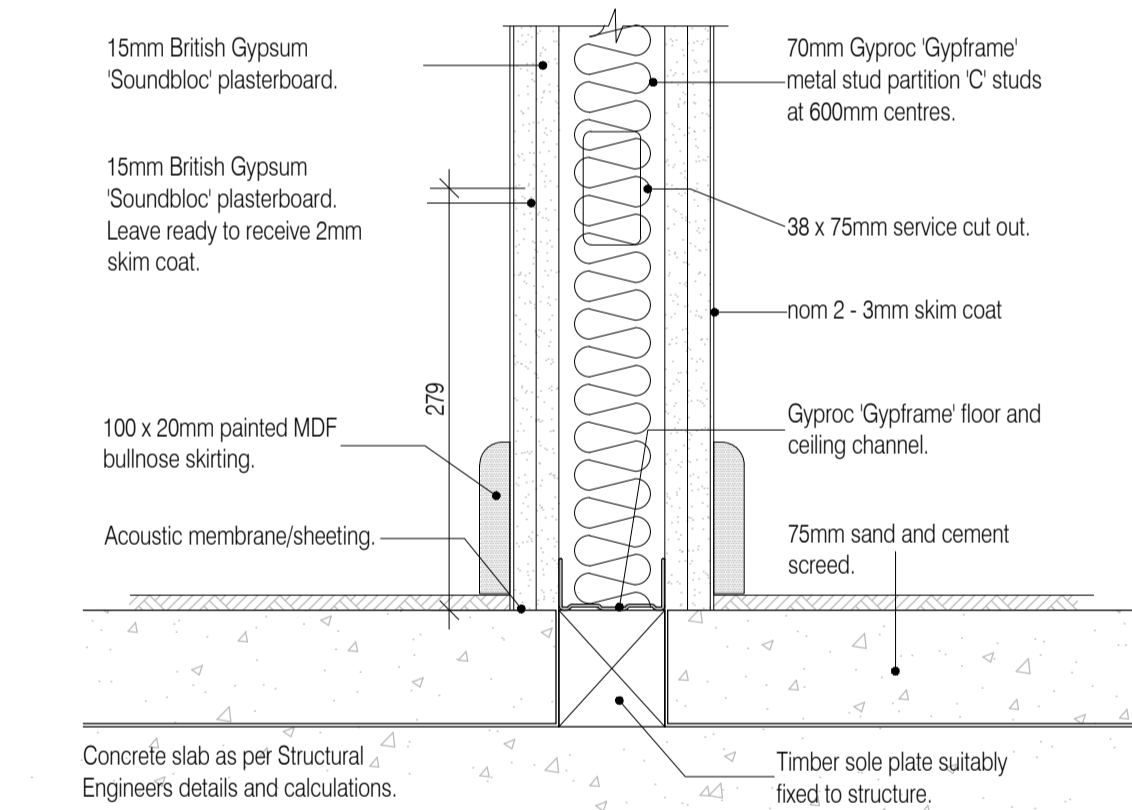
06 Typical corner detail Wall Type D
Scale: 1:5



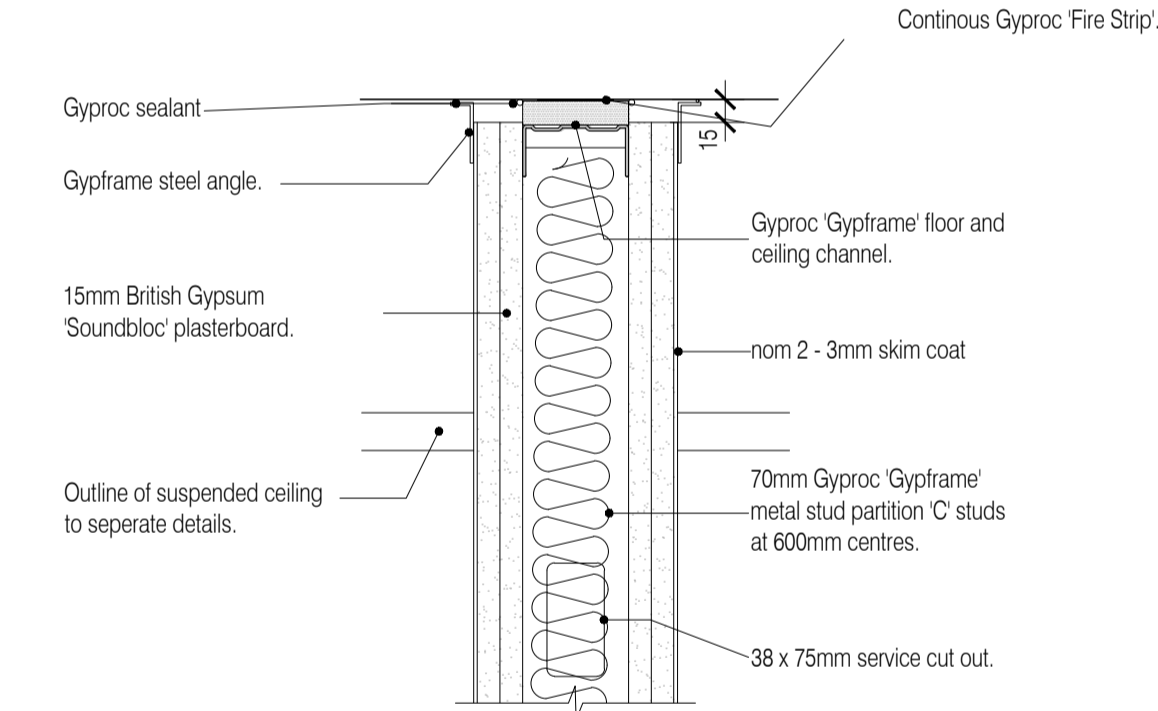
07 Typical junction detail Wall Type D
Scale: 1:5



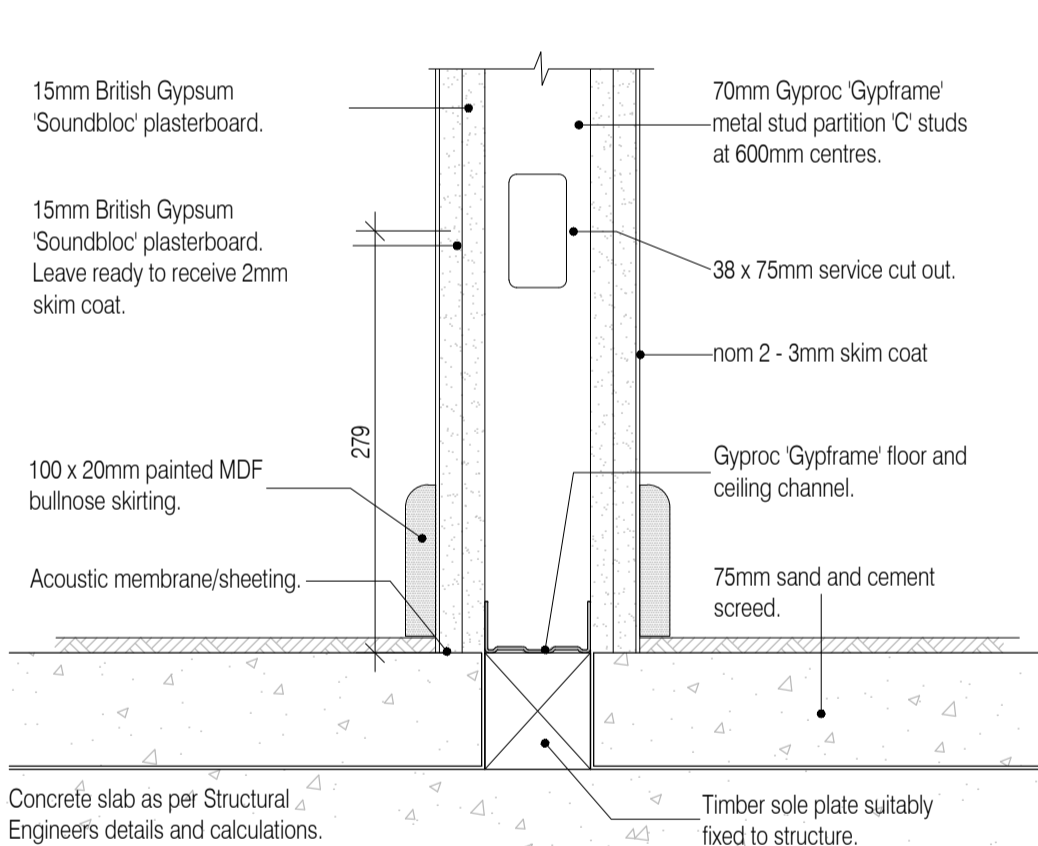
08 Typical splayed angled corner detail. (Wall Type D)
Scale: 1:5



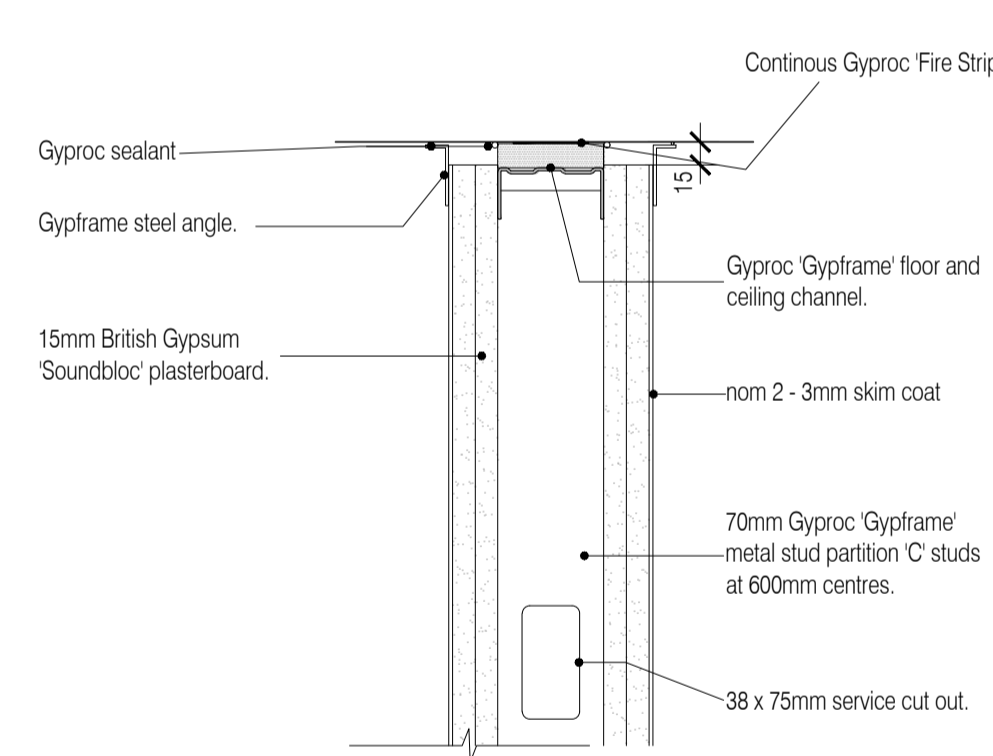
09 Typical Partition Base with Insulation Detail
Scale: 1:5



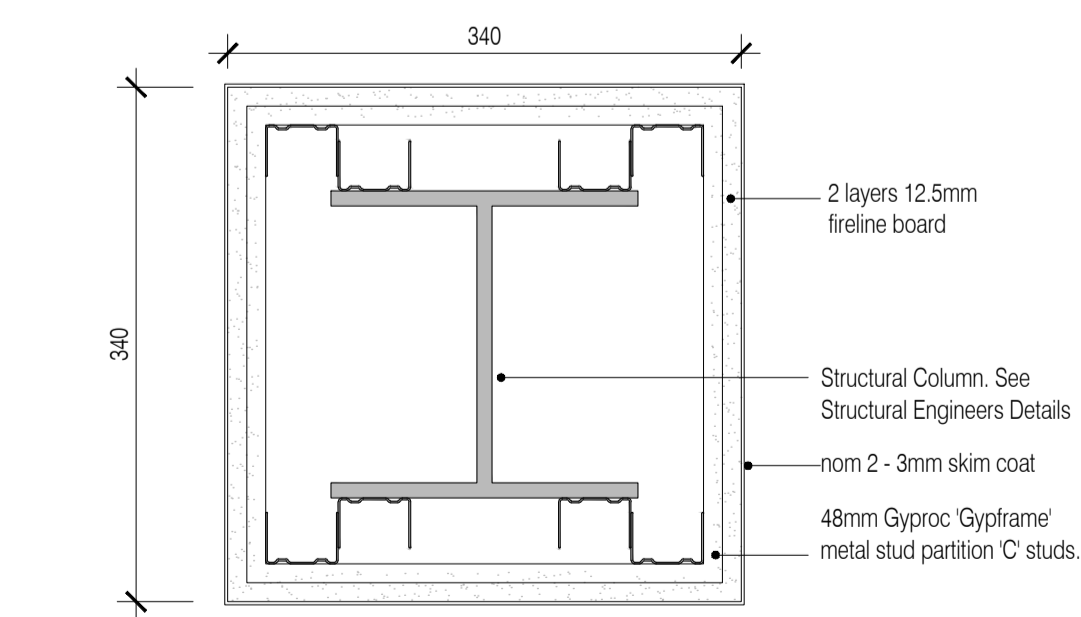
10 Typical Partition Head with Insulation To New Roof Detail
Scale: 1:5



11 Typical Partition Base without Insulation Detail
Scale: 1:5

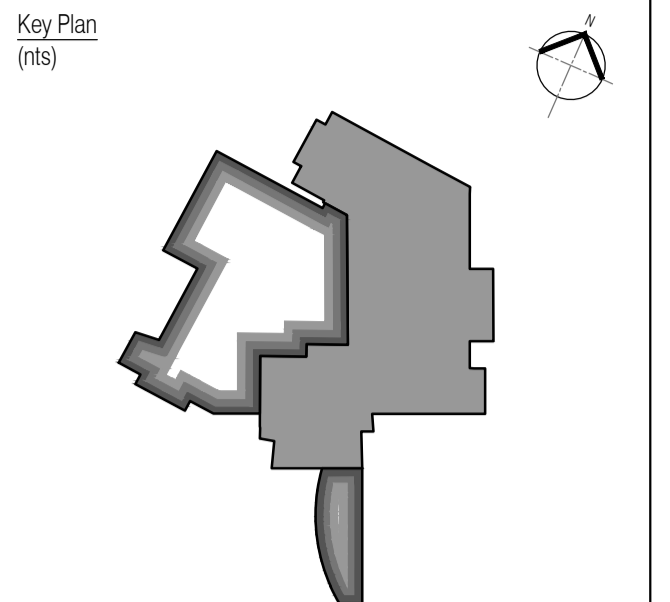


12 Typical Partition Head without Insulation To New Roof Detail
Scale: 1:5



13 Typical Gyplyner Encasement To Steel In library Detail
Scale: 1:5

NOTES: Do not scale this drawing. All dimensions to be checked on site prior to commencement or manufacture.



- Internal Partition Types Legend**
All plasterboard to receive skim coat plaster
- A - 2 layers 15mm soundbloc each side of 70mm C studs @ 600mm centres. 50mm Isover APR 1200 in cavity
 - B - 2 layers 15mm Wallboard each side of 70mm C studs @ 600mm centres.
 - C - 2 layers 15mm soundbloc each side of 70mm I 50 studs @ 400mm centres. 50mm Isover APR 1200 in cavity
 - D - 2 layers 12.5mm soundbloc each side of 92mm I 90 studs @ 300mm centres. 25mm Isover APR 1200 in cavity
 - E - 140mm blockwork w/skim coat
 - F - 2 layers 12.5mm fireline column encasing
 - G - 2 layers 15mm soundbloc each side of 146mm Gyproc studs @ 600mm centres.

- External Wall Types Legend**
- F - Istock facing brick - 50mm clear cavity - 150mm insulation - 140mm blockwork - plaster finish
 - G - Istock facing brick - 50mm clear cavity - 90mm insulation - 140mm blockwork - plaster finish
 - H - Istock facing brick - 50mm clear cavity - 150mm insulation - 140mm blockwork - dry lining - skim finish
 - J - 140mm blockwork - 150mm insulation - 140mm blockwork - plaster finish
 - K - Laminate cladding - 50mm clear cavity - 150mm insulation - 140mm blockwork - plaster finish
 - L - Laminate cladding - 50mm clear cavity - 150mm insulation - 140mm blockwork - dry lining - skim finish
 - M - Istock facing brick - 50mm clear cavity 100mm blockwork N - PPC Metal Louvres
 - P - Dry lined with 2 layers 12.5mm soundbloc and 50mm Isover APR 1200 in cavity
 - Q - Brick to match extg - 25mm cavity - 90mm insulation - 100mm blockwork - plaster finish
 - R - Plaster - 100mm blockwork - 100mm clear cavity - 100mm blockwork - Plaster

NB: All steelwork to be erected in accordance with Structural Engineers design and specification. For all steelwork information inc. bracing, refer to Structural Engineers drawings

ISSUED FOR CONSTRUCTION

Rev	Date	By	CHK	Comment
C1	03.07.13	RKC	JAS	Issued for CONSTRUCTION

BRINGING IDEAS TO LIFE

FRANKHAM

Frankham Consultancy Group Limited
21 Perryman Road
Haywards Heath RH16 3TP
t 01444 444900 f 01444 455642
enquire@frankham.com
www.frankham.com

Client

Ealing
www.ealing.gov.uk

Project Title

Dominion Arts Centre
Southall
London

Drawing Title

Internal Wall Partition
Details
Sheet 2 of 2

Drawn by: RKC	Scale: 1:5 @A1	Date: 03.04.13
Designed by: FCG	Checked by: CH	Approved by: AGC

File Ref.: 224970-A-431

Drawing No. 224970-A-431	Rev. C1
-----------------------------	------------