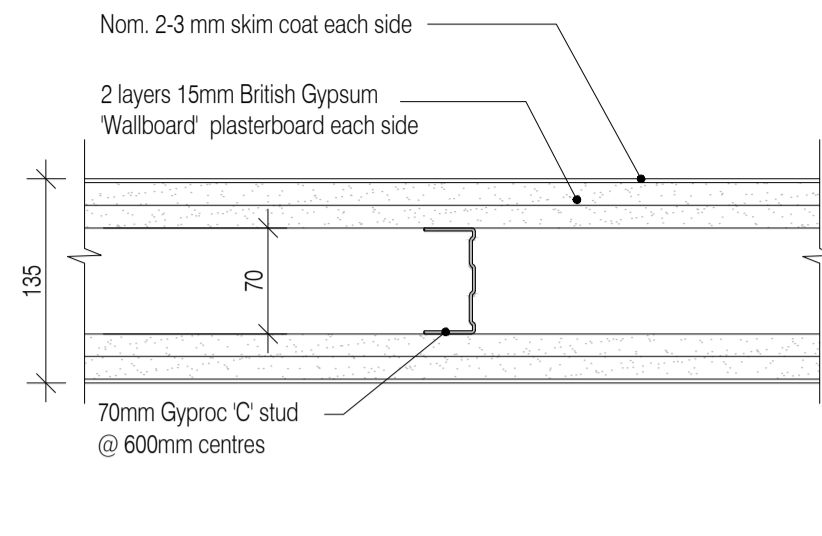
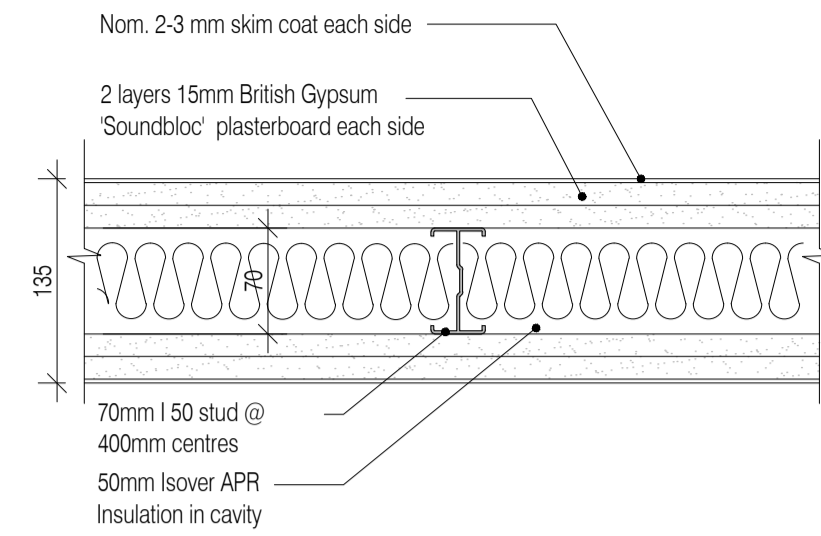


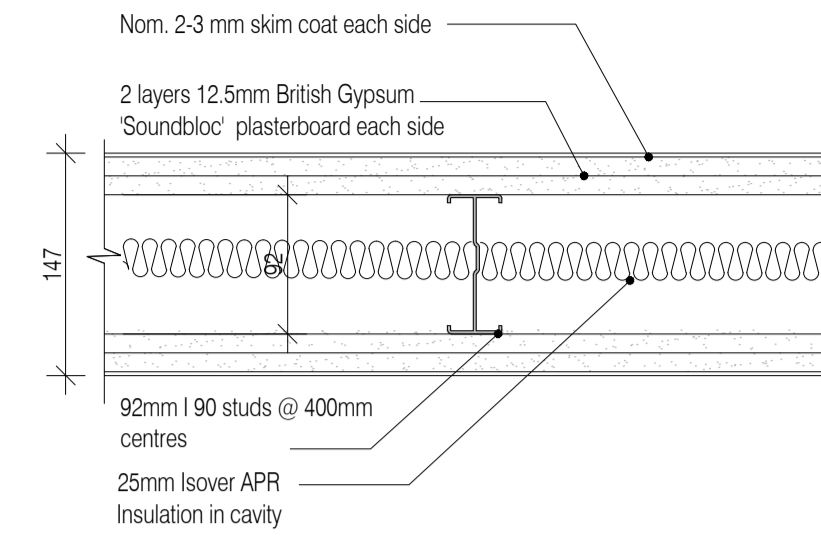
01 Wall Type A - 56dB - 90mins - 4.9m max.
Scale: 1:5



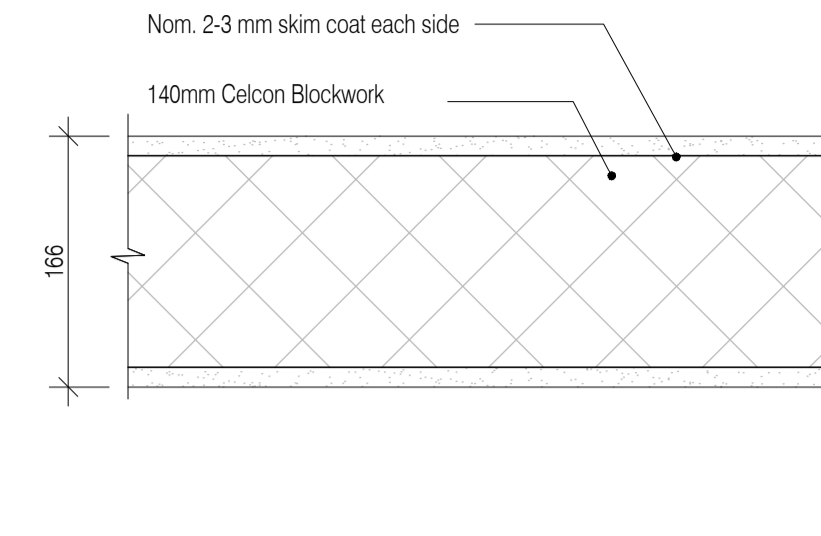
02 Wall Type B - 46dB - 60mins - 4.9m max.
Scale: 1:5



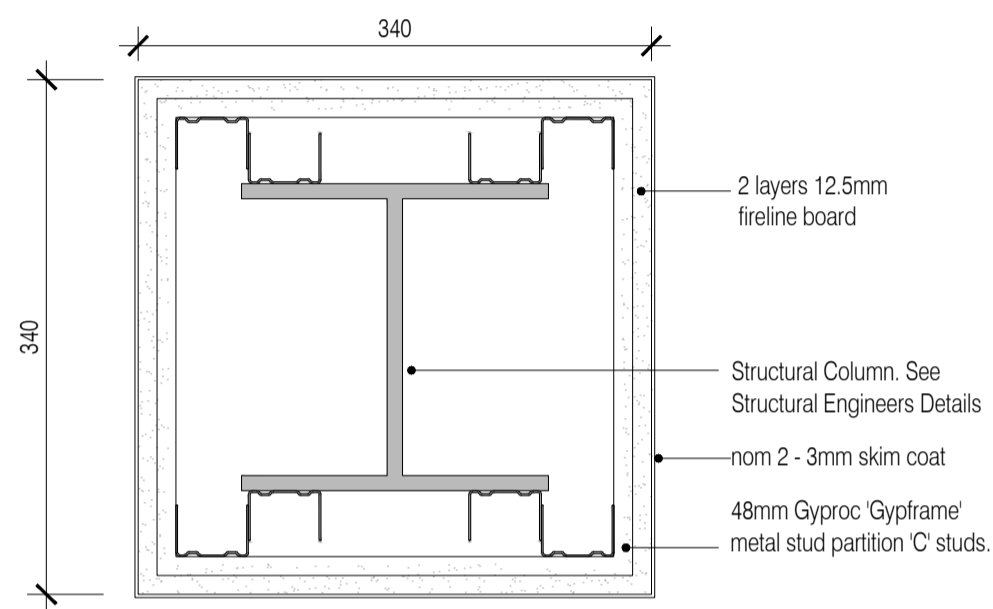
03 Wall Type C - 56dB - 90mins - 5.5m max.
Scale: 1:5



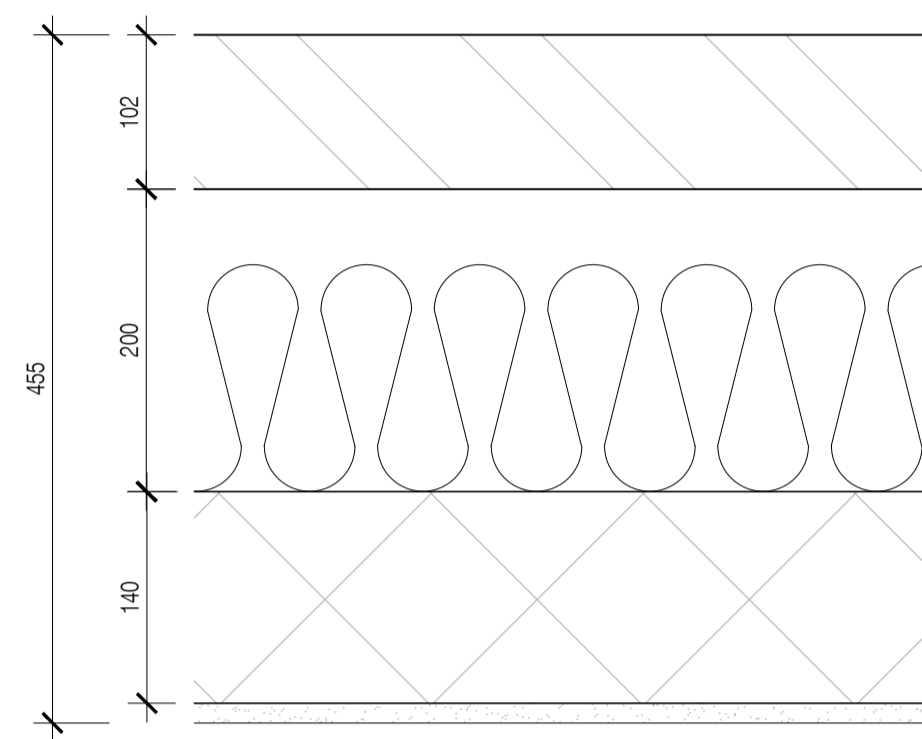
04 Wall Type D - 53dB - 60mins - 7.9m max.
Scale: 1:5



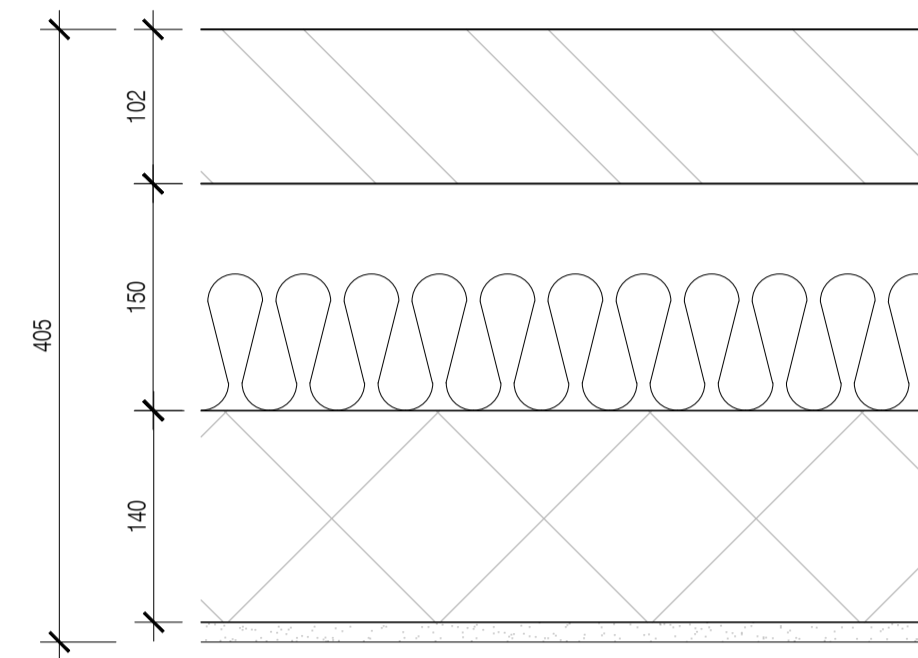
05 Wall Type E
Scale: 1:5



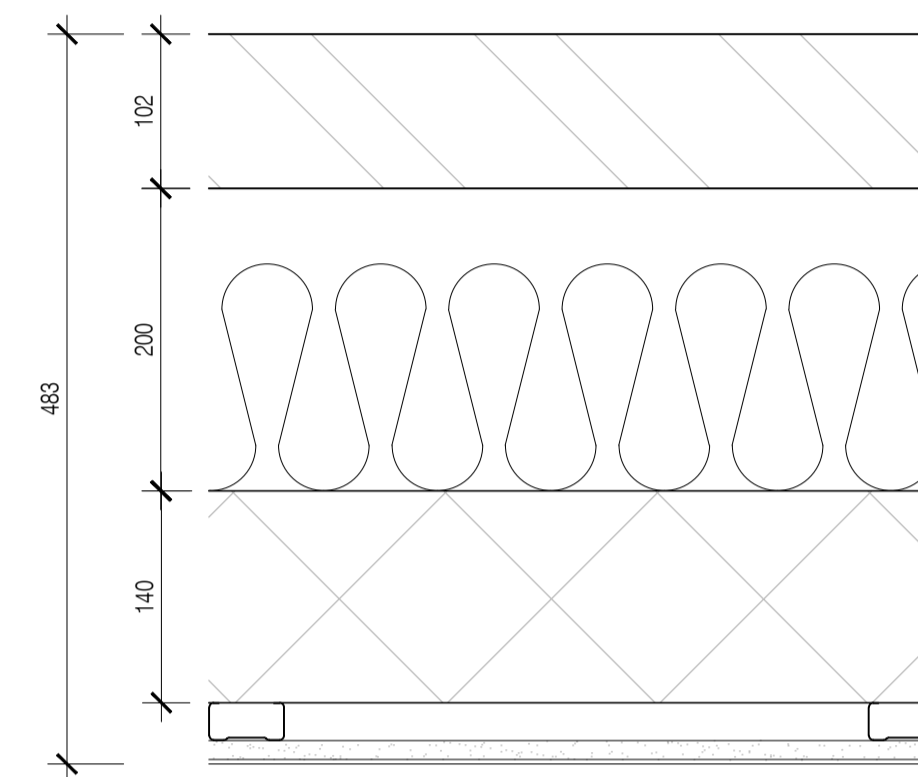
06 Typical Gyplyner Encasement To Steel Column
Scale: 1:5



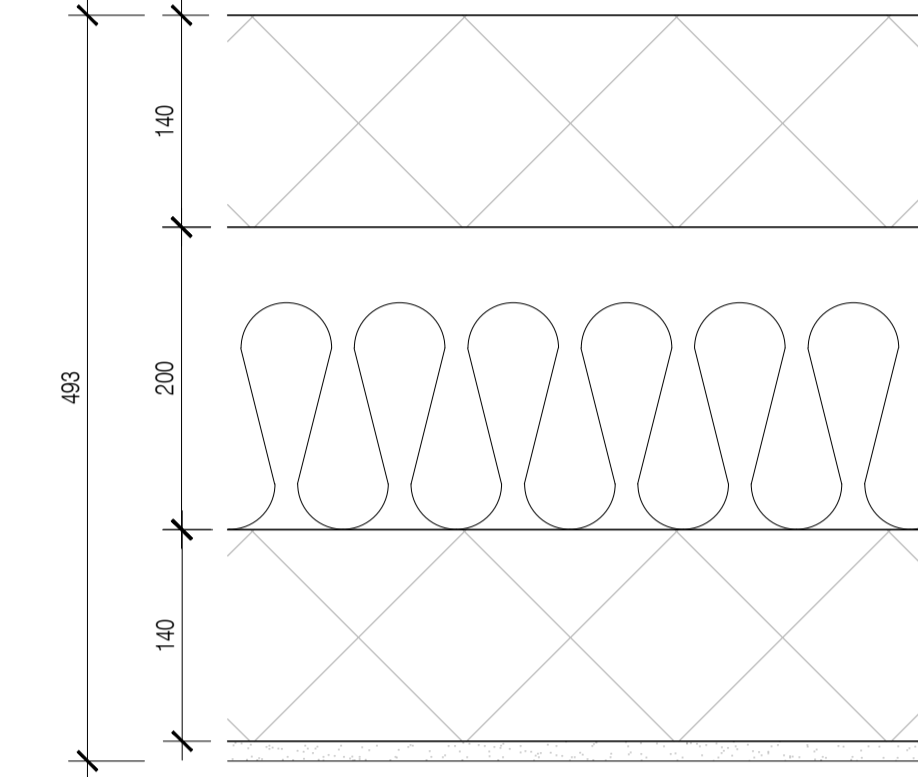
07 Wall Type F
Scale: 1:5



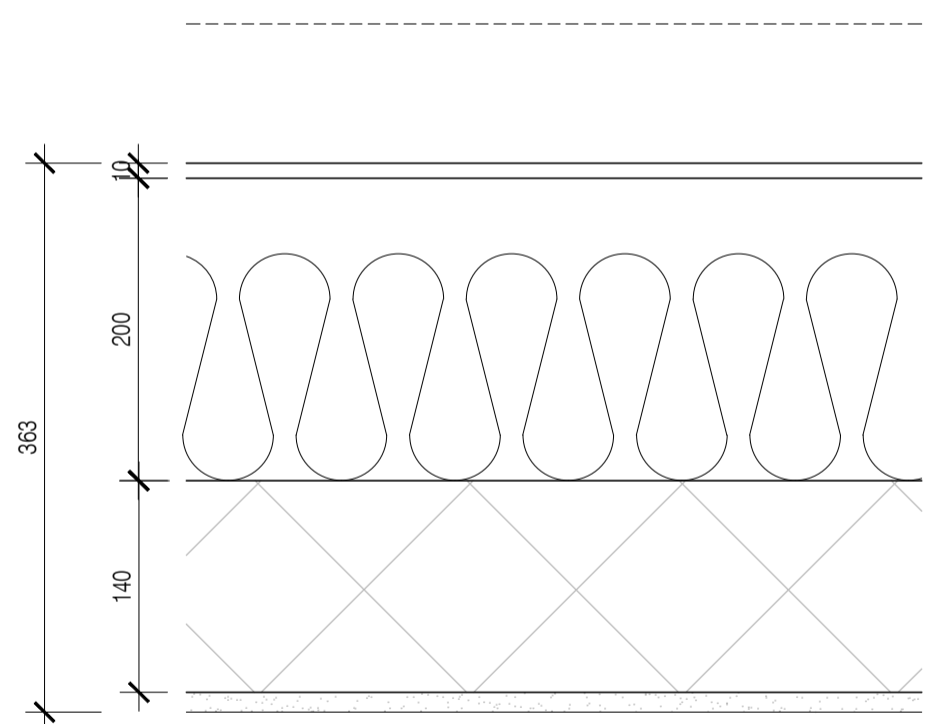
08 Wall Type G
Scale: 1:5



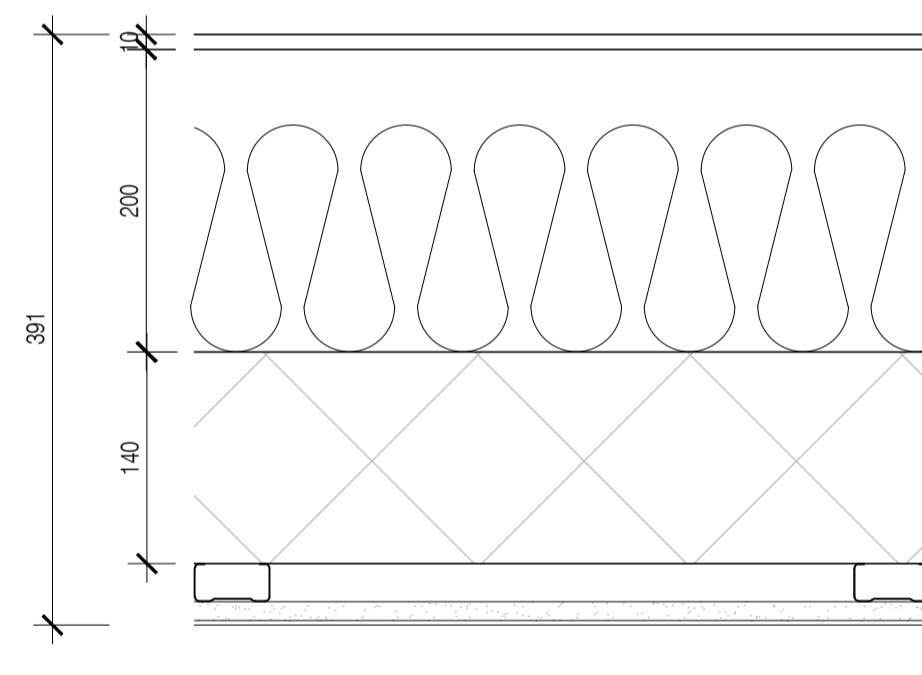
09 Wall Type H
Scale: 1:5



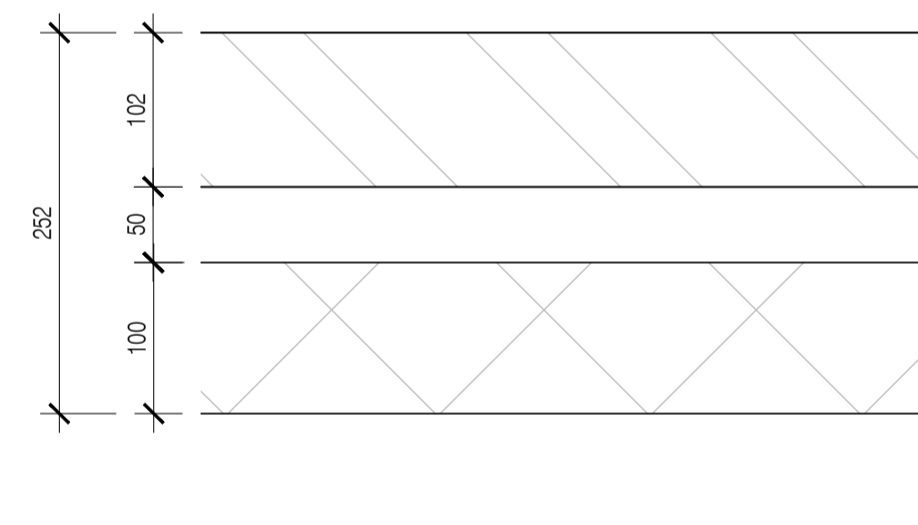
10 Wall Type J
Scale: 1:5



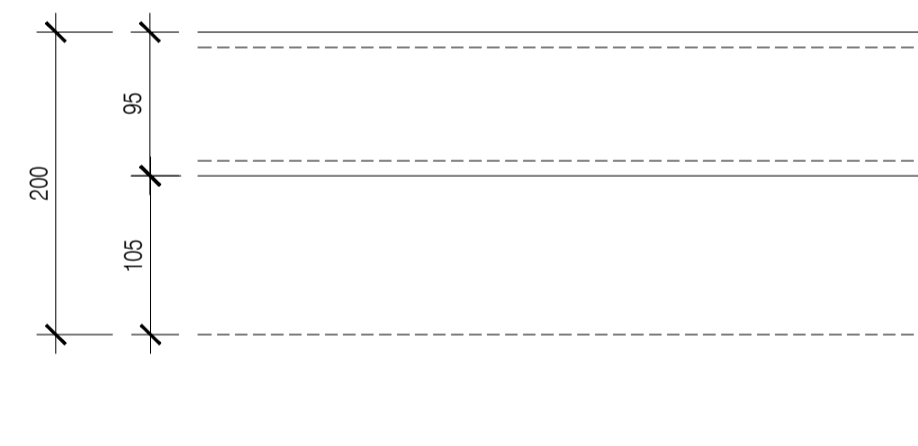
11 Wall Type K
Scale: 1:5



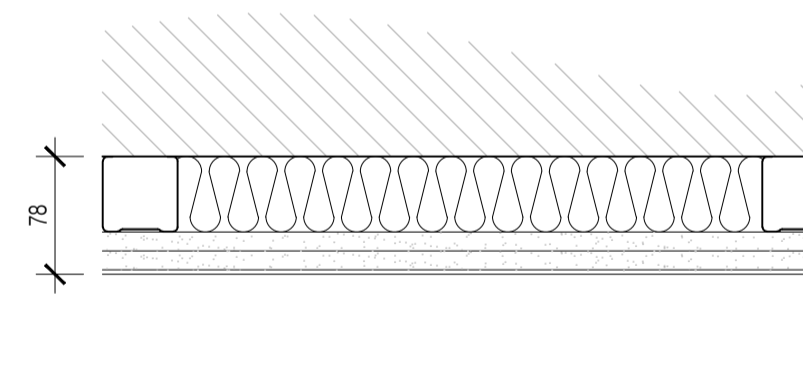
12 Wall Type L
Scale: 1:5



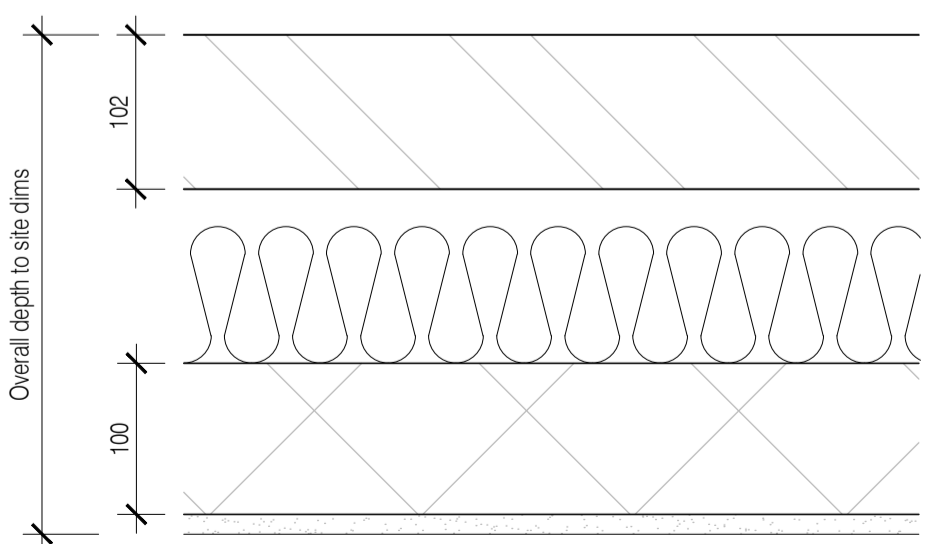
13 Wall Type M
Scale: 1:5



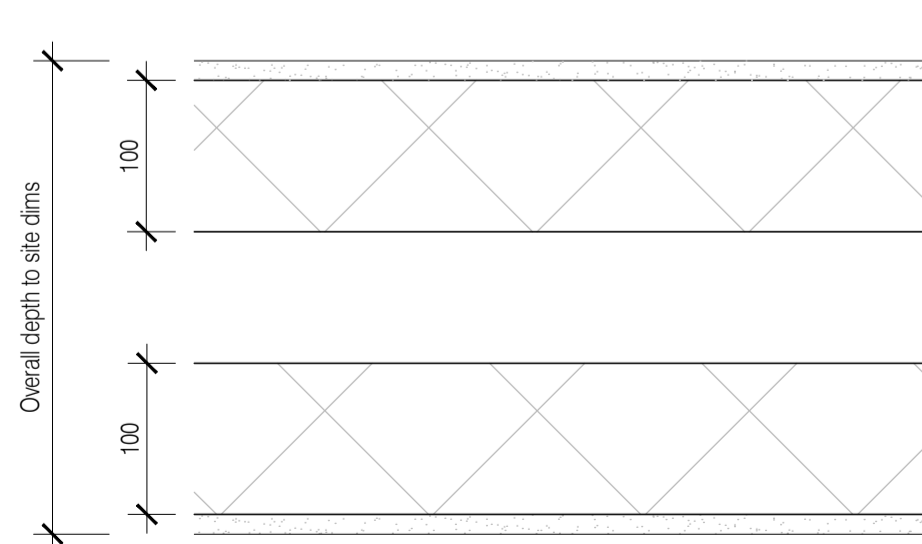
14 Wall Type N
Scale: 1:5



15 Wall Type P
Scale: 1:5



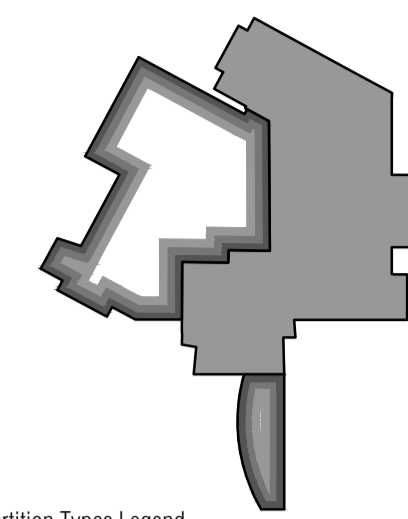
16 Wall Type Q
Scale: 1:5



17 Wall Type R
Scale: 1:5

NOTES: Do not scale this drawing. All dimensions to be checked on site prior to commencement or manufacture.

Key Plan (n/s)



- Internal Partition Types Legend
- All plasterboard to receive skim coat plaster
 - A - 2 layers 15mm soundbloc each side of 70mm C studs @ 600mm centres. 50mm Isover APR 1200 in cavity
 - B - 2 layers 15mm Wallboard each side of 70mm C studs @ 600mm centres.
 - C - 2 layers 15mm soundbloc each side of 70mm I 50 studs @ 400mm centres. 50mm Isover APR 1200 in cavity
 - D - 2 layers 12.5mm soundbloc each side of 92mm I 90 studs @ 300mm centres. 25mm Isover APR 1200 in cavity
 - E - 140mm blockwork w/skim coat
 - 2 layers 12.5mm fireline column encasing
 - Z - 2 layers 15mm soundbloc each side of 146mm Gyplframe studs @ 600mm centres.

- External Wall Types Legend
- F - Ibstock facing brick - 50mm clear cavity - 150mm insulation - 140mm blockwork - plaster finish
 - G - Ibstock facing brick - 50mm clear cavity - 90mm insulation - 140mm blockwork - plaster finish
 - H - Ibstock facing brick - 50mm clear cavity - 150mm insulation - 140mm blockwork - dry lining - skim finish
 - J - 140mm blockwork - 150mm insulation - 140mm blockwork - plaster finish
 - K - Laminate cladding - 50mm clear cavity - 150mm insulation - 140mm blockwork - plaster finish
 - L - Laminate cladding - 50mm clear cavity - 150mm insulation - 140mm blockwork - dry lining - skim finish
 - M - Ibstock facing brick - 50mm clear cavity 100mm blockwork N - PPC Metal Louvres
 - P - Dry lined with 2 layers 12.5mm soundbloc and 50mm Isover APR 1200 in cavity
 - Q - Brick to match extg - 25mm cavity - 90mm insulation - 100mm blockwork - plaster finish
 - R - Plaster - 100mm blockwork - 100mm clear cavity - 100mm blockwork - Plaster

NB - All steelwork to be erected in accordance with Structural Engineer's design and specification. For all steelwork information inc. bracing, refer to Structural Engineers drawings

ISSUED FOR CONSTRUCTION

Rev	Date	By	Chk	Comment
C1	03.07.13	FRK	JAS	Issued for CONSTRUCTION

BRINGING IDEAS TO LIFE

FRANKHAM

Frankham Consultancy Group Limited
21 Perrymount Road
Haywards Heath RH16 3TP
t 01444 444900 f 01444 455642
enquire@frankham.com
www.frankham.com

Client

Ealing
www.ealing.gov.uk

Project Title

Dominion Arts Centre
Southall
London

Drawing Title

Internal & External
Wall Details

Drawn by: RKC	Scale: 1:5 @A1	Date: 18.04.13
Designed by: FCG	Checked by: AC	Approved by: AC

File Ref.: C:\BROOKWOOD\LOCAL\DOMINION ARTS CENTRE\DWG\02013\02013_0001.dwg	20/06/11 13:49:23
Drawing No. 224970-A-432	Rev. C1