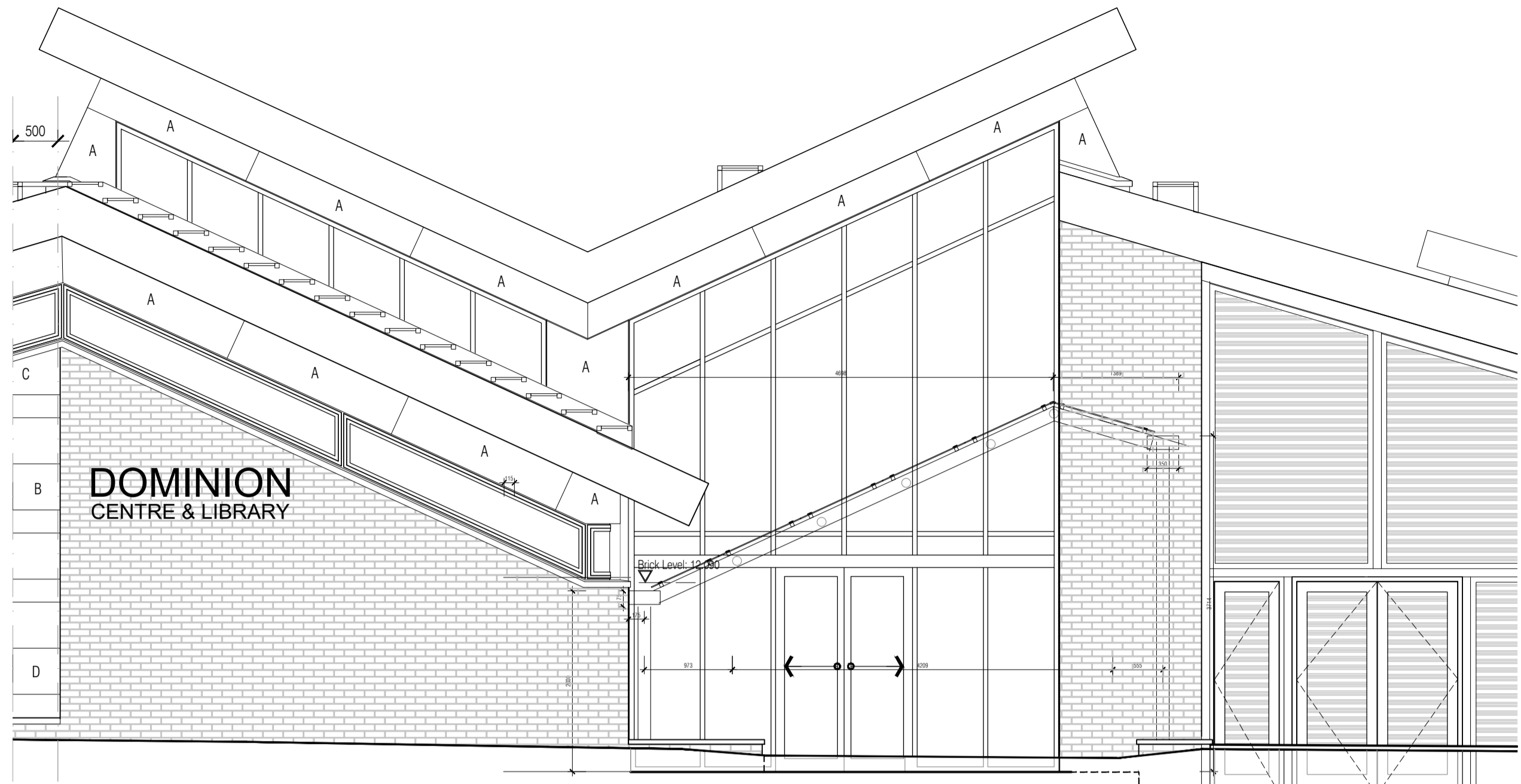
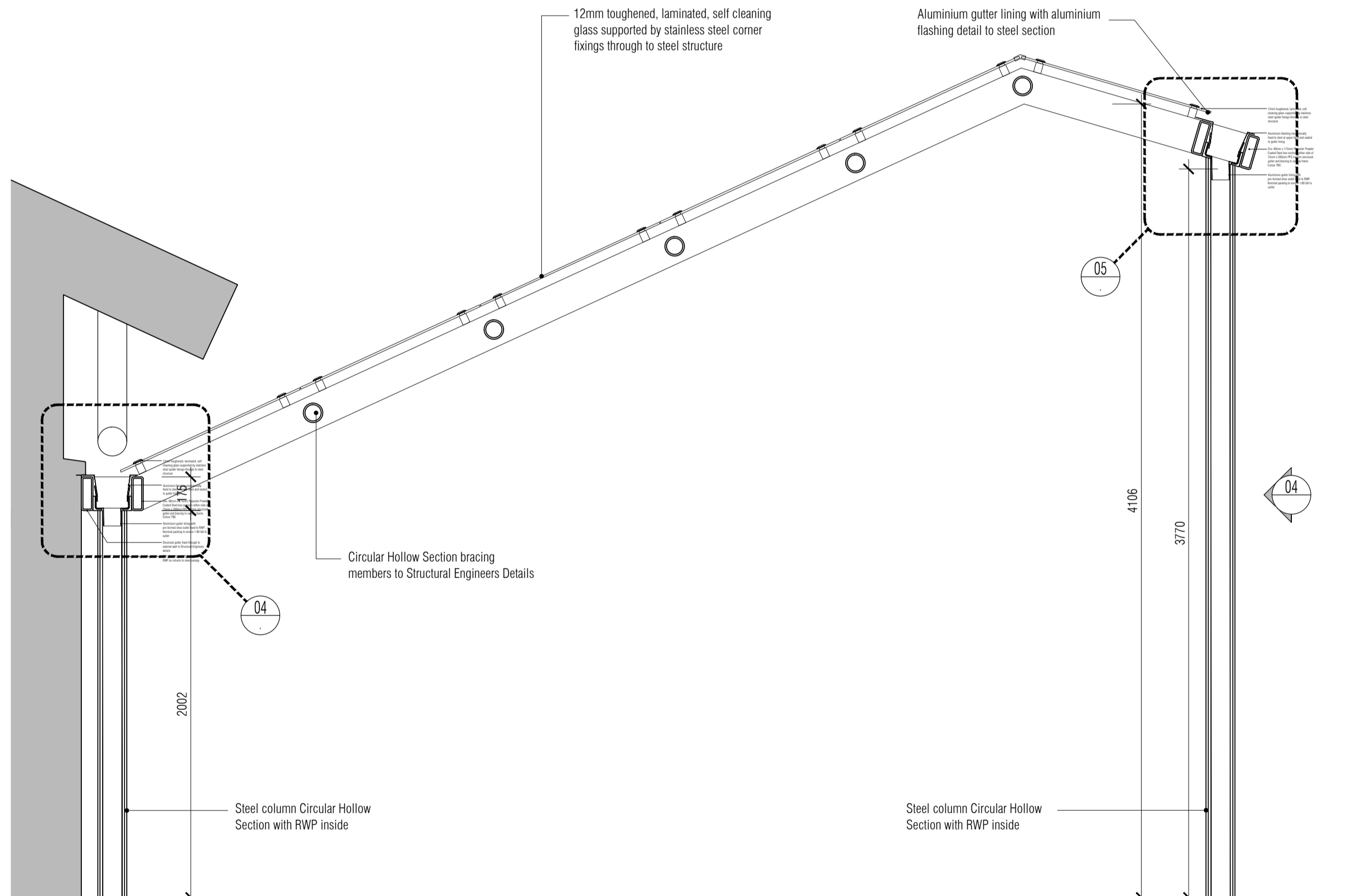


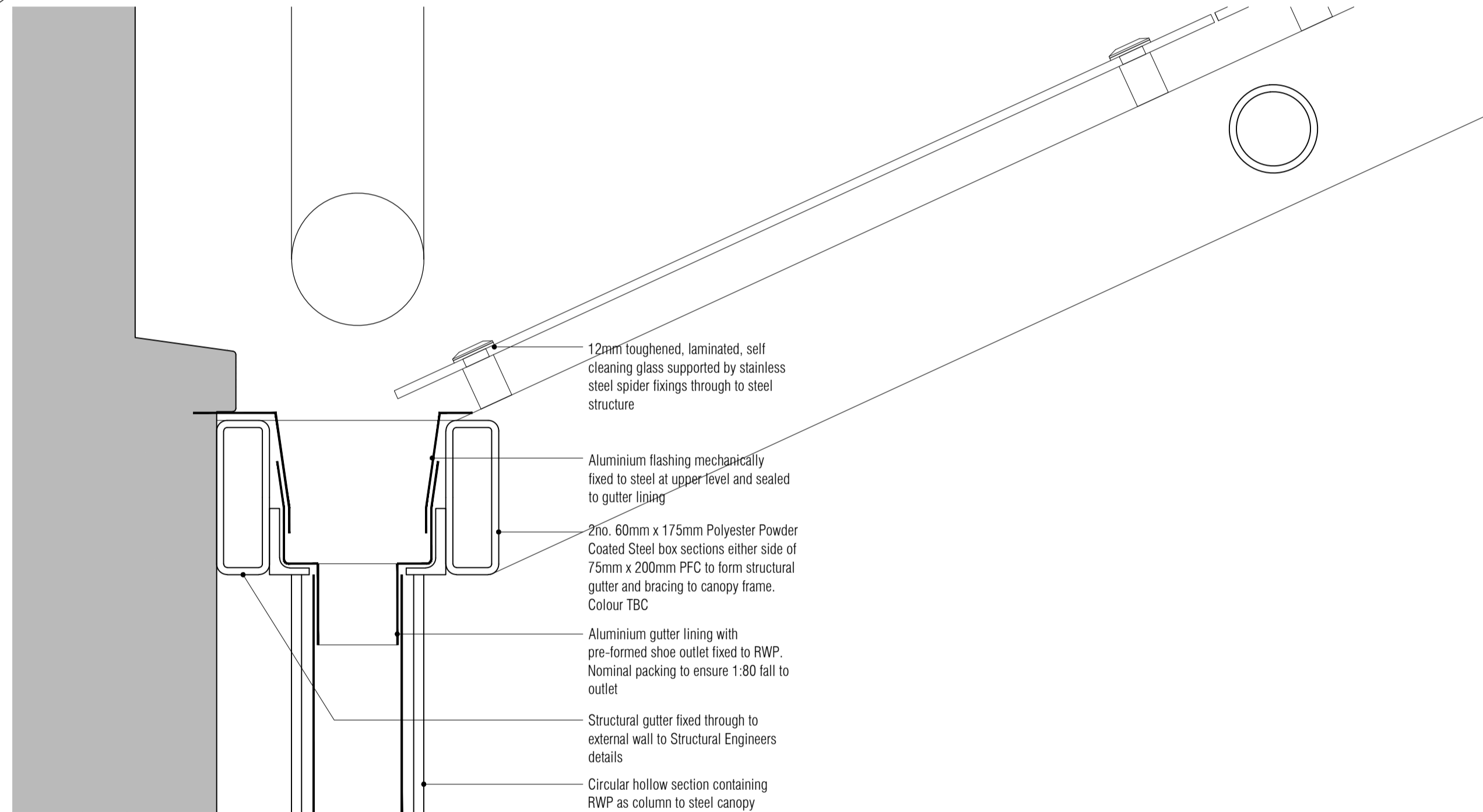
01 Canopy plan
Scale: 1:20



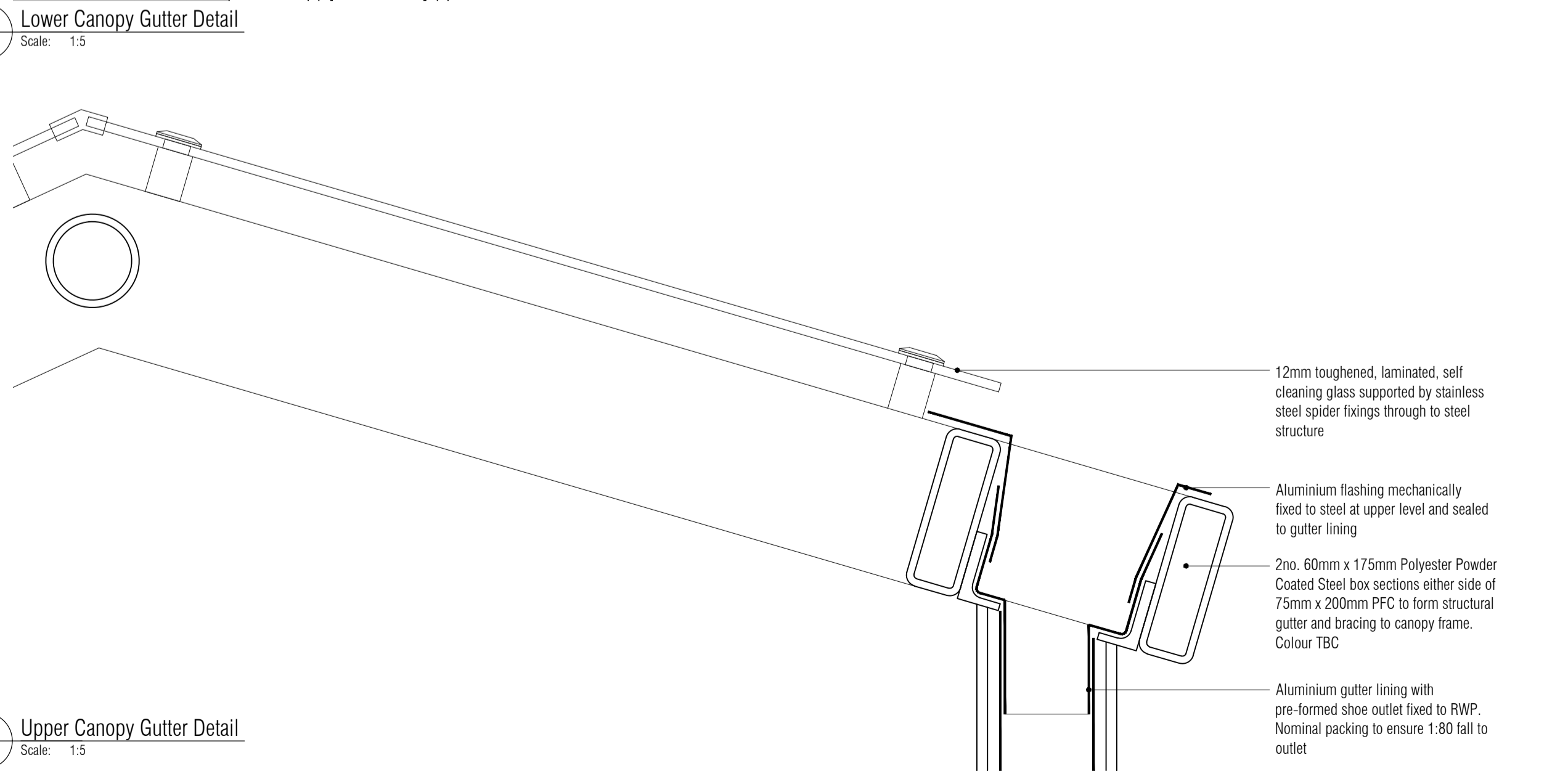
03 Partial West Elevation
Scale: 1:50



02 Canopy Section
Scale: 1:20

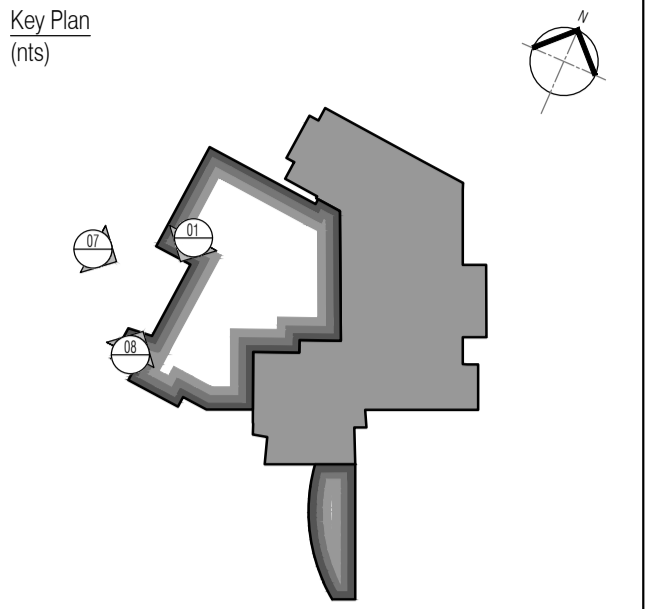


04 Lower Canopy Gutter Detail
Scale: 1:5



05 Upper Canopy Gutter Detail
Scale: 1:5

NOTES: Do not scale this drawing. All dimensions to be checked on site prior to commencement or manufacture.



ISSUED FOR CONSTRUCTION

Rev	Date	By	CHK	Comment
01	03.07.13	RKC	JAS	Issued for CONSTRUCTION

BRINGING IDEAS TO LIFE

FRANKHAM

Frankham Consultancy Group Limited
21 Perrymount Road
Haywards Heath RH16 3TP
t 01444 444000 f 01444 455642
enquire@frankham.com
www.frankham.com

Client

Ealing
www.ealing.gov.uk

Project Title

Dominion Arts Centre
Southall
London

Drawing Title

Entrance Canopy
Details

Drawn by: RKC	Scale: 1:10 & 1:50 @A1	Date: 03.04.13
Designed by: FCG	Checked by: CH	Approved by: AGC

File Ref.: C:\BROOKLANDS\LOCALS\DOMINION ARTS CENTRE\ARCH\03_04_13\03_04_13_01.dwg	20/06/11 13:33:52
Drawing No. 224970-A-480	Rev. C1