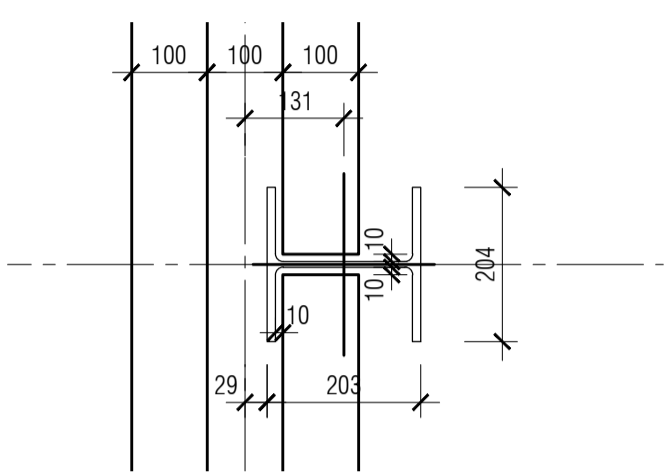
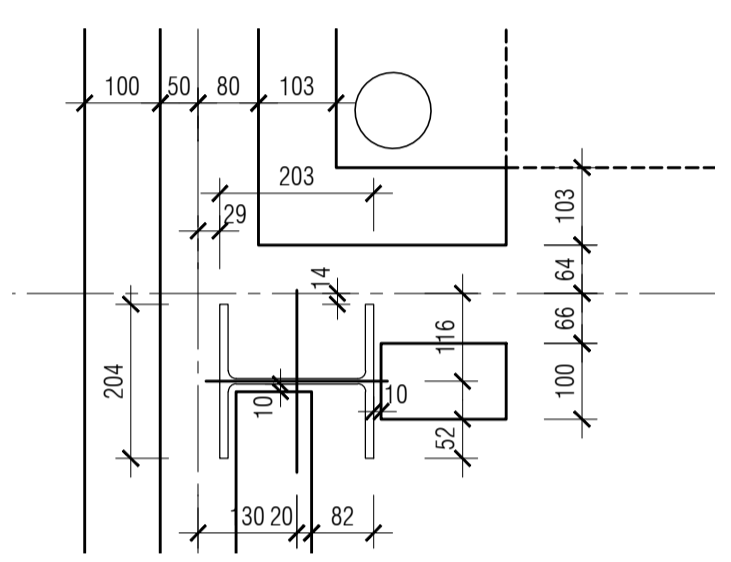


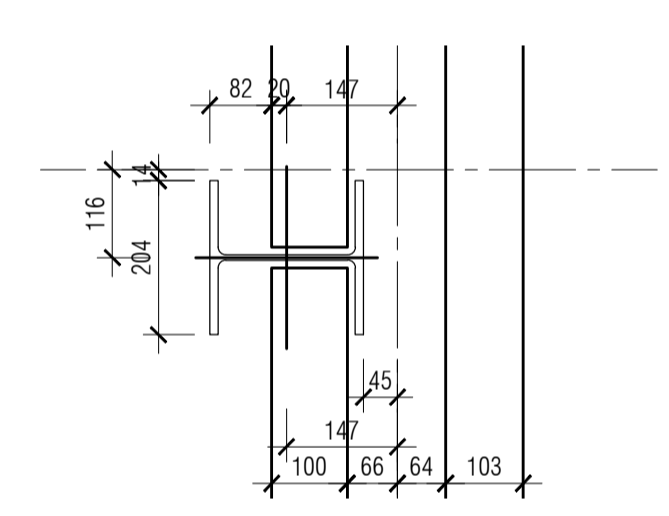
04 Block 1 & 2 Square Hollow Section Setting Out Plan
Scale: 1:10



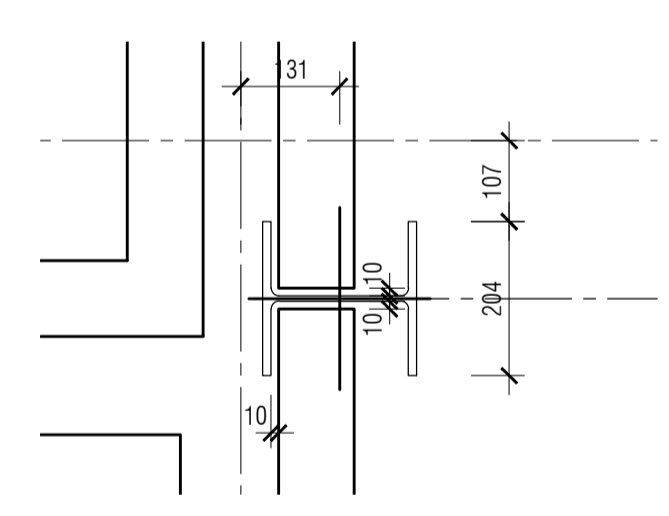
05 Block 1 & 2 Column Setting Out Plan
Scale: 1:10



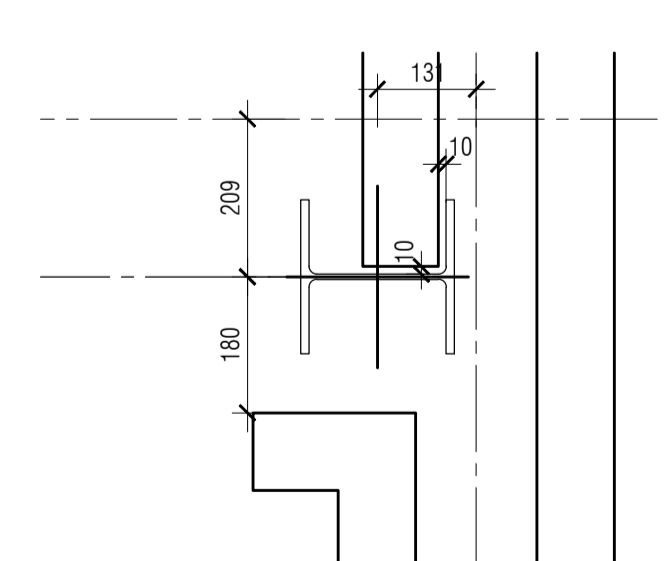
06 Block 3 Outside Column Setting Out Plan
Scale: 1:10



07 Block 3 Inside Column Setting Out Plan
Scale: 1:10



08 Units 11 & 24 Column Setting Out Plan
Scale: 1:10



09 Units 11 & 24 Column Setting Out Plan
Scale: 1:10

- CONTRACTOR IS RESPONSIBLE FOR ALL SETTING OUT AND MUST CHECK DIMENSIONS ON SITE BEFORE WORK IS PUT IN HAND
- WRITTEN DIMENSIONS ONLY TO BE TAKEN THIS DRAWING MUST NOT BE SCALED
- ARCHITECT TO BE IMMEDIATELY NOTIFIED OF SUSPECTED OMISSIONS OR DISCREPANCIES

REVISIONS	DATE	BY
CLASSIFIED FOR CONSTRUCTION	17.05.16	RKC
CM/Markup revs	22.07.16	RKC

- Drawing Referencing Legend
- Title Reference Bubble: referred to by top n° of other bubbles. Denotes dwg n° of sheet for Title backward referencing only.
 - Room Call Out Reference Bubble: Reference n°: refers to top n° of Title bubble on residing dwg n°. Denotes dwg n° for forward referencing.
 - Elevation (inc. room elevations) Reference Bubble: Reference n°: refers to top n° of Title bubble on residing dwg n°. Denotes dwg n° for forward referencing.
 - Detail Call Out Reference Bubble: Reference n°: refers to top n° of Title bubble on residing dwg n°. Denotes dwg n° for forward referencing.
 - Section Detail Reference Bubble: Reference n°: refers to top n° of Title bubble on residing dwg n°. Denotes dwg n° for forward referencing.
 - Section Reference Bubble: Reference n°: refers to top n° of Title bubble on residing dwg n°. Denotes dwg n° for forward referencing.
 - Revisions Reference Bubble and Cloud: Reference n°: refers to revision in list and in title block, cloud encloses changes to previous issue.

ISSUED FOR CONSTRUCTION

RDJW
ARCHITECTS



RDJW ARCHITECTS LIMITED
QUIN HOUSE . 9-11 EAST PARK
CRAWLEY . WEST SUSSEX . RH10 6AN
TEL: 01293 404300 . FAX: 01293 404299
E M A I L : info@rdjwarchitects.co.uk
W E B S I T E : www.rdjwarchitects.co.uk

PROJECT
Housing Development
Springfield Hospital
Hebdon Road
Tooting

Proposed Ground Floor
External Wall Setting Out
Plan

DATE	30.09.15	SCALE	1:100 @ A1
DRAWN	RKC	DRG. NO.	4720-108
CHECKED		REV.	C2