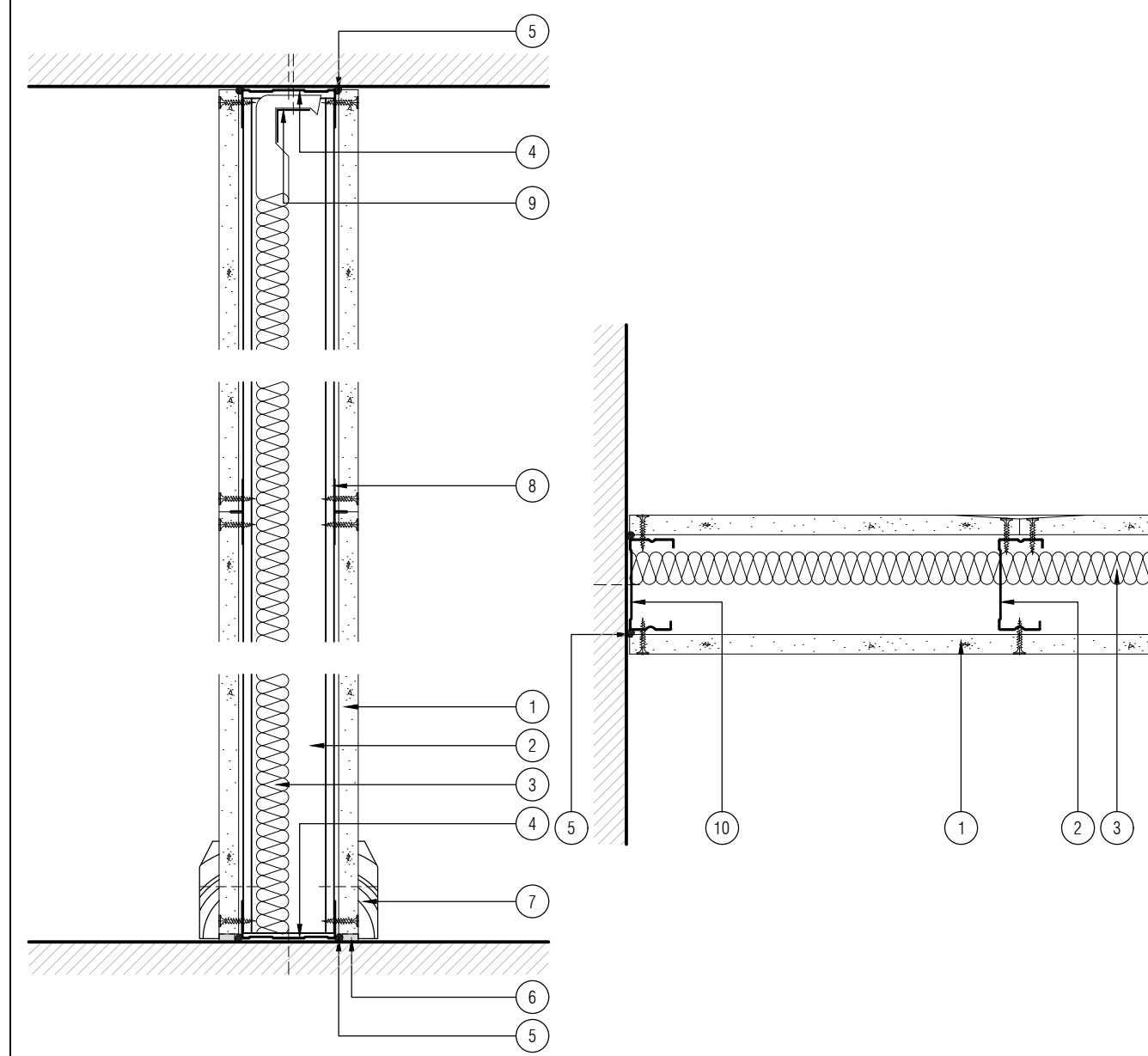


All partition information, details and specifications subject to confirmation by Drywall Contractor and are to be in accordance with Manufacturers design and instructions. RDJW to be notified immediately upon discovery of variation to the details shown

F:\PROJECTS\4817 - xref's loaded in file

GypWall CLASSIC - A206045

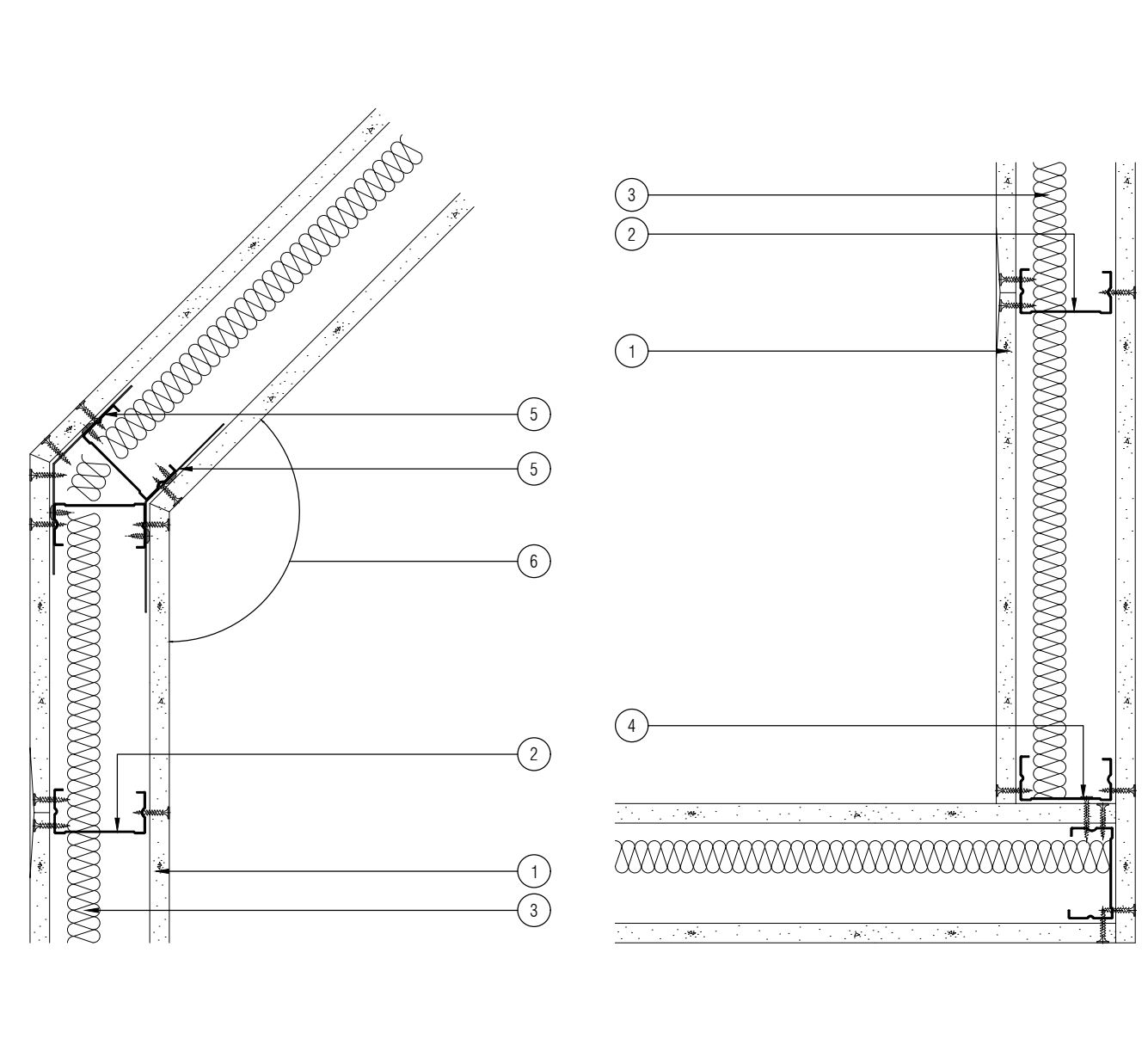
- 1 layer Gyproc plasterboard fixed with British Gypsum Drywall Screws at 300mm centres
- Gyproc jointing material bulk fill where gap exceeds 5mm
- Indicative skirting
- Gyproc GF11 Fixing T progressively inserted between board edge & studs to support horizontal board joints. Alternatively Gyproc GFS1 Fixing Strap fixed to studs with 2 no. British Gypsum Water Head Drywall Screws
- Gyproc Sealant for optimum sound insulation
- Gyproc jointing material bulk fill where gap exceeds 5mm
- Indicative skirting
- Gyproc GF11 Fixing T progressively inserted between board edge & studs to support horizontal board joints. Alternatively Gyproc GFS1 Fixing Strap fixed to studs with 2 no. British Gypsum Water Head Drywall Screws
- Gyproc Sealant for optimum sound insulation
- Gyproc Steel Angle or timber batten suitably fixed to soffit
- Gyproc 70 S 50 C stud suitably fixed to wall at 600mm centres



Base & Head Wall Abutment

GypWall CLASSIC - A206045

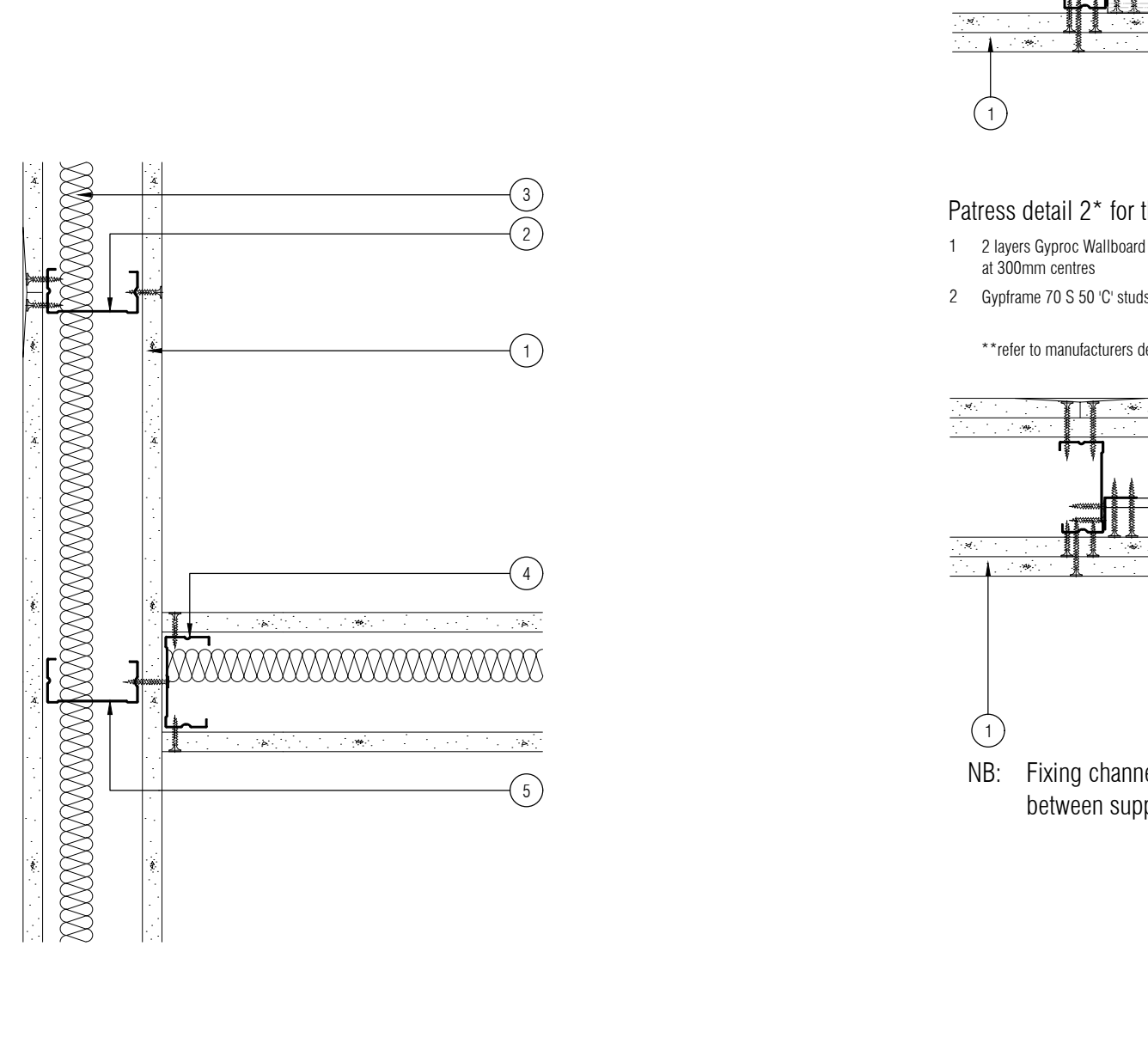
- 1 layer Gyproc plasterboard fixed with British Gypsum Drywall Screws at 300mm centres (200mm centres at external angles)
- Gyproc GF11 Fixing T progressively inserted between board edge & studs to support horizontal board joints. Alternatively Gyproc GFS1 Fixing Strap fixed to studs with 2 no. British Gypsum Water Head Drywall Screws
- lower insulation where required
- Gyproc 70 S 50 C stud fixed through plasterboard to stud with British Gypsum Drywall Screws at 600mm centres
- Gyproc jointing material bulk fill where gap exceeds 5mm
- Indicative skirting
- Gyproc GF11 Fixing T progressively inserted between board edge & studs to support horizontal board joints. Alternatively Gyproc GFS1 Fixing Strap fixed to studs with 2 no. British Gypsum Water Head Drywall Screws
- Gyproc Sealant for optimum sound insulation
- Gyproc Steel Angle or timber batten suitably fixed to soffit
- Gyproc 70 S 50 C stud suitably fixed to wall at 600mm centres



Splayed Angle Corner

GypWall CLASSIC - A206045

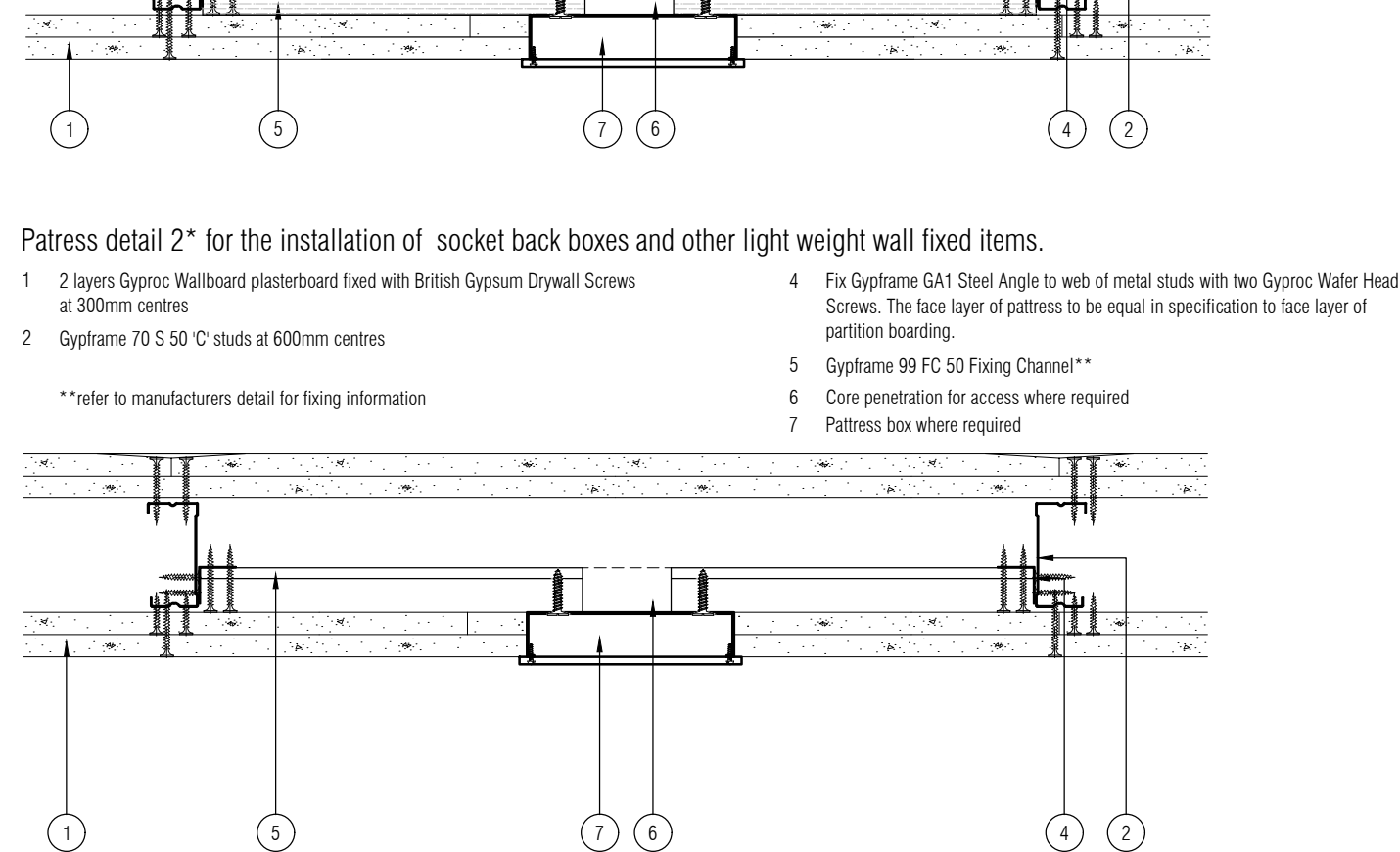
- 1 layer Gyproc plasterboard fixed with British Gypsum Drywall Screws at 300mm centres
- lower insulation where required
- Gyproc 70 S 50 C stud fixed through plasterboard to stud with British Gypsum Drywall Screws at 600mm centres
- Additional Gyproc 70 S 50 C stud at junction
- Gyproc GF11 Fixing T progressively inserted between board edge & studs to support horizontal board joints. Alternatively Gyproc GFS1 Fixing Strap fixed to studs with 2 no. British Gypsum Water Head Drywall Screws
- lower insulation where required
- Gyproc 70 S 50 C stud fixed through plasterboard to stud with British Gypsum Drywall Screws at 600mm centres
- Gyproc jointing material bulk fill where gap exceeds 5mm
- Indicative skirting
- Gyproc GF11 Fixing T progressively inserted between board edge & studs to support horizontal board joints. Alternatively Gyproc GFS1 Fixing Strap fixed to studs with 2 no. British Gypsum Water Head Drywall Screws
- Gyproc Sealant for optimum sound insulation
- Gyproc Steel Angle or timber batten suitably fixed to soffit
- Gyproc 70 S 50 C stud suitably fixed to wall at 600mm centres



T Junction

Patress detail 1* for the installation of cupboards, sinks and other medium to heavy weight wall fixed items.

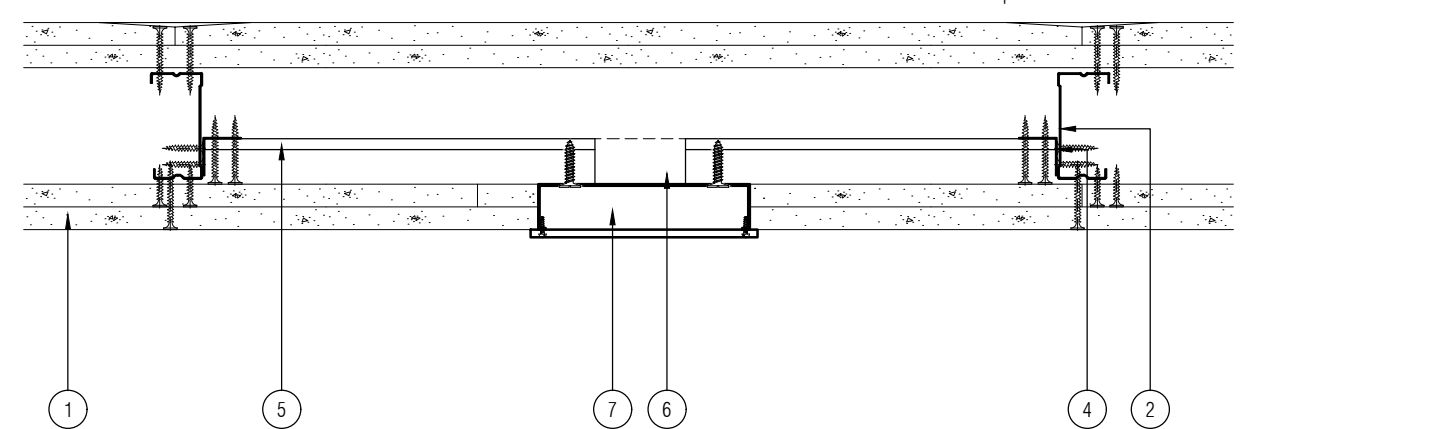
- 2 layers Gyproc Wallboard plasterboard fixed with British Gypsum Drywall Screws at 300mm centres
- Gyproc 70 S 50 C studs at 600mm centres
- Fix Gyproc GA1 Steel Angle to web of metal studs with two Gyproc Water Head Screws. The face layer of patress to be equal in specification to face layer of partition boarding.
- WPB Marine ply thickness/layers as required by installation
- Core penetration for access where required
- Patress box where required



NB: Fixing channel or plywood backing to span full width between supporting studs and full height of supported unit

Patress detail 2* for the installation of socket back boxes and other light weight wall fixed items.

- 2 layers Gyproc Wallboard plasterboard fixed with British Gypsum Drywall Screws at 300mm centres
- Gyproc 70 S 50 C studs at 600mm centres
- Fix Gyproc GA1 Steel Angle to web of metal studs with two Gyproc Water Head Screws. The face layer of patress to be equal in specification to face layer of partition boarding.
- Gyproc 99 FC 50 Fixing Channel**
- Core penetration for access where required
- Patress box where required



**refer to manufacturers detail for fixing information

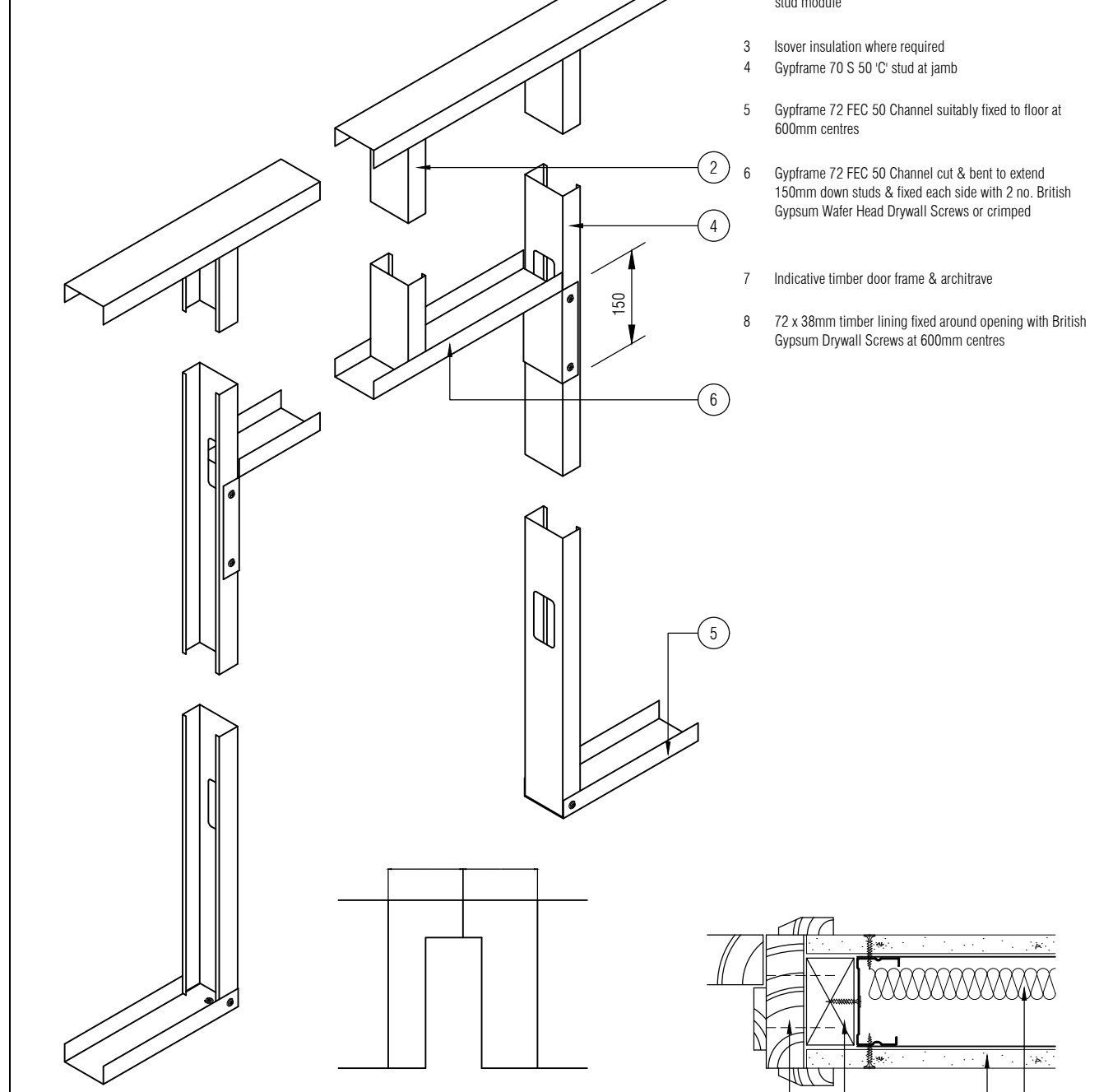
GypWall CLASSIC - A206045
Metal Stud Partition
TYPICAL DETAILS READ WITH PROJECT SPECIFICATION
TY-101-31L1-01

GypWall CLASSIC - A206045
Metal Stud Partition
TYPICAL DETAILS READ WITH PROJECT SPECIFICATION
TY-101-31L1-02

GypWall CLASSIC - A206045
Metal Stud Partition
TYPICAL DETAILS READ WITH PROJECT SPECIFICATION
TY-101-31L1-03

GypWall CLASSIC - A206045

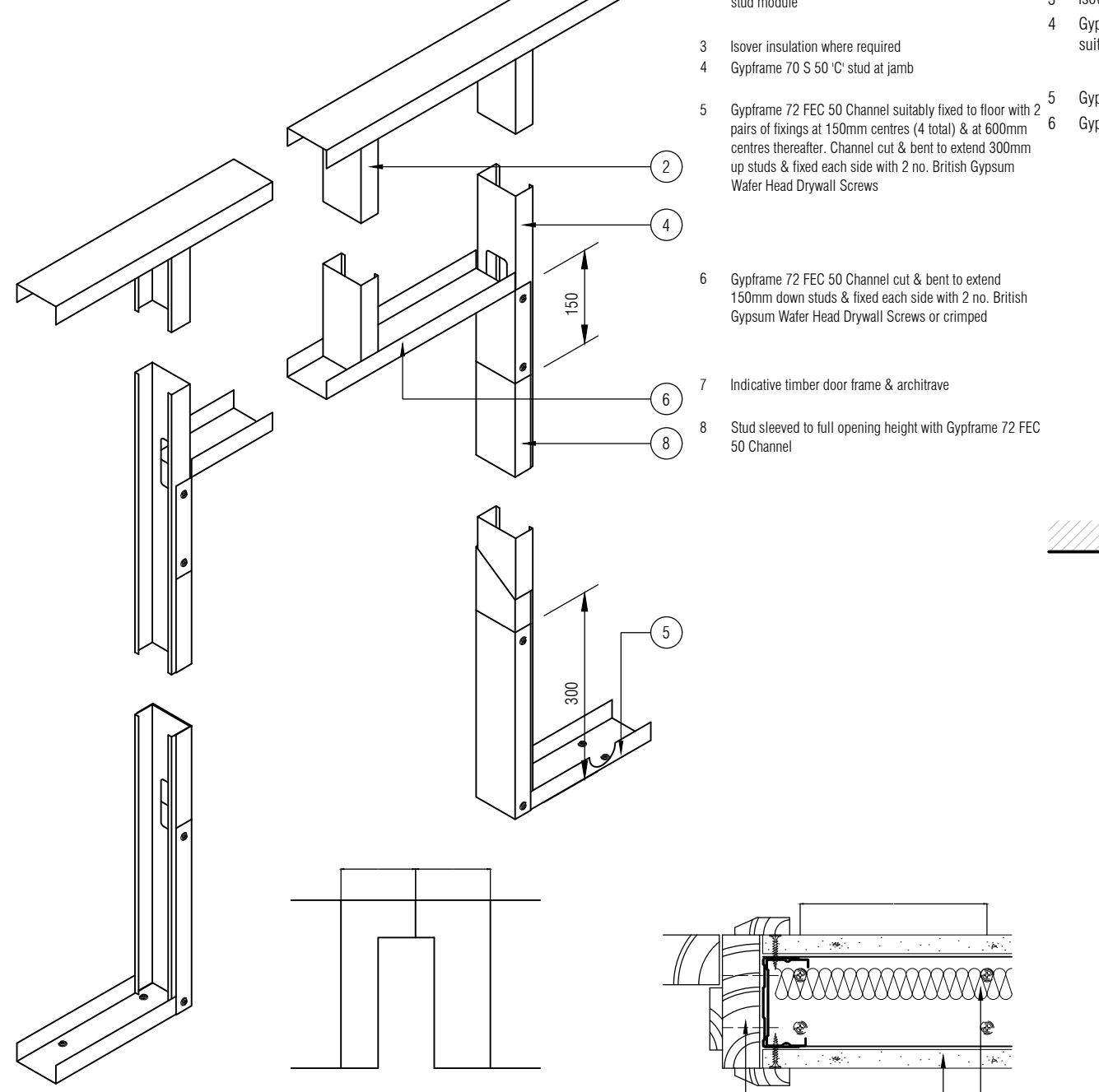
Advice should be sought from the door manufacturer or installer prior to construction of this detail.
Maximum 1200mm opening width for partition with deflection head.
Contact British Gypsum for further guidance on wider openings.



Door Opening - Maximum 1200mm Width
Maximum Door Weight 35kg to BS 5234: Parts 1 & 2: 1992 - Medium Duty

GypWall CLASSIC - A206045

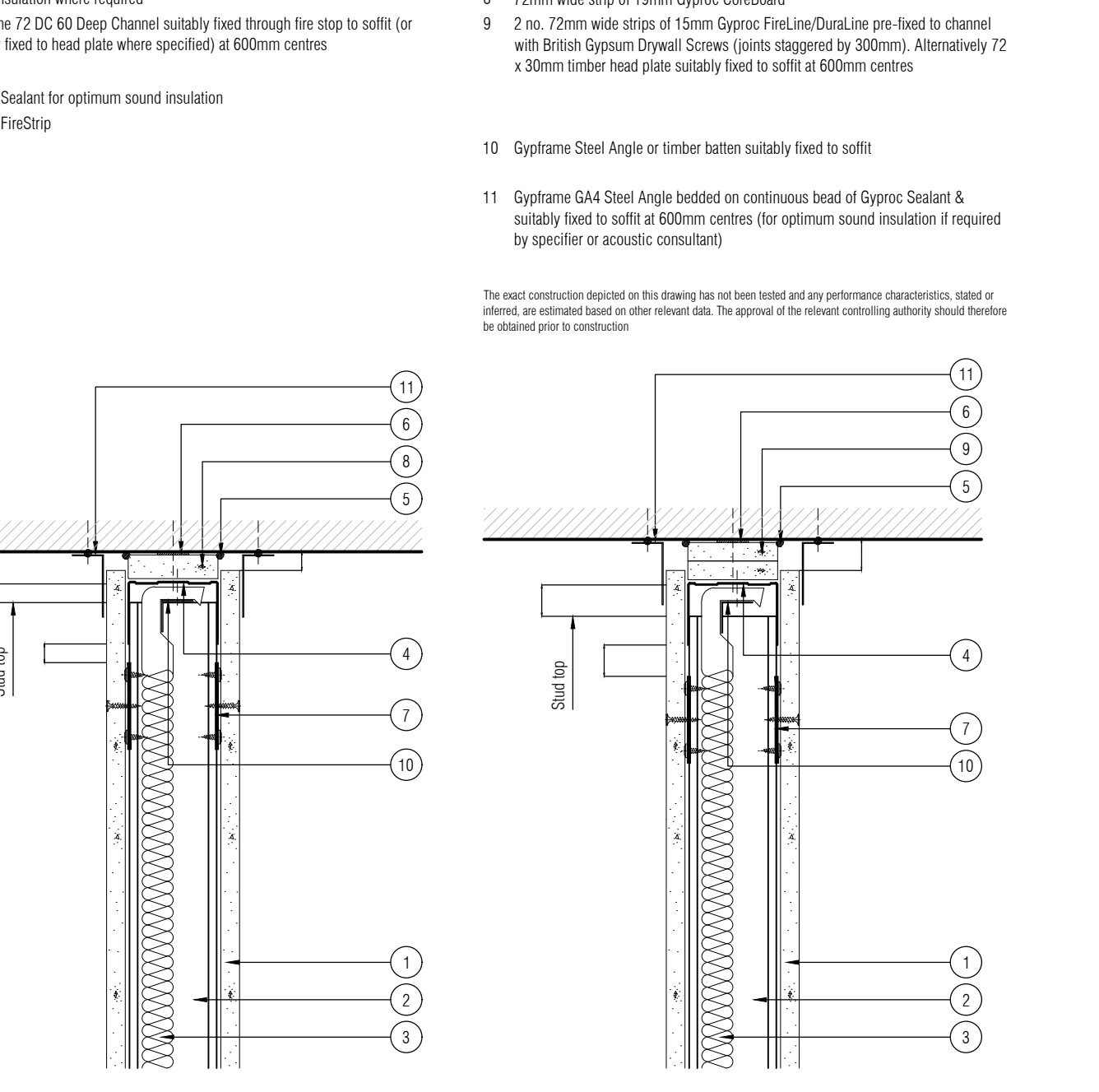
Advice should be sought from the door manufacturer or installer prior to construction of this detail.
Maximum 1200mm opening width for partition with deflection head.
Contact British Gypsum for further guidance on wider openings.



Door Opening - Maximum 1200mm Width
Maximum Door Weight 60kg to BS 5234: Parts 1 & 2: 1992 - Heavy & Severe Duty

GypWall CLASSIC - A206045

Advice should be sought from the door manufacturer or installer prior to construction of this detail.
Maximum 1200mm opening width for partition with deflection head.
Contact British Gypsum for further guidance on wider openings.



Deflection Head
15mm Downward Movement & 30 or 60 Minutes Fire Resistance (Subject to Plasterboard Type)
Design team should be consulted for actual deflection criteria

GypWall CLASSIC - A206045
Metal Stud Partition
TYPICAL DETAILS READ WITH PROJECT SPECIFICATION
TY-101-31L1-04

GypWall CLASSIC - A206045
Metal Stud Partition
TYPICAL DETAILS READ WITH PROJECT SPECIFICATION
TY-101-31L1-05

GypWall CLASSIC - A206045
Metal Stud Partition
TYPICAL DETAILS READ WITH PROJECT SPECIFICATION
TY-101-31L1-06

- CONTRACTOR IS RESPONSIBLE FOR ALL SETTING OUT AND MUST CHECK DIMENSIONS ON SITE BEFORE WORK IS PUT IN HAND
- WRITTEN DIMENSIONS ONLY TO BE TAKEN THIS DRAWING MUST NOT BE SCALED
- ARCHITECT TO BE IMMEDIATELY NOTIFIED OF SUSPECTED OMISSIONS OR DISCREPANCIES

REVISIONS	DATE	BY
C1 ISSUED FOR CONSTRUCTION	24.10.16	rkc

Partition Strategy Key
All partition information, details and specifications subject to confirmation by Drywall Contractor and are to be in accordance with Manufacturers design and instructions. Architect to be notified immediately upon discovery of variation to the details shown.

Internal Walls
Wall Type A - British Gypsum ref: A206045
Wall Type B - British Gypsum ref: A206013



ISSUED FOR CONSTRUCTION

RDJW
ARCHITECTS



RDJW ARCHITECTS LIMITED
QUIN HOUSE . 9-11 EAST PARK
CRAWLEY . WEST SUSSEX . RH10 6AN
TEL: 01293 404300 . FAX: 01293 404299
EMAIL: info@rdjwarchitects.co.uk
WEBSITE: www.rdjwarchitects.co.uk

PROJECT
NEW WAREHOUSE
HORSHAM FLOORINGS
AND FURNISHINGS
HORSHAM

PROPOSED
WALL TYPE A - A206045
DETAILS

DATE	26.01.16	SCALE	nts
DRAWN	rkc	DRG. NO.	4817-501
CHECKED		REV.	C1