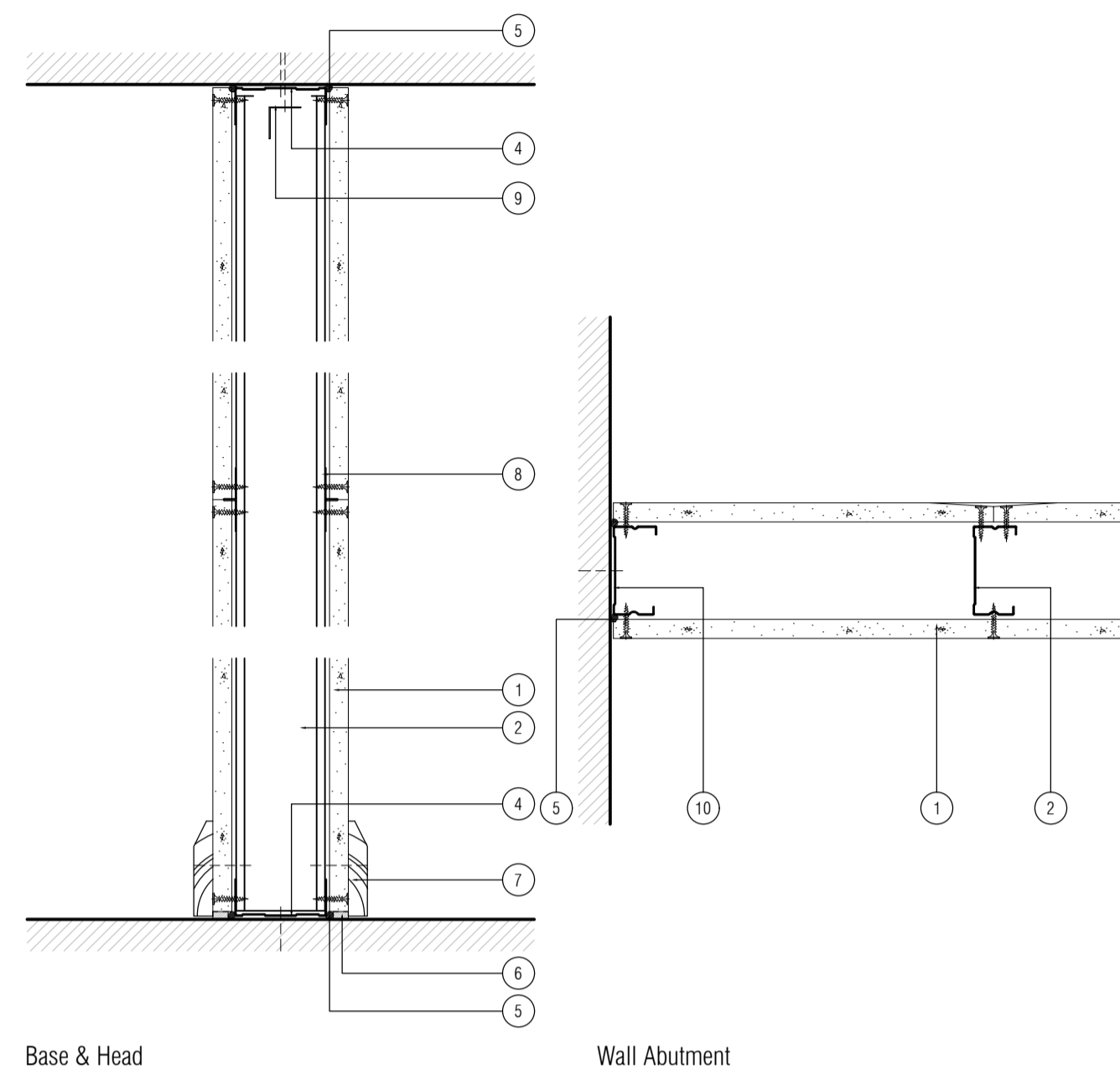


All partition information, details and specifications subject to confirmation by Drywall Contractor and are to be in accordance with Manufacturers design and instructions. RDJW to be notified immediately upon discovery of variation to the details shown

F:\PROJECTS\4817 - xref's loaded in file

GypWall CLASSIC - A206013

- 1 layer Gyproc plasterboard fixed with British Gyproc Drywall Screws at 300mm centres
- Gyplframe 70 S 50 C studs at 600mm centres
- Gyplframe 72 FEC 50 Channel suitably fixed to floor/soffit at 600mm centres
- Gyproc Sealant for optimum sound insulation
- Gyproc jointing material bulk fill where gap exceeds 5mm
- Indicative skirting
- Gyplframe GF1 Fixing T progressively inserted between board edge & studs to support horizontal board joints. Alternatively Gyplframe GFS1 Fixing Strip fixed to studs with 2 no. British Gyproc Water Head Drywall Screws
- Gyplframe Steel Angle or timber batten suitably fixed to soffit
- Gyplframe 70 S 50 C stud suitably fixed to wall at 600mm centres

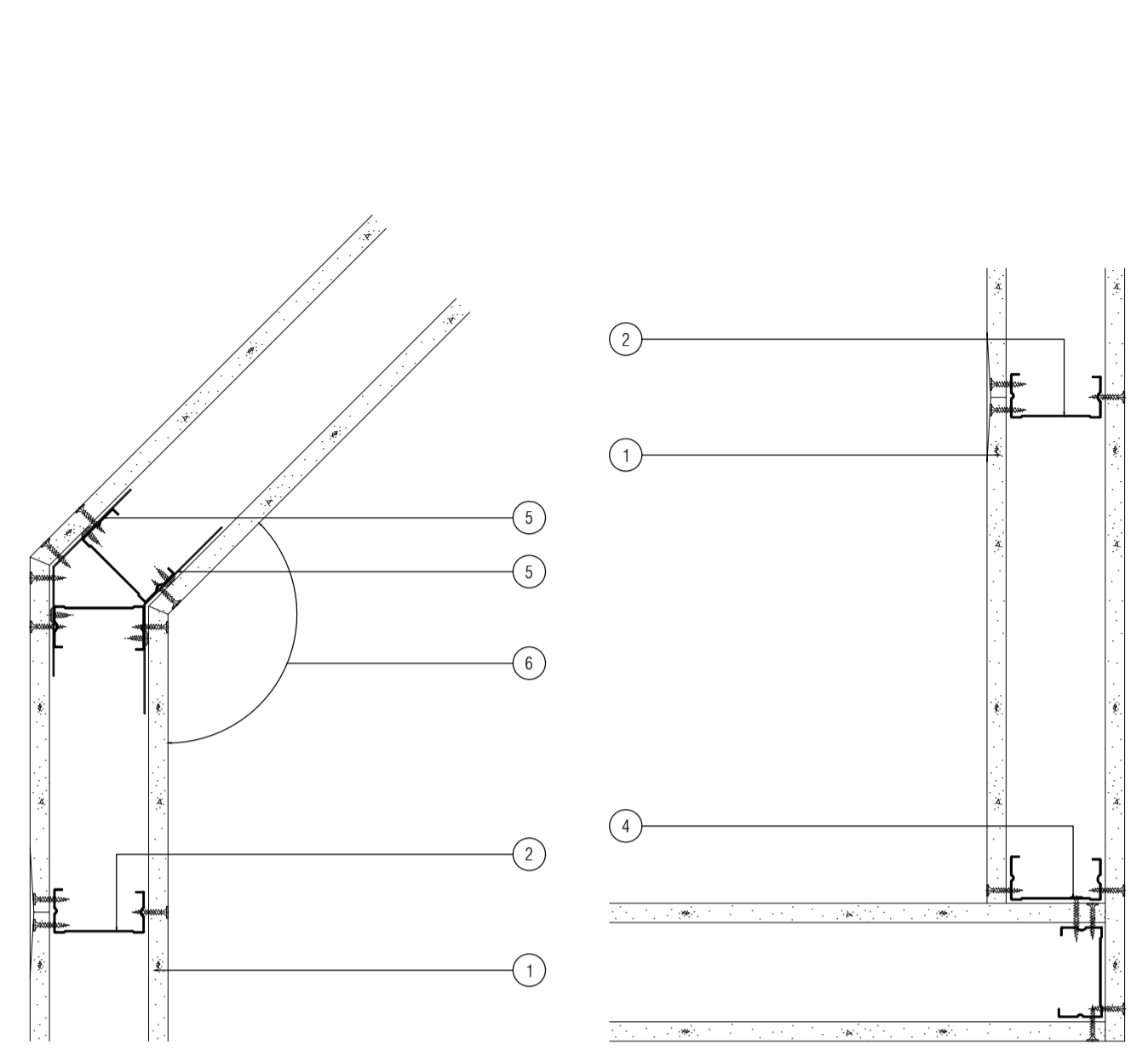


Base & Head Wall Abutment

GypWall CLASSIC - A206013
Metal Stud Partition
TYPICAL DETAILS READ WITH PROJECT SPECIFICATION
TY-101-31L1-01

GypWall CLASSIC - A206013

- 1 layer Gyproc plasterboard fixed with British Gyproc Drywall Screws at 300mm centres (200mm centres at external angles)
- Gyplframe 70 S 50 C studs at 600mm centres
- Gyplframe GA6 Splayed Angle fixed to head & base channels & studs with British Gyproc Water Head Drywall Screws at 600mm centres (no fixings to head channel for deflection head condition)
- Gyplframe 70 S 50 C stud fixed through plasterboard to stud with British Gyproc Drywall Screws at 600mm centres
- Minimum angle ensures Gyplframe GA6 Splayed Angle is fixed to studs at external angle

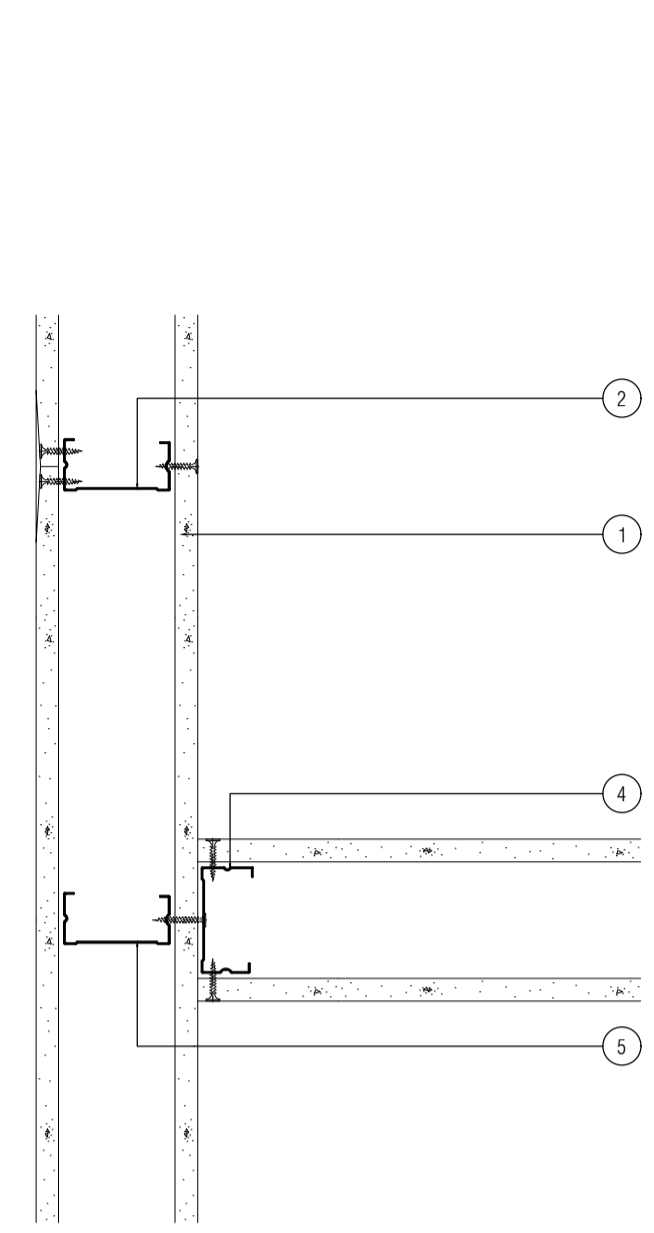


Splayed Angle Corner

GypWall CLASSIC - A206013
Metal Stud Partition
TYPICAL DETAILS READ WITH PROJECT SPECIFICATION
TY-101-31L1-02

GypWall CLASSIC - A206013

- 1 layer Gyproc plasterboard fixed with British Gyproc Drywall Screws at 300mm centres
- Gyplframe 70 S 50 C studs at 600mm centres
- Gyplframe 70 S 50 C stud fixed through plasterboard to stud with British Gyproc Drywall Screws at 600mm centres
- Additional Gyplframe 70 S 50 C stud at junction

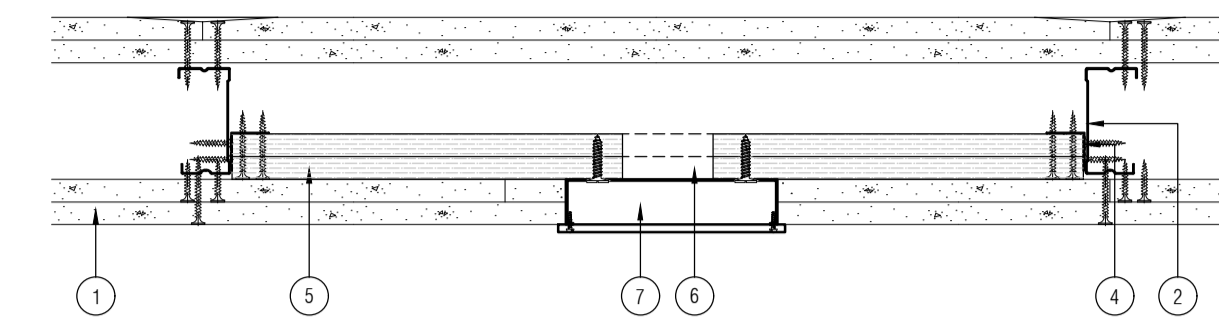


T Junction

GypWall CLASSIC - A206013
Metal Stud Partition
TYPICAL DETAILS READ WITH PROJECT SPECIFICATION
TY-101-31L1-03

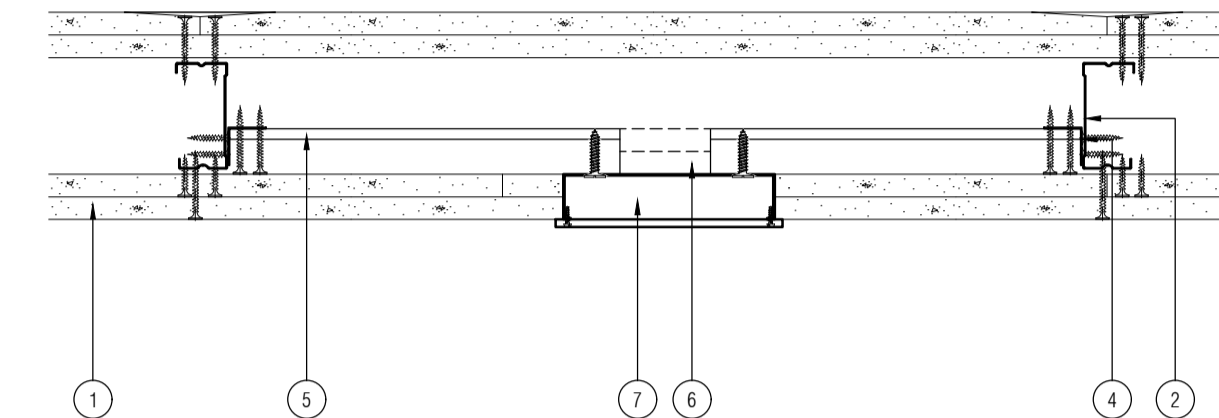
Patress detail 1* for the installation of cupboards, sinks and other medium to heavy weight wall fixed items.

- 2 layers Gyproc Wallboard plasterboard fixed with British Gyproc Drywall Screws at 300mm centres
- Gyplframe 70 S 50 C studs at 600mm centres
- Fix Gyplframe GA1 Steel Angle to web of metal studs with two Gyproc Water Head Screws. The face layer of patress to be equal in specification to face layer of partition boarding.
- MWP Marine ply thickness/layers as required by installation
- Core penetration for access where required
- Patress box where required



Patress detail 2* for the installation of socket back boxes and other light weight wall fixed items.

- 2 layers Gyproc Wallboard plasterboard fixed with British Gyproc Drywall Screws at 300mm centres
- Gyplframe 70 S 50 C studs at 600mm centres
- Fix Gyplframe GA1 Steel Angle to web of metal studs with two Gyproc Water Head Screws. The face layer of patress to be equal in specification to face layer of partition boarding.
- Gyplframe 99 FC 50 Fixing Channel**
- Core penetration for access where required
- Patress box where required

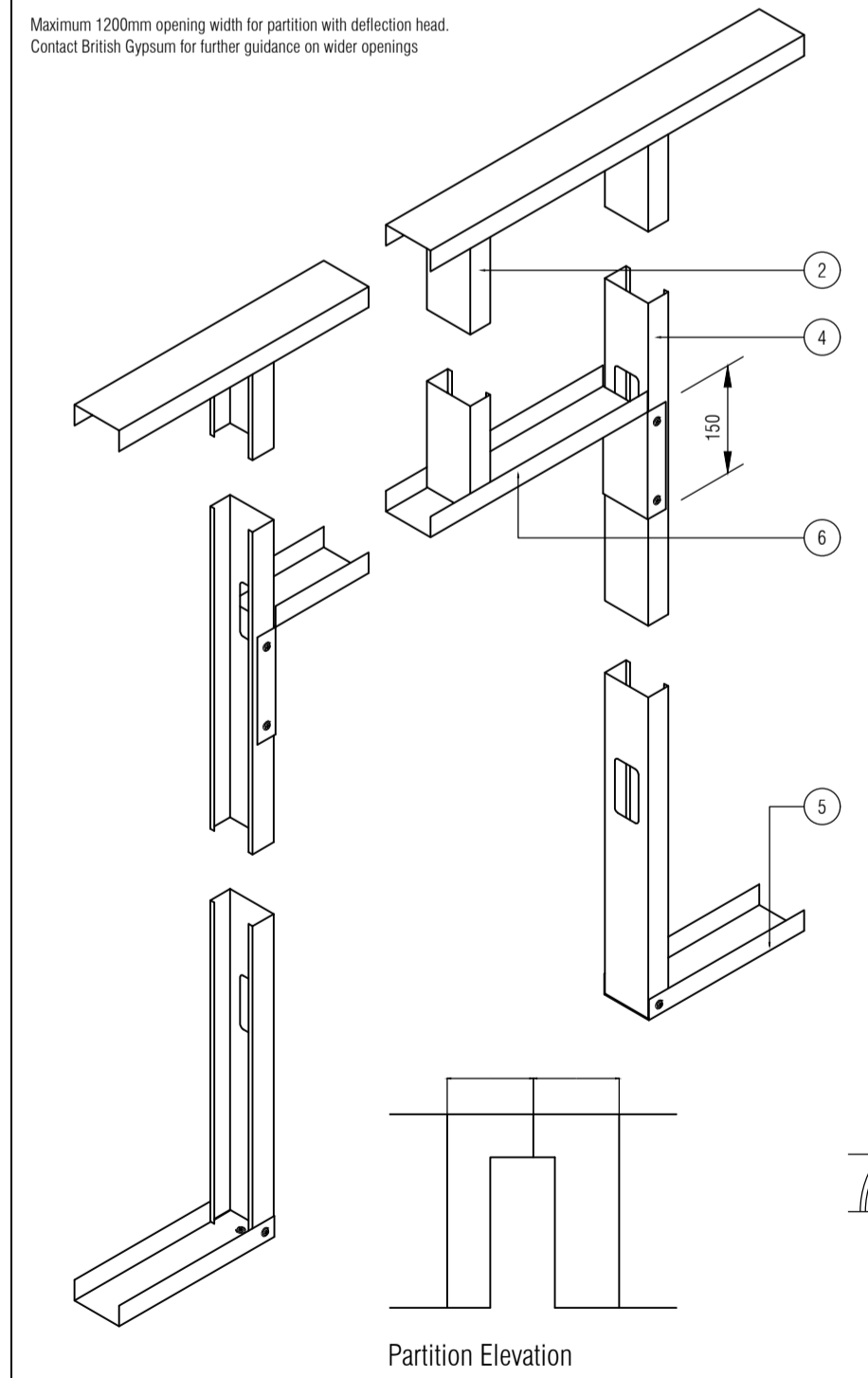


NB: Fixing channel or plywood backing to span full width between supporting studs and full height of supported unit

GypWall CLASSIC - A206013

Advice should be sought from the door manufacturer or installer prior to construction of this detail.
Maximum 1200mm opening width for partition with deflection head.
Contact British Gyproc for further guidance on wider openings.

- 1 layer Gyproc plasterboard fixed with British Gyproc Drywall Screws at 300mm centres
- Gyplframe 70 S 50 C studs at 600mm centres to maintain stud module
- Gyplframe 70 S 50 C stud at jamb
- Gyplframe 72 FEC 50 Channel suitably fixed to floor at 600mm centres
- Gyplframe 72 FEC 50 Channel cut & bent to extend 150mm down studs & fixed each side with 2 no. British Gyproc Water Head Drywall Screws or crimped
- Indicative timber door frame & architrave
- 72 x 38mm timber lining fixed around opening with British Gyproc Drywall Screws at 600mm centres



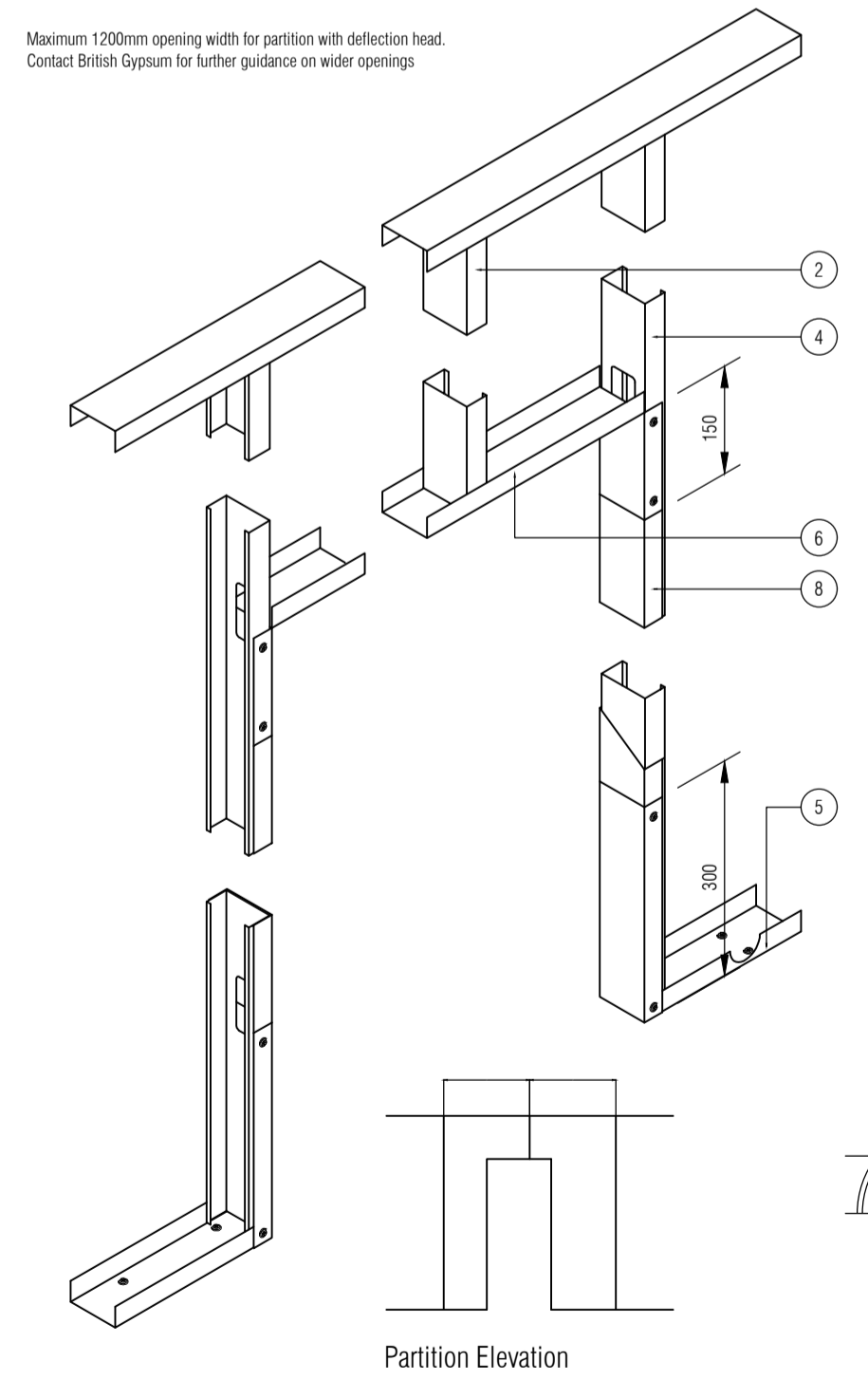
Door Opening - Maximum 1200mm Width
Maximum Door Weight 35kg to BS 5234: Parts 1 & 2: 1992 - Medium Duty

GypWall CLASSIC - A206013
Metal Stud Partition
TYPICAL DETAILS READ WITH PROJECT SPECIFICATION
TY-101-31L1-04

GypWall CLASSIC - A206013

Advice should be sought from the door manufacturer or installer prior to construction of this detail.
Maximum 1200mm opening width for partition with deflection head.
Contact British Gyproc for further guidance on wider openings.

- 1 layer Gyproc plasterboard fixed with British Gyproc Drywall Screws at 300mm centres
- Gyplframe 70 S 50 C studs at 600mm centres to maintain stud module
- Gyplframe 70 S 50 C stud at jamb
- Gyplframe 72 DC 60 Deep Channel suitably fixed through fire stop to soffit (or suitably fixed to head plate where specified) at 600mm centres
- Gyproc Sealant for optimum sound insulation
- Gyproc FireStrip
- 72mm wide strip of 19mm Gyproc CoreBoard
- 2 no. 72mm wide strips of 15mm Gyproc FireLine/Duraline pre-fixed to channel with British Gyproc Drywall Screws (joints staggered by 300mm). Alternatively 72 x 30mm timber head plate suitably fixed to soffit at 600mm centres
- Gyplframe Steel Angle or timber batten suitably fixed to soffit
- Gyplframe GA4 Steel Angle bedded on continuous bead of Gyproc Sealant & suitably fixed to soffit at 600mm centres (for optimum sound insulation if required by specifier or acoustic consultant)

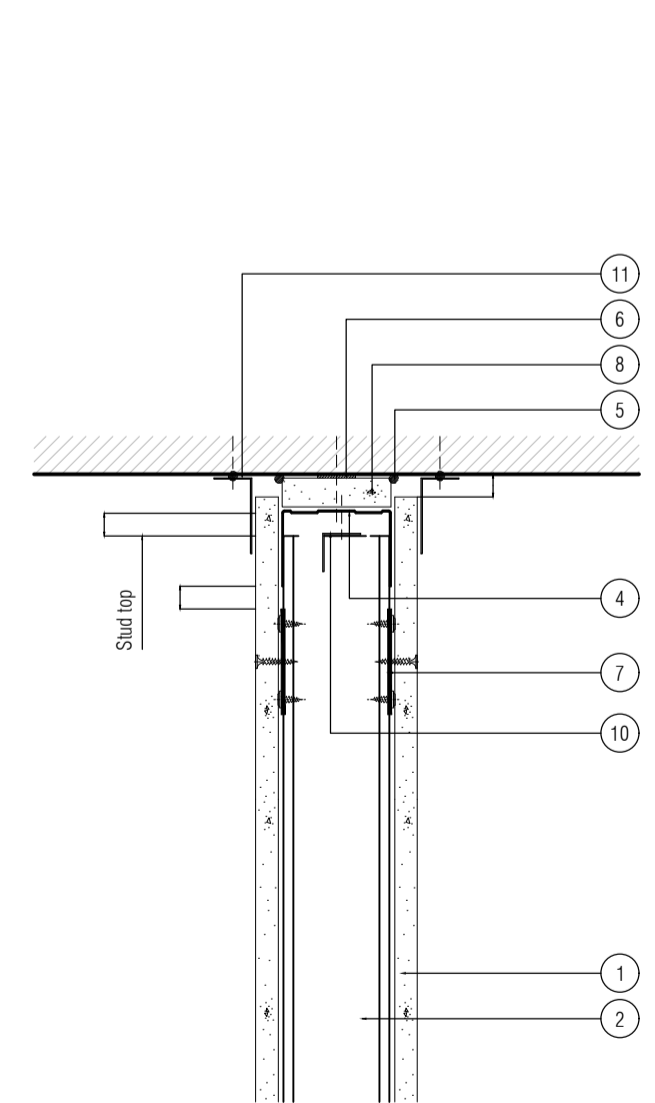


Door Opening - Maximum 1200mm Width
Maximum Door Weight 60kg to BS 5234: Parts 1 & 2: 1992 - Heavy & Severe Duty

GypWall CLASSIC - A206013
Metal Stud Partition
TYPICAL DETAILS READ WITH PROJECT SPECIFICATION
TY-101-31L1-05

GypWall CLASSIC - A206013

- 1 layer Gyproc plasterboard fixed with British Gyproc Drywall Screws at 300mm centres
- Gyplframe 70 S 50 C studs at 600mm centres
- Gyplframe 72 DC 60 Deep Channel suitably fixed through fire stop to soffit (or suitably fixed to head plate where specified) at 600mm centres
- Gyproc Sealant for optimum sound insulation
- Gyproc FireStrip
- 72mm wide strip of 19mm Gyproc CoreBoard
- 2 no. 72mm wide strips of 15mm Gyproc FireLine/Duraline pre-fixed to channel with British Gyproc Drywall Screws (joints staggered by 300mm). Alternatively 72 x 30mm timber head plate suitably fixed to soffit at 600mm centres
- Gyplframe Steel Angle or timber batten suitably fixed to soffit
- Gyplframe GA4 Steel Angle bedded on continuous bead of Gyproc Sealant & suitably fixed to soffit at 600mm centres (for optimum sound insulation if required by specifier or acoustic consultant)

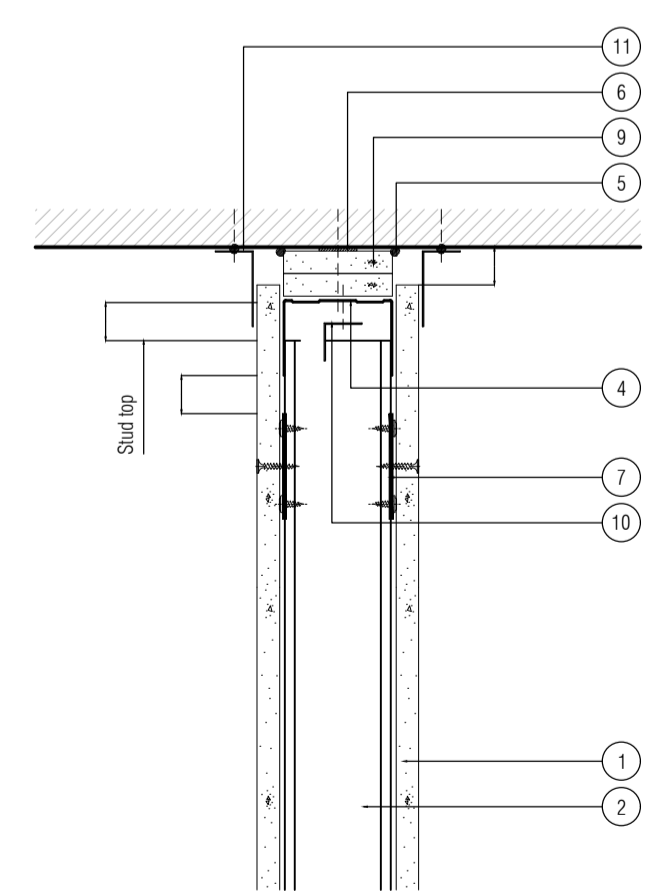


Deflection Head
15mm Downward Movement & 30 or 60 Minutes Fire Resistance (Subject to Plasterboard Type)
Design team should be consulted for actual deflection criteria

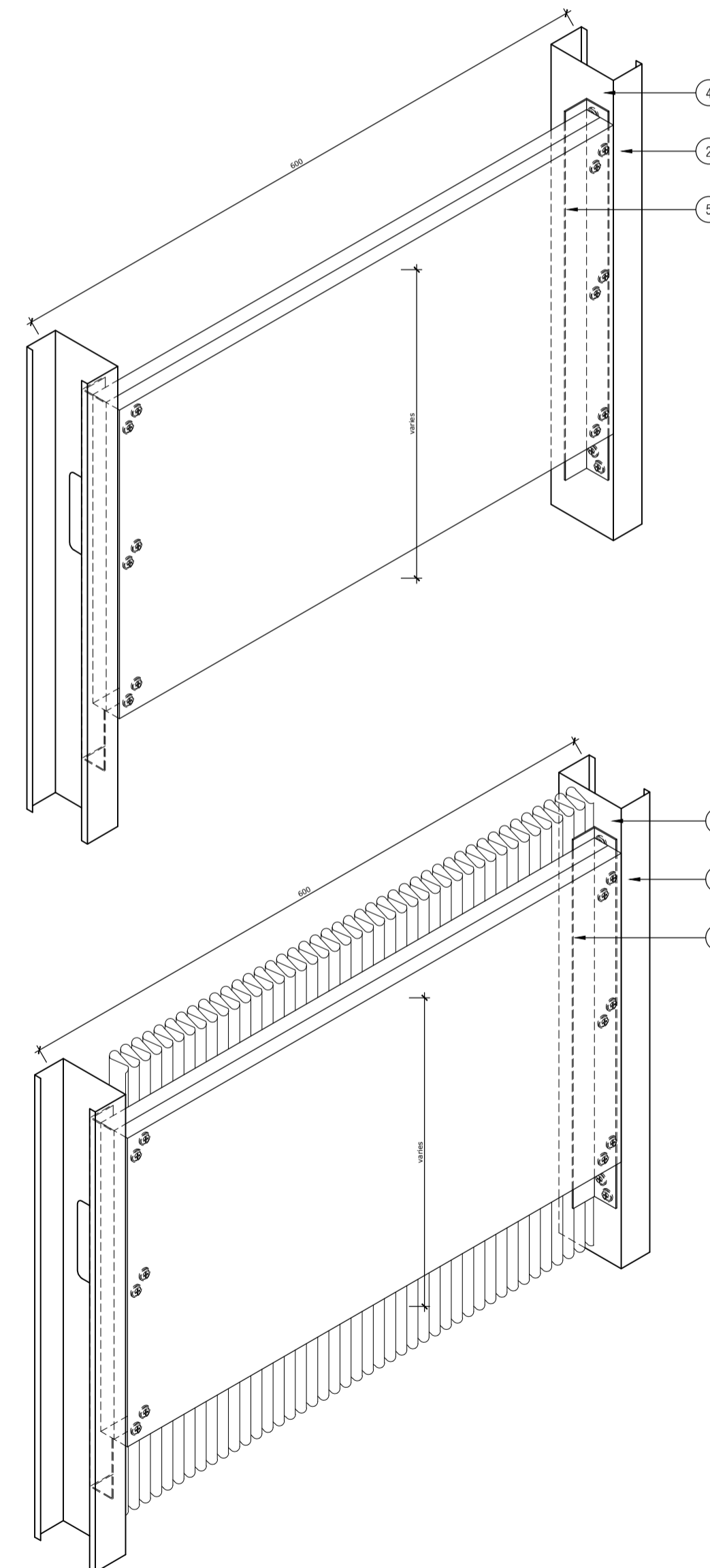
GypWall CLASSIC - A206013
Metal Stud Partition
TYPICAL DETAILS READ WITH PROJECT SPECIFICATION
TY-101-31L1-06

GypWall CLASSIC - A206013

- 1 layer Gyproc plasterboard fixed with British Gyproc Drywall Screws at 300mm centres
- Gyplframe 70 S 50 C studs at 600mm centres
- Gyplframe 72 DC 60 Deep Channel suitably fixed through fire stop to soffit (or suitably fixed to head plate where specified) at 600mm centres
- Gyproc Sealant for optimum sound insulation
- Gyproc FireStrip
- 72mm wide strip of 19mm Gyproc CoreBoard
- 2 no. 72mm wide strips of 15mm Gyproc FireLine/Duraline pre-fixed to channel with British Gyproc Drywall Screws (joints staggered by 300mm). Alternatively 72 x 30mm timber head plate suitably fixed to soffit at 600mm centres
- Gyplframe Steel Angle or timber batten suitably fixed to soffit
- Gyplframe GA4 Steel Angle bedded on continuous bead of Gyproc Sealant & suitably fixed to soffit at 600mm centres (for optimum sound insulation if required by specifier or acoustic consultant)



Deflection Head
25mm Downward Movement & 30 or 60 Minutes Fire Resistance (Subject to Plasterboard Type)
Design team should be consulted for actual deflection criteria



- CONTRACTOR IS RESPONSIBLE FOR ALL SETTING OUT AND MUST CHECK DIMENSIONS ON SITE BEFORE WORK IS PUT IN HAND
- WRITTEN DIMENSIONS ONLY TO BE TAKEN THIS DRAWING MUST NOT BE SCALED
- ARCHITECT TO BE IMMEDIATELY NOTIFIED OF SUSPECTED OMISSIONS OR DISCREPANCIES

REVISIONS	DATE	BY
C1 ISSUED FOR CONSTRUCTION	24.10.16	rk

Partition Strategy Key
All partition information, details and specifications subject to confirmation by Drywall Contractor and are to be in accordance with Manufacturers design and instructions. Architect to be notified immediately upon discovery of variation to the details shown.

Internal Walls
Wall Type A - British Gyproc ref: A206045 WA WA WA
Wall Type B - British Gyproc ref: A206013 WB WB WB

ISSUED FOR CONSTRUCTION

RDJW
ARCHITECTS



RDJW ARCHITECTS LIMITED
QUIN HOUSE . 9-11 EAST PARK
CRAWLEY . WEST SUSSEX . RH10 6AN
TEL: 01293 404300 . FAX: 01293 404299
E M A I L : info@rdjwarchitects.co.uk
W E B S I T E : www.rdjwarchitects.co.uk

PROJECT
NEW WAREHOUSE
HORSHAM FLOORINGS
AND FURNISHINGS
HORSHAM

PROPOSED
WALL TYPE B - A206013
DETAILS

DATE	26.01.16	SCALE	nts
DRAWN	rk	DRG. NO.	4817-502
CHECKED	rk	REV.	C1