

NB: All information based on supplied third party survey information. All discrepancies to be reported to RDJW immediately upon discovery.

All Services, M&E and Structural information shown indicative only. Please refer to relevant Specialist Consultant documentation.

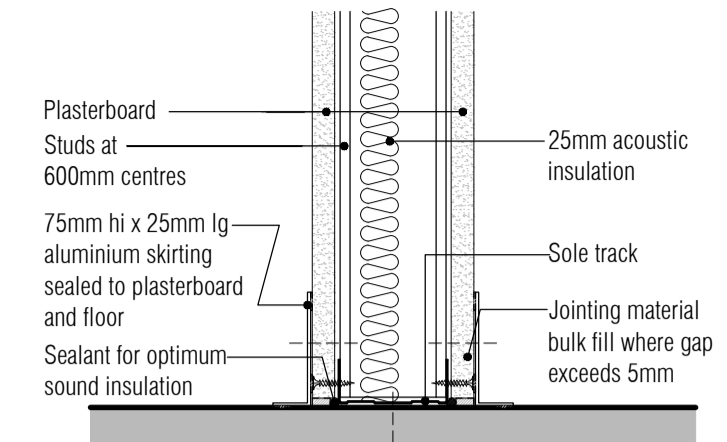
NB: All levels are approximate and are subject to further site investigation prior to construction. All discrepancies to be reported to RDJW immediately.

It is the responsibility of the Client to manage the Health and Safety aspects of the project or nominate and agree a "Principle Designer".

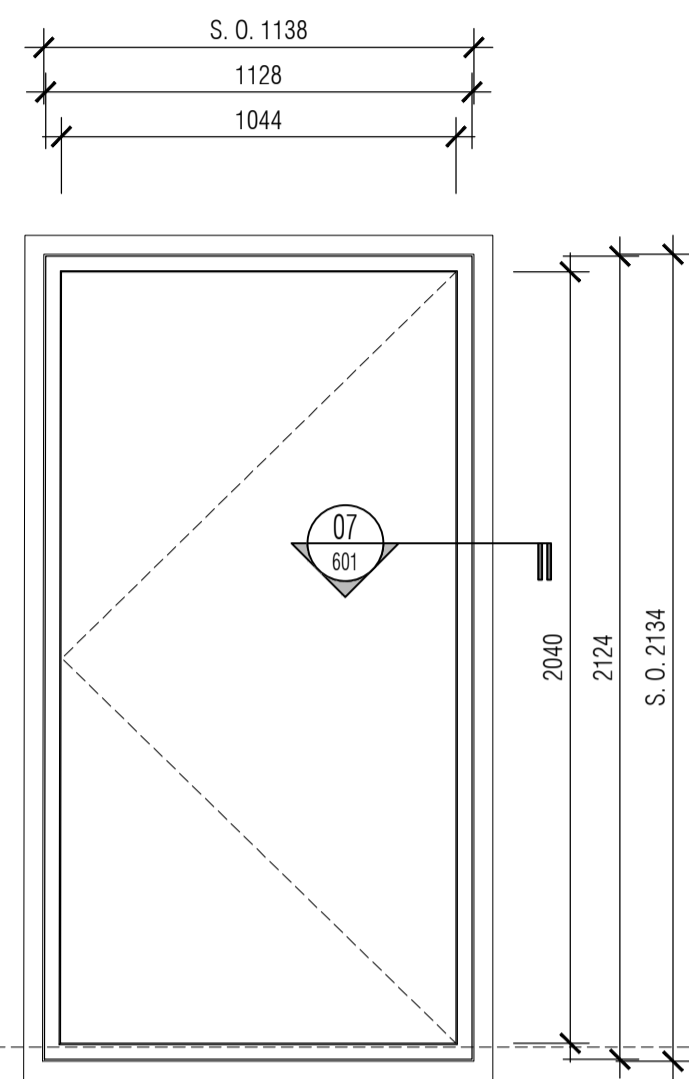
- xref's loaded in file

1. CONTRACTOR IS RESPONSIBLE FOR ALL SETTING OUT AND MUST CHECK DIMENSIONS ON SITE BEFORE WORK IS PUT IN HAND
2. WRITTEN DIMENSIONS ONLY TO BE TAKEN THIS DRAWING MUST NOT BE SCALED
3. ARCHITECT TO BE IMMEDIATELY NOTIFIED OF SUSPECTED OMISSIONS OR DISCREPANCIES

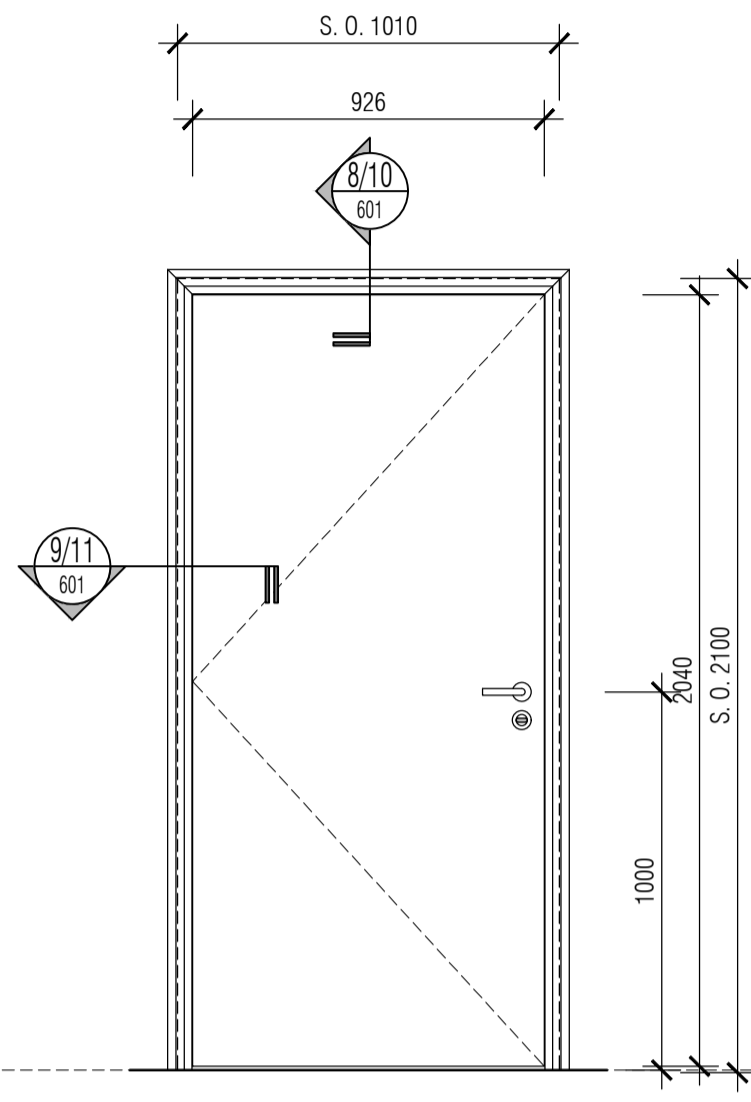
REVISIONS	DATE	BY
C1 ISSUED FOR CONSTRUCTION	24.10.16	rk



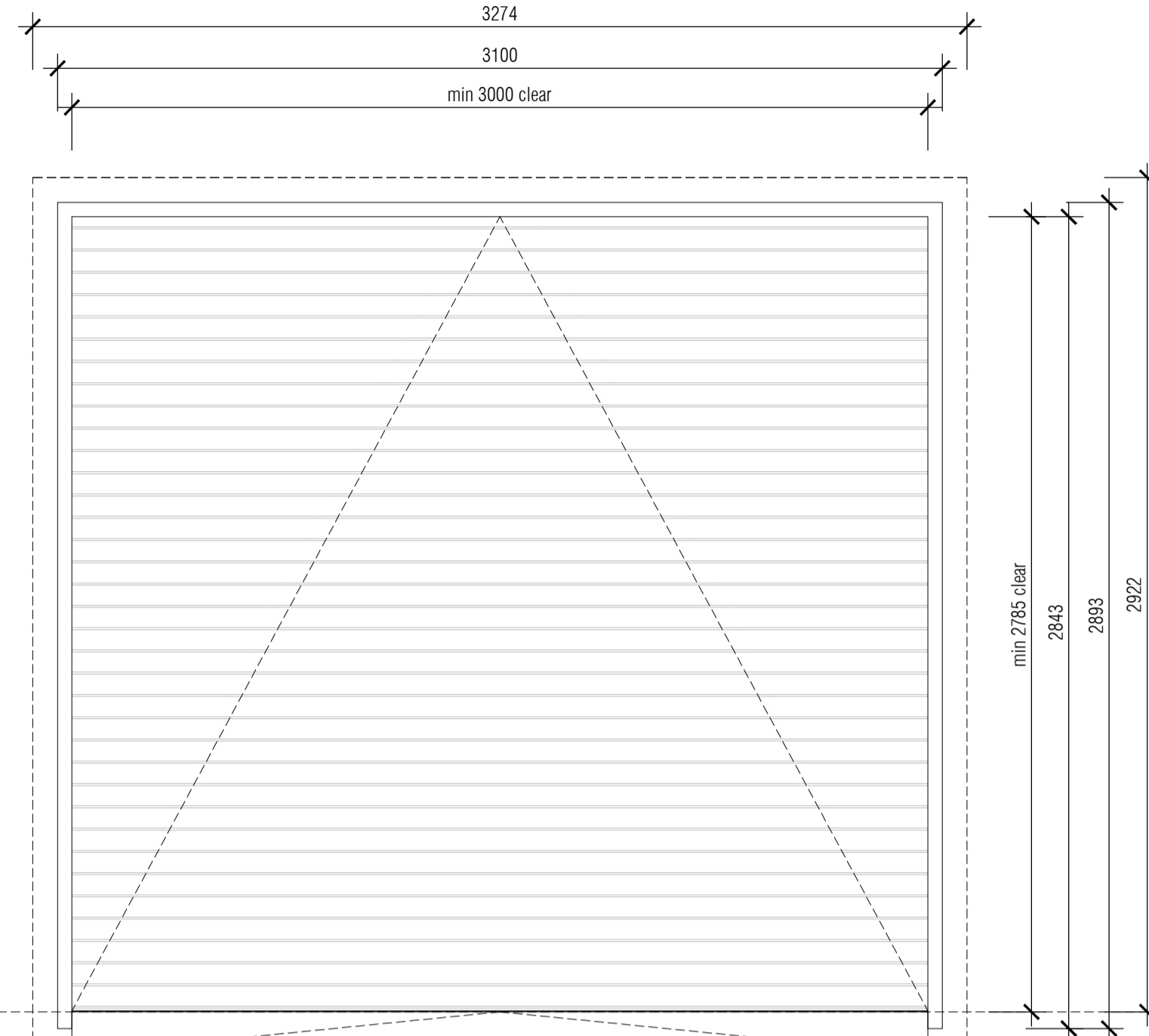
12 Typical Skirting Detail
Scale: 1:5



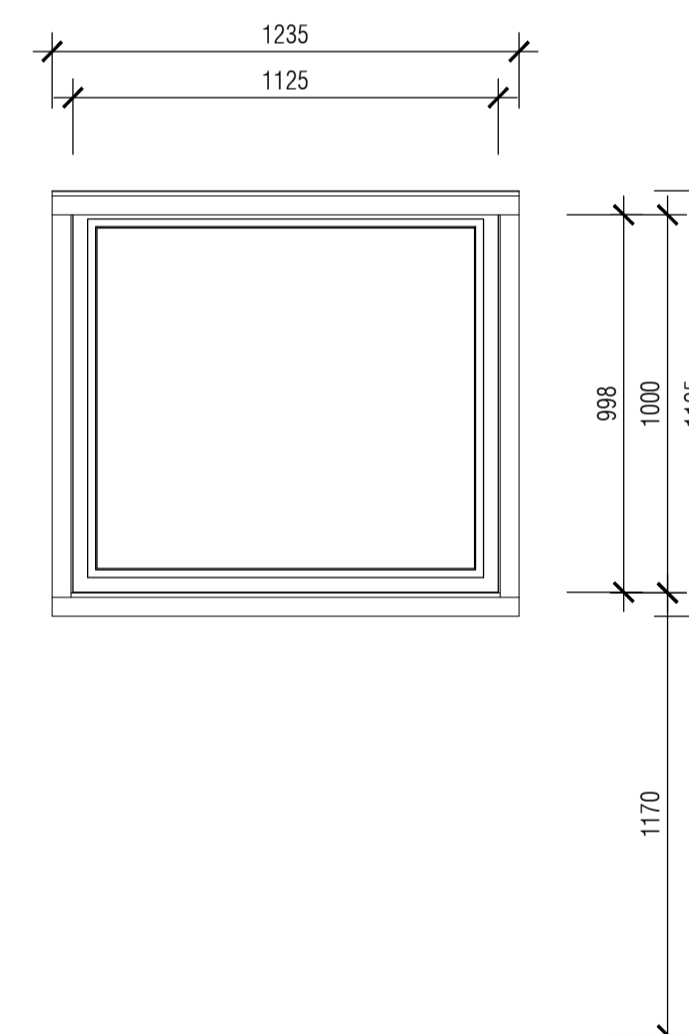
01 Door Assembly Type A
Scale: 1:20



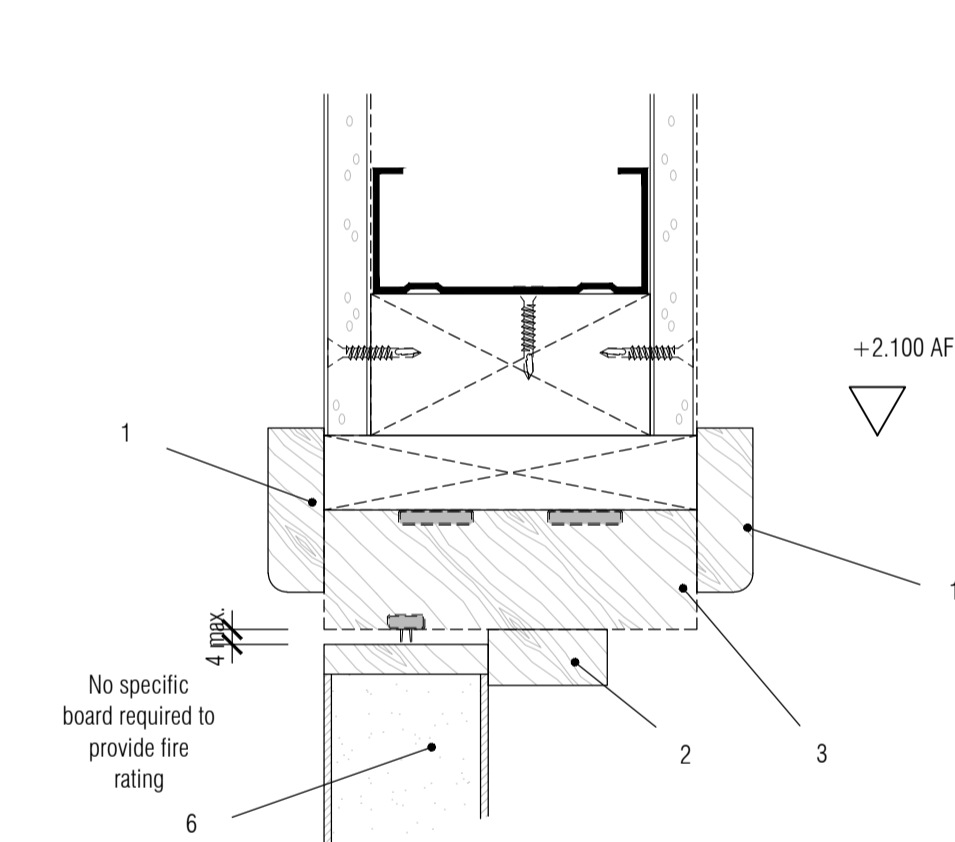
02 Door Assembly Type B
Scale: 1:20



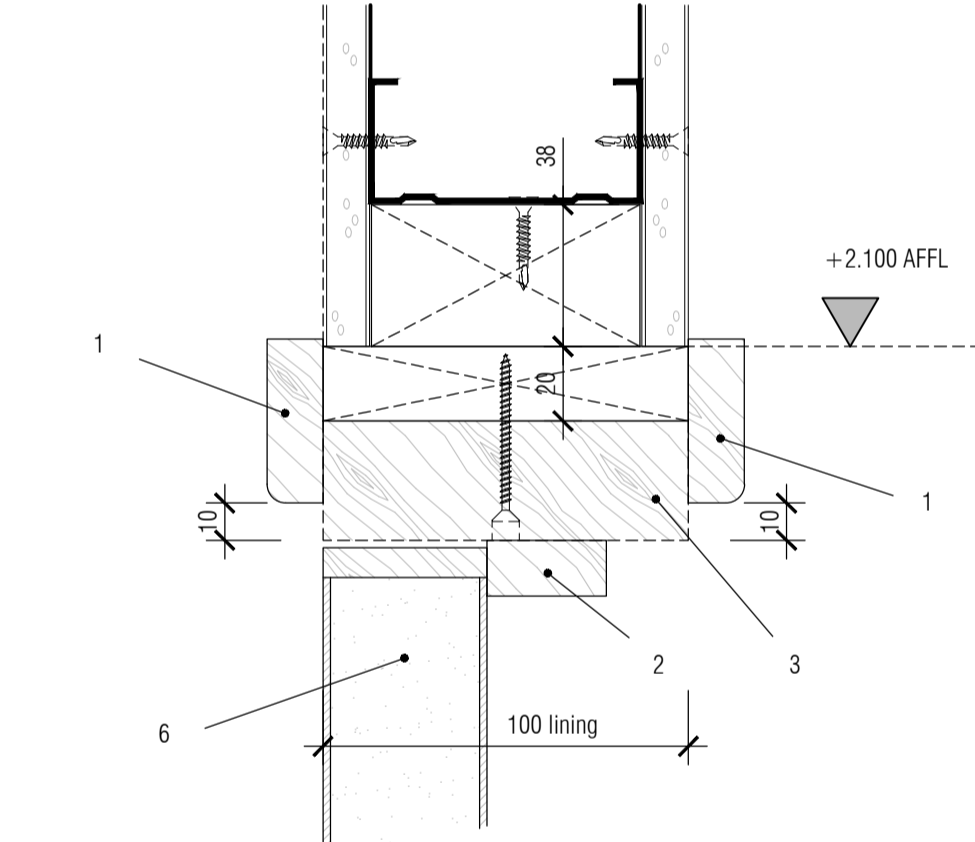
03 Door Assembly Type C
Scale: 1:20



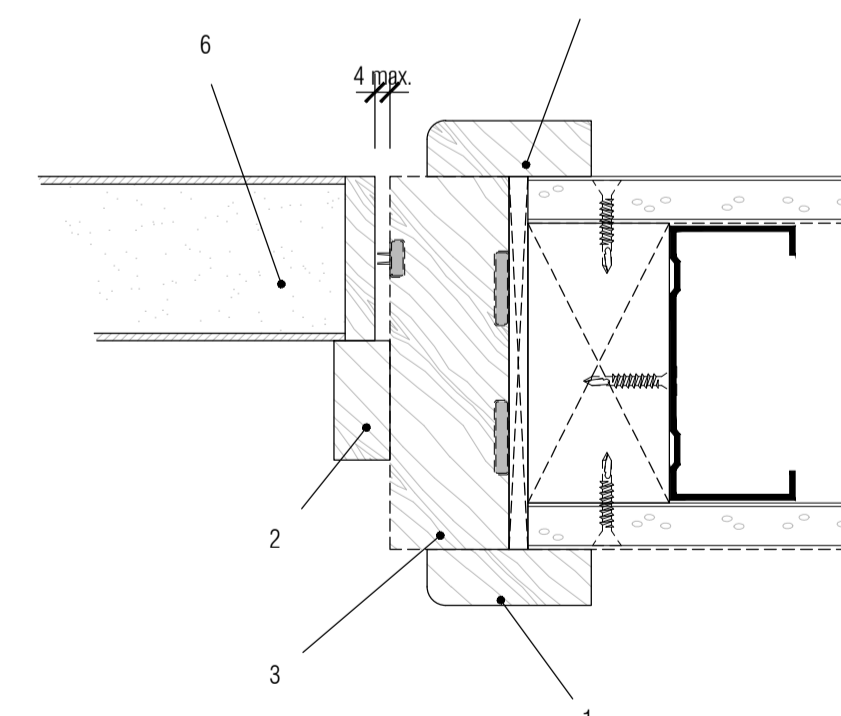
05 Window Assembly Type A
Scale: 1:20



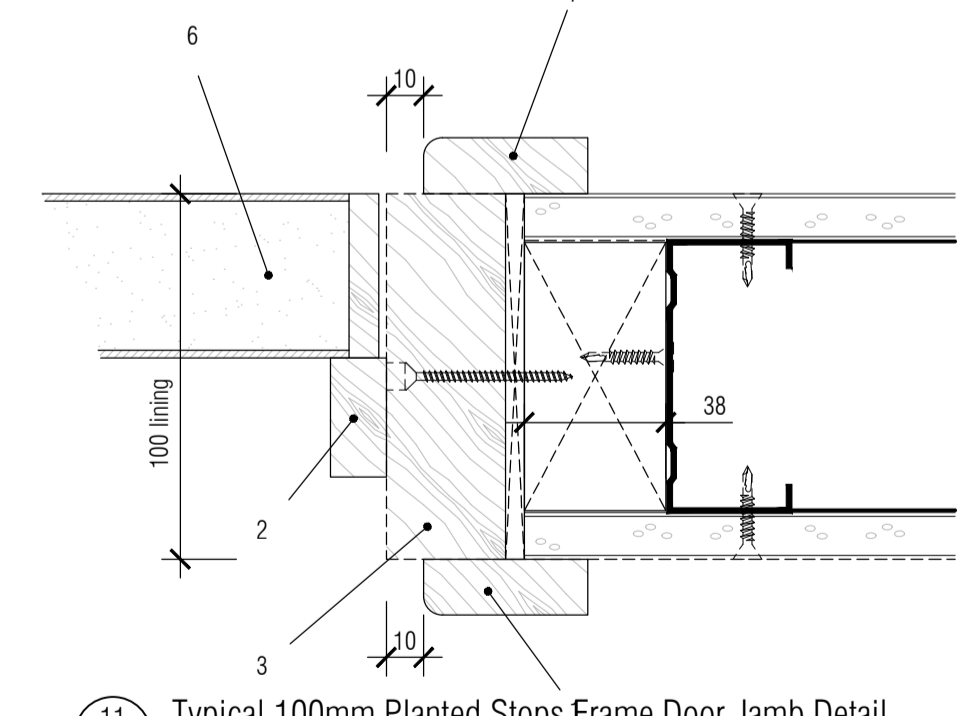
08 Typical FR30s Planted Stops Frame Door Head Detail
Scale: 1:2



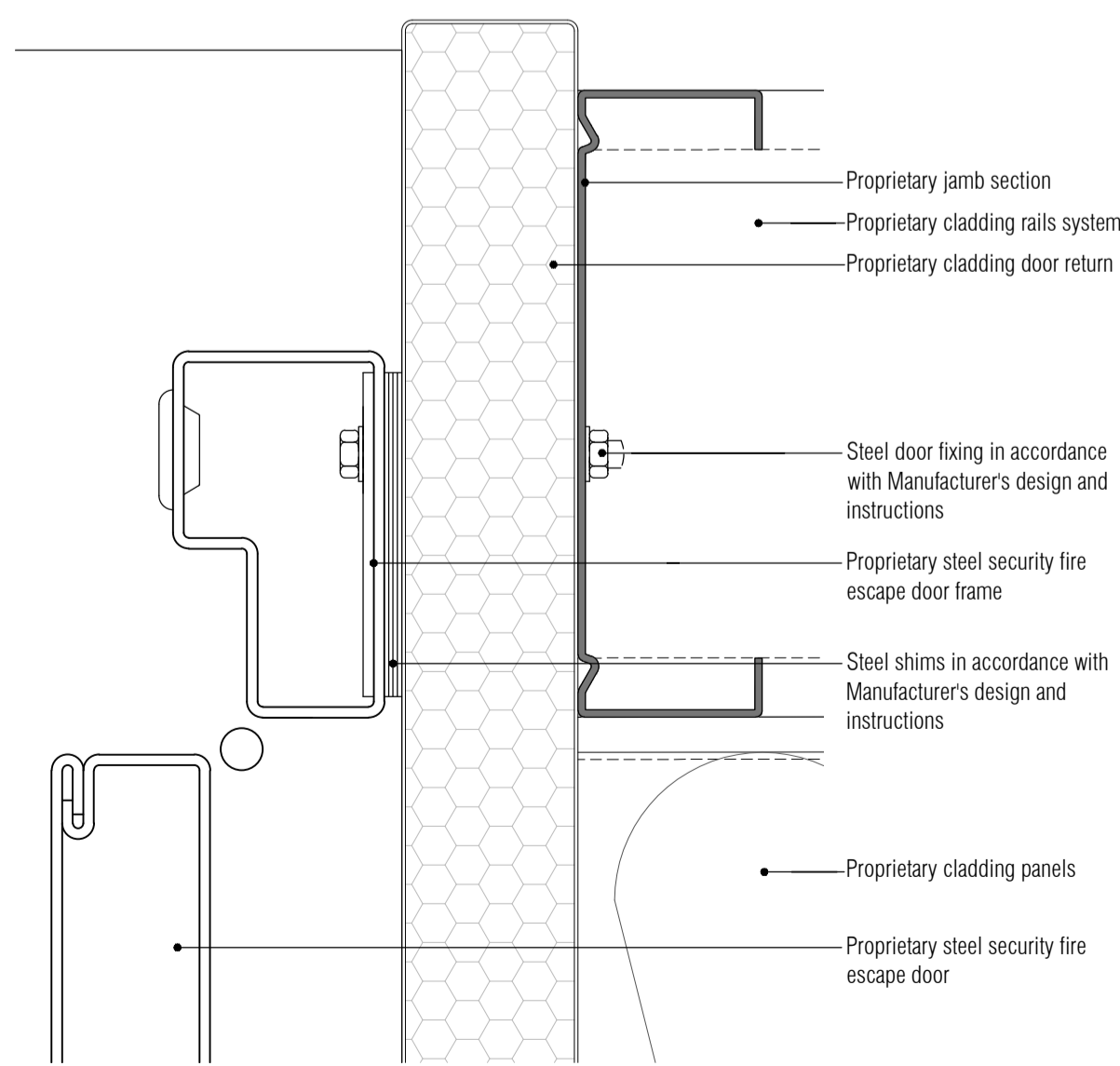
10 Typical 100mm Planted Stops Frame Door Head Detail
Scale: 1:2



09 Typical FR30s Planted Stops Frame Door Jamb Detail
Scale: 1:2



11 Typical 100mm Planted Stops Frame Door Jamb Detail
Scale: 1:2



07 Steel Door Jamb Detail
Scale: 1:20

General Construction Notes:
All components of the door and frame elements / doorset assembly to be in strict accordance with the following current standards (including those later superseded by European Standards), as relevant:
BS 476 Parts 20+22 (fire resistance of non-loadbearing elements of construction) and 31.1 (smoke penetration thro. doorset and shutter assemblies).
BS 5588: as relevant (general fire precautions in the design and construction of buildings).
BS 8214 (ACoP for fire door assemblies with non-metallic leaves).
BS EN ISO 140-3 (measurement of sound insulation in buildings and of building elements).
In addition to the above standards, all construction is to achieve full compliance with the current Building Regulations Approved Documents, particularly the following:
Part B (Fire Safety), Part E (Resistance to the passage of sound), Part L1/L2 (conservation of fuel and power) Part M (Access to and use of buildings), and Part N (Glazing).
Plywood packing or similar approved to all non-fire rated doors (continuous hardwood packing to fire rated doors) to nominal 5mm zone to jambs and nominal 20mm at heads unless otherwise shown on details.
All packing to be solid. Any gaps between wall and door frame to be packed with mineral fibre / fire-rated styrofoam to maintain fire and smoke integrity. External doors to be sealed continuously at perimeter between structure and frame using suitable mastic / polysulphide sealant (gun applied). Voids between packing to be filled with styrofoam prior to sealing. For all finishes (door leaf and frame) refer to door schedule for details (paint grade / high pressure laminate / HW veneer - species / etc).

Legend:
1. Architraves from painted softwood / MDF / hardwood as specified, 44 x 15mm fin. (replace with 15 x 15mm scotia at flanking situations where shown) with single pencil rounded edges to internal corners. 1a. Feature recess detail in lieu of traditional plant-on architrave, from British Gypsum (BMG106) o.s.a. - type to suit wet plaster / board finish as appropriate.
2. Planted door stops from painted softwood as specified (hardwood required to doorset constructions fire-rated to in excess of 1 hour integrity), 32 x 12mm fin. with single pencil rounded edge to external exposed corner.
3. Door frames / linings from painted softwood as specified (hardwood required to doorset constructions fire-rated to in excess of 1 hour integrity), 32mm thick fin. - where necessary stop to be rebated from 44mm thick lining as indicated (depth varies to suit structural opening condition - check on site).
4. Nom. 44mm thick internal door leaf / leaves with 6mm concealed HW lipings to jambs. FR30s doorset constructions required for fire-rated doors (actual leaf thickness t.b.c. by supplier).
5. Proprietary external steel security door and frame, pre-finished as specification. Secured to structure using steel rawl bolts as manufacturer's design and specification. Use steel packing shims as necessary, any voids between wall and frame to be packed with mineral fibre / styrofoam to maintain integrity as necessary.
NB: Fire / smoke seals to be recessed and glued into door linings / frames where ever possible (otherwise locate within door lipings), as manufacturer's design and specification.

ISSUED FOR CONSTRUCTION

RDJW
ARCHITECTS



RDJW ARCHITECTS LIMITED
QUIN HOUSE . 9-11 EAST PARK
CRAWLEY . WEST SUSSEX . RH10 6AN
TEL: 01293 404300 . FAX: 01293 404299
EMAIL: info@rdjwarchitects.co.uk
WEBSITE: www.rdjwarchitects.co.uk

PROJECT
NEW SHOWROOM
HORSHAM FLOORINGS
AND FURNISHINGS
HORSHAM

PROPOSED
DOOR & WINDOW
ELEVATIONS AND DETAILS

DATE	04.01.16	SCALE	1:50 @ A1
DRAWN	RKC	DRG. NO.	4817-601
CHECKED		REV.	C1