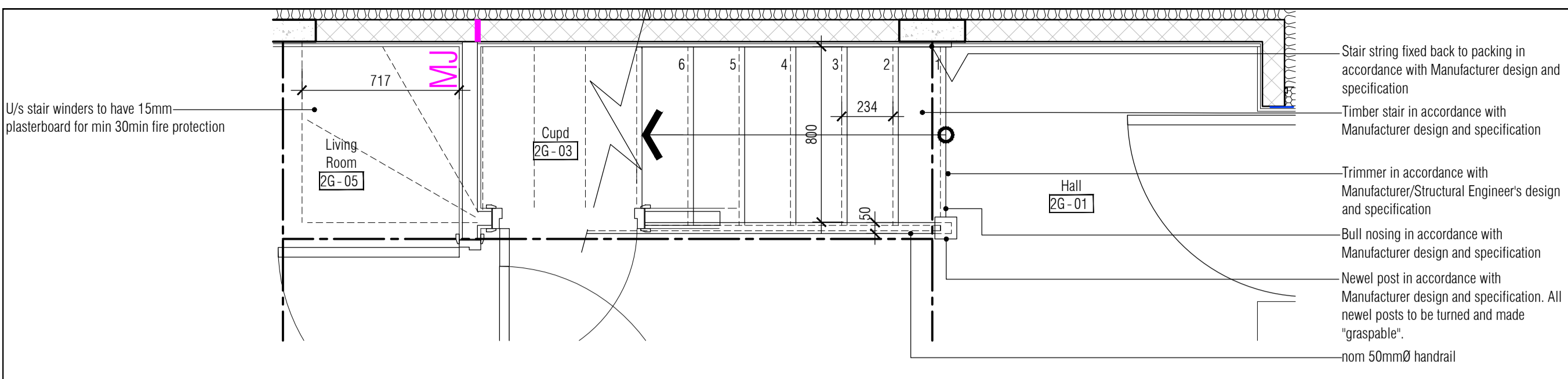
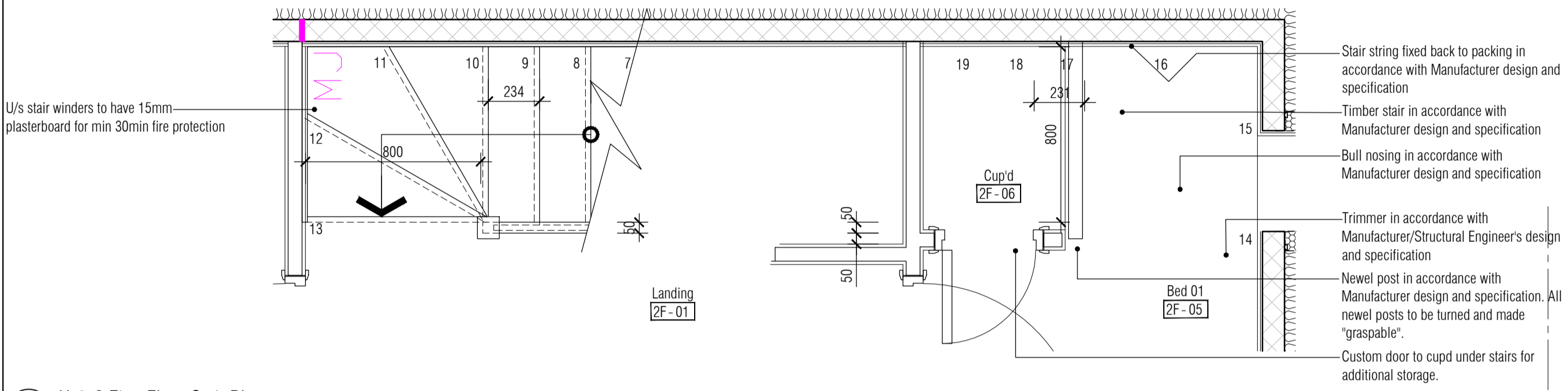


1. CONTRACTOR IS RESPONSIBLE FOR ALL SETTING OUT AND MUST CHECK DIMENSIONS ON SITE BEFORE WORK IS PUT IN HAND
2. WRITTEN DIMENSIONS ONLY TO BE TAKEN THIS DRAWING MUST NOT BE SCALED
3. ARCHITECT TO BE IMMEDIATELY NOTIFIED OF SUSPECTED OMISSIONS OR DISCREPANCIES

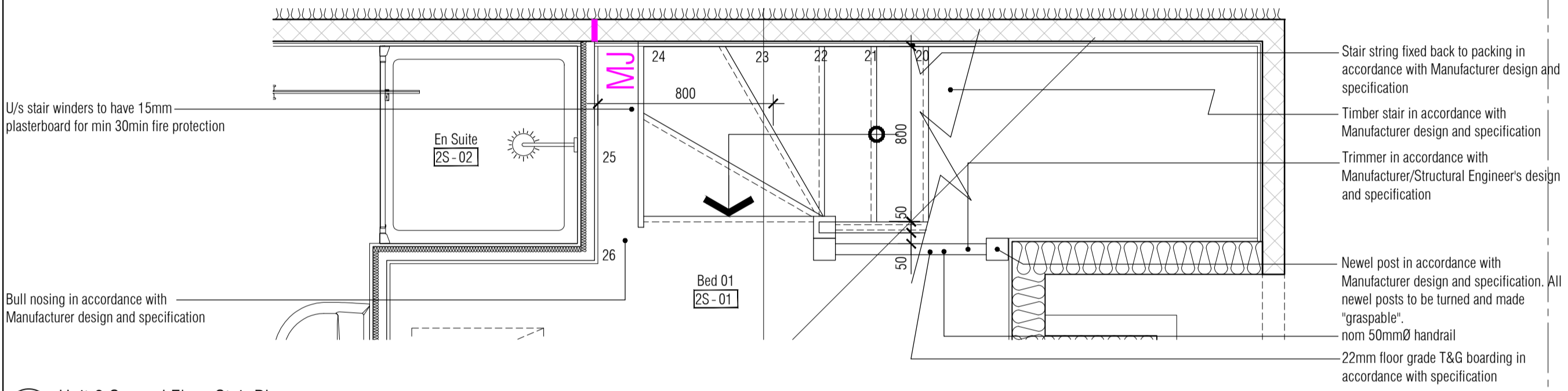
REVISIONS		
C1	ISSUED FOR CONSTRUCTION	24.10.16 rkc



01 Unit 2 Ground Floor Stair Plan
Scale: 1:20



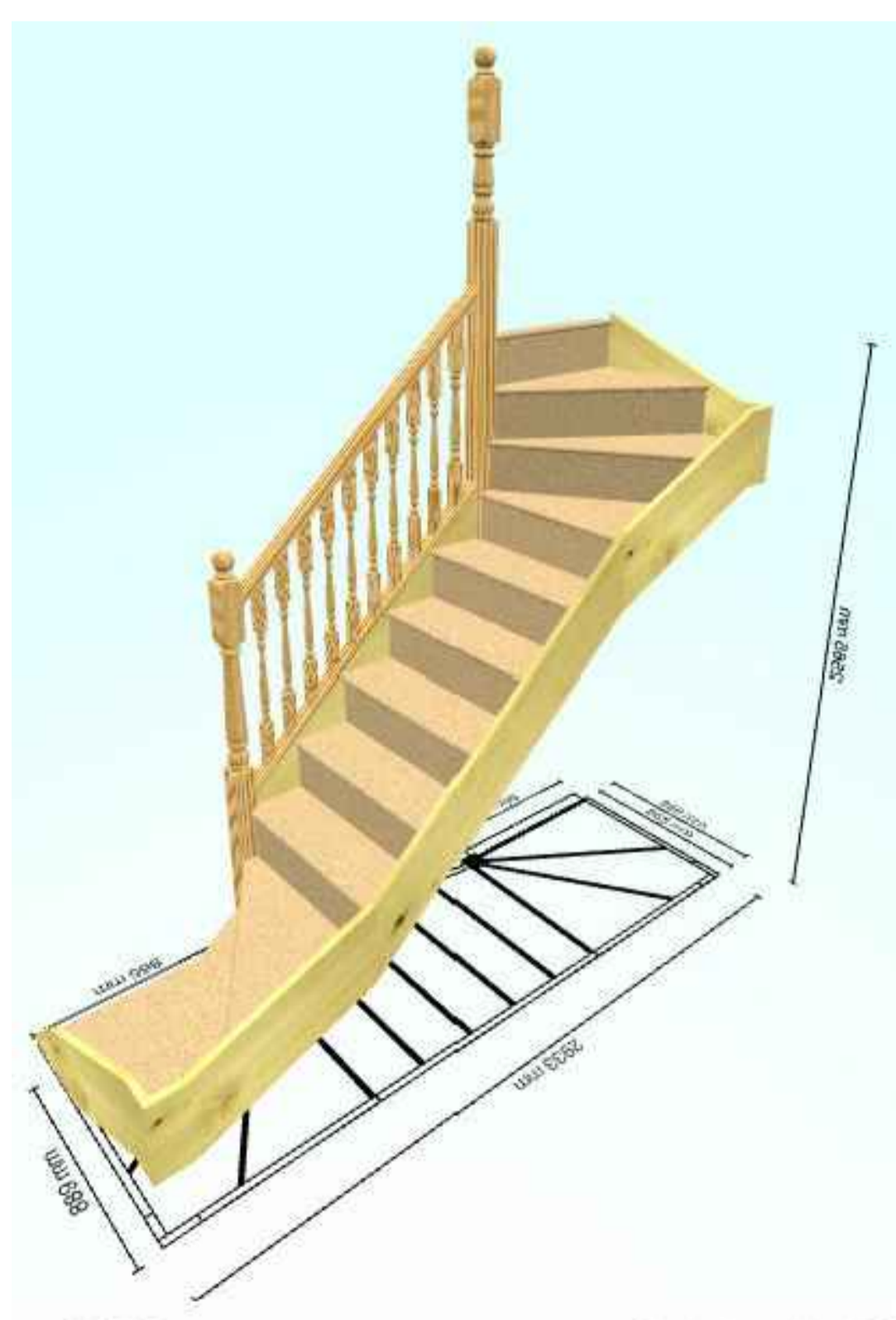
02 Unit 2 First Floor Stair Plans
Scale: 1:20



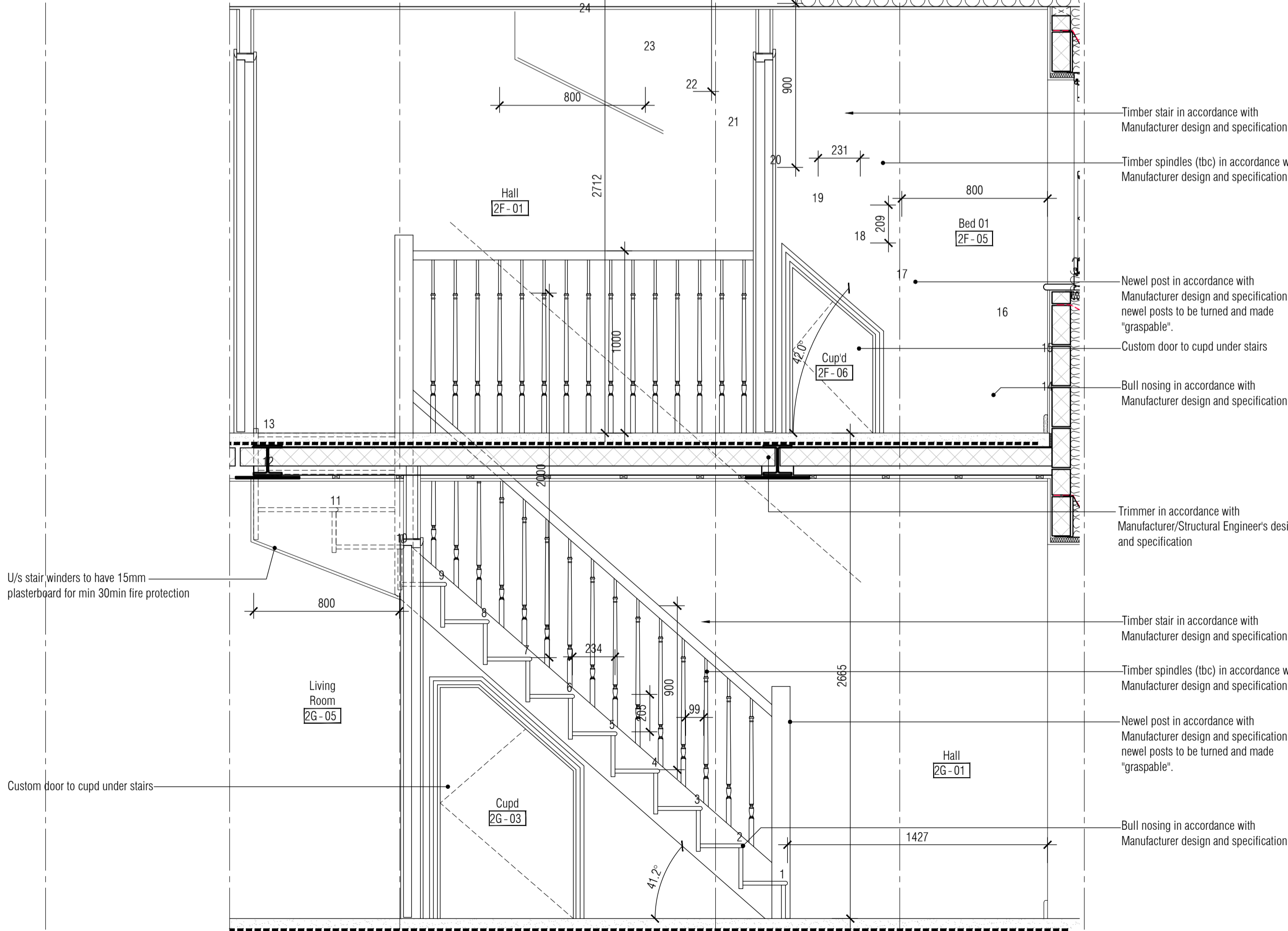
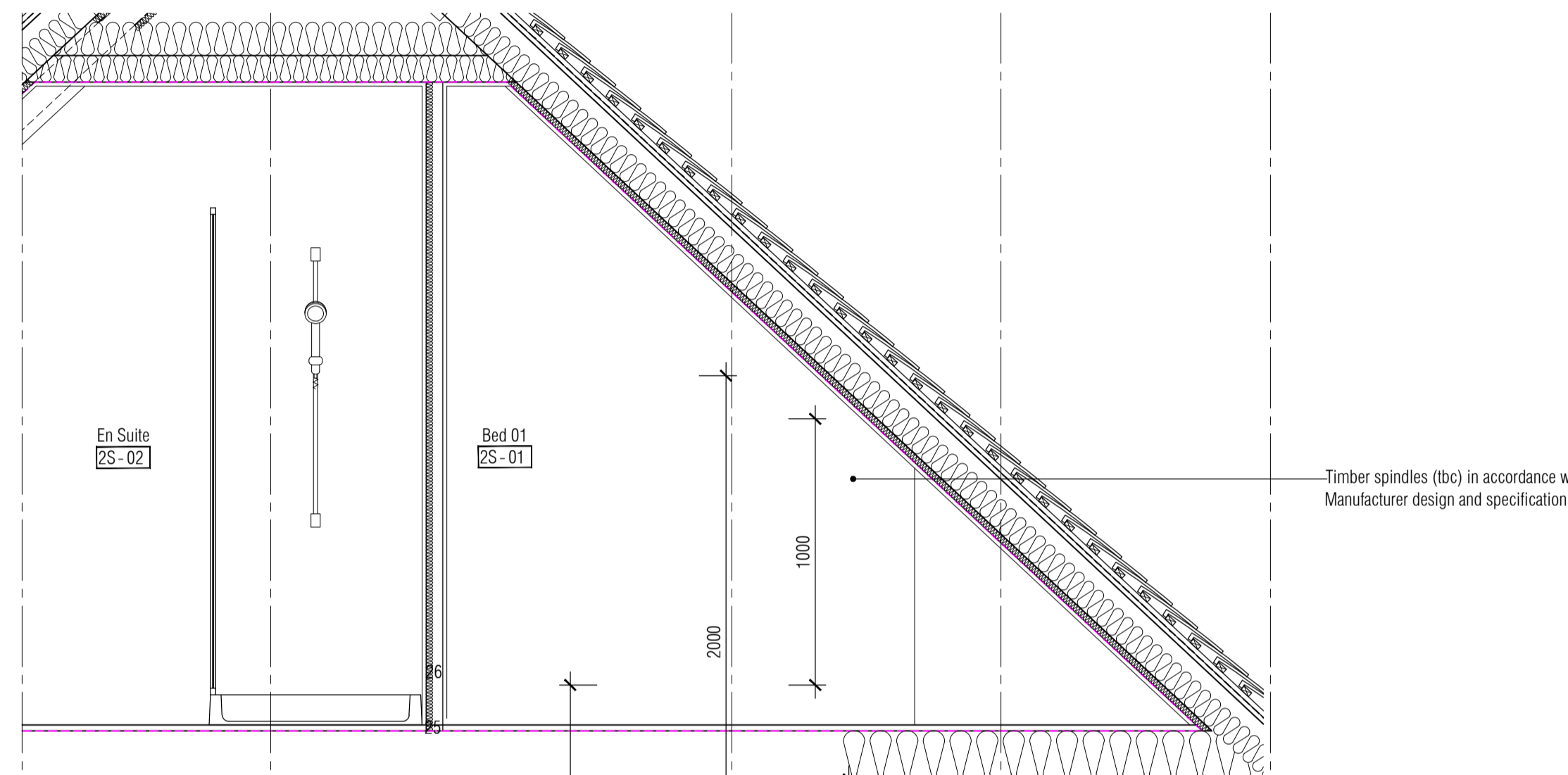
03 Unit 2 Second Floor Stair Plan
Scale: 1:20



05 Unit 2 Stair 01 Axo (illustration only)
Scale: nts



06 Unit 2 Stair 02 Axo (illustration only)
Scale: nts



04 Unit 2 Stair Section
Scale: 1:20

STAIRCASE CRITERIA			Unit 1 - 4 Stair 01
Ground to First	floor total rise	=	2665 mm
12 number of RISERS	@	=	205 mm
12 number of GOINGS	@	=	233.8 mm
PITCH of stair to be		=	41.24 °
Overall STRINGS to be		=	865 mm
Height to top of handrail to be min 900mm			
Height to top of guarding to be max 1100mm			
Ballusters to be max 100mm clear spaced apart.			
Min 2000mm clear headroom above stair pitch line.			

STAIRCASE CRITERIA			Unit 1 - 4 Stair 02
First to Second	floor total rise	=	2562 mm
12 number of RISERS	@	=	213 mm
11 number of GOINGS	@	=	247 mm
PITCH of stair to be		=	42 °
Overall STRINGS to be		=	865 mm
Height to top of handrail to be min 900mm			
Height to top of guarding to be max 1100mm			
Ballusters to be max 100mm clear spaced apart.			
Min 2000mm clear headroom above stair pitch line.			

ISSUED FOR CONSTRUCTION



RDJW ARCHITECTS LIMITED
 QUOIN HOUSE . 9-11 EAST PARK
 CRAWLEY . WEST SUSSEX . RH10 6AN
 TEL: 01293 404300 . FAX: 01293 404299
 E M A I L : info@rdjwarchitects.co.uk
 W E B S I T E : www.rdjwarchitects.co.uk

PROJECT
 Devon House
 Horsham Road
 South Holmwood
 RH5 4NG
Luminar
 DEVELOPMENTS

Proposed Stair Details
 Unit 2 (3 handed), Units
 1 (similar, 4 handed)

DATE	14.04.16	SCALE	1:20 @ A1
DRAWN	RKC	DRG. NO.	4834-400
CHECKED		REV.	C1