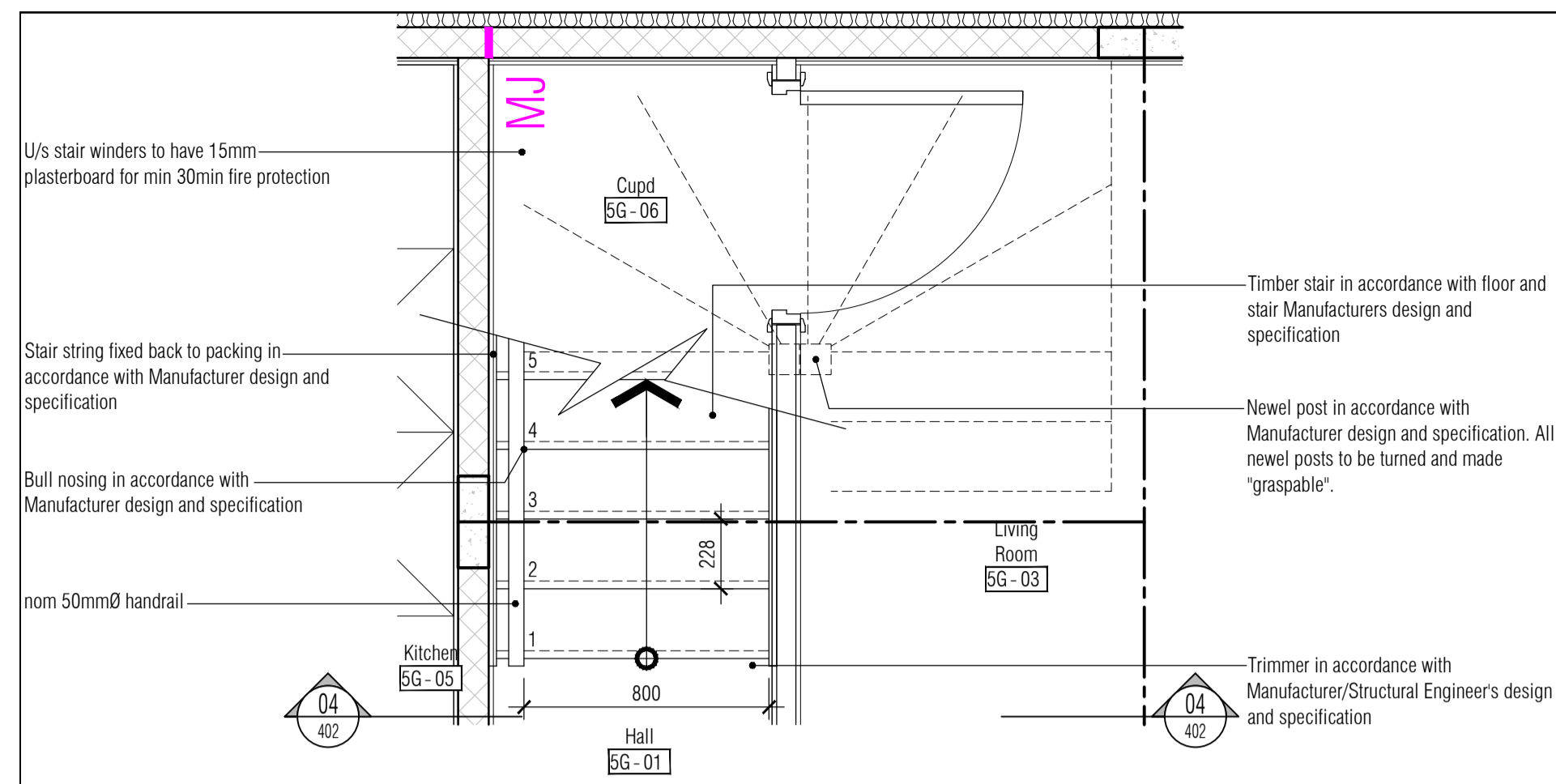
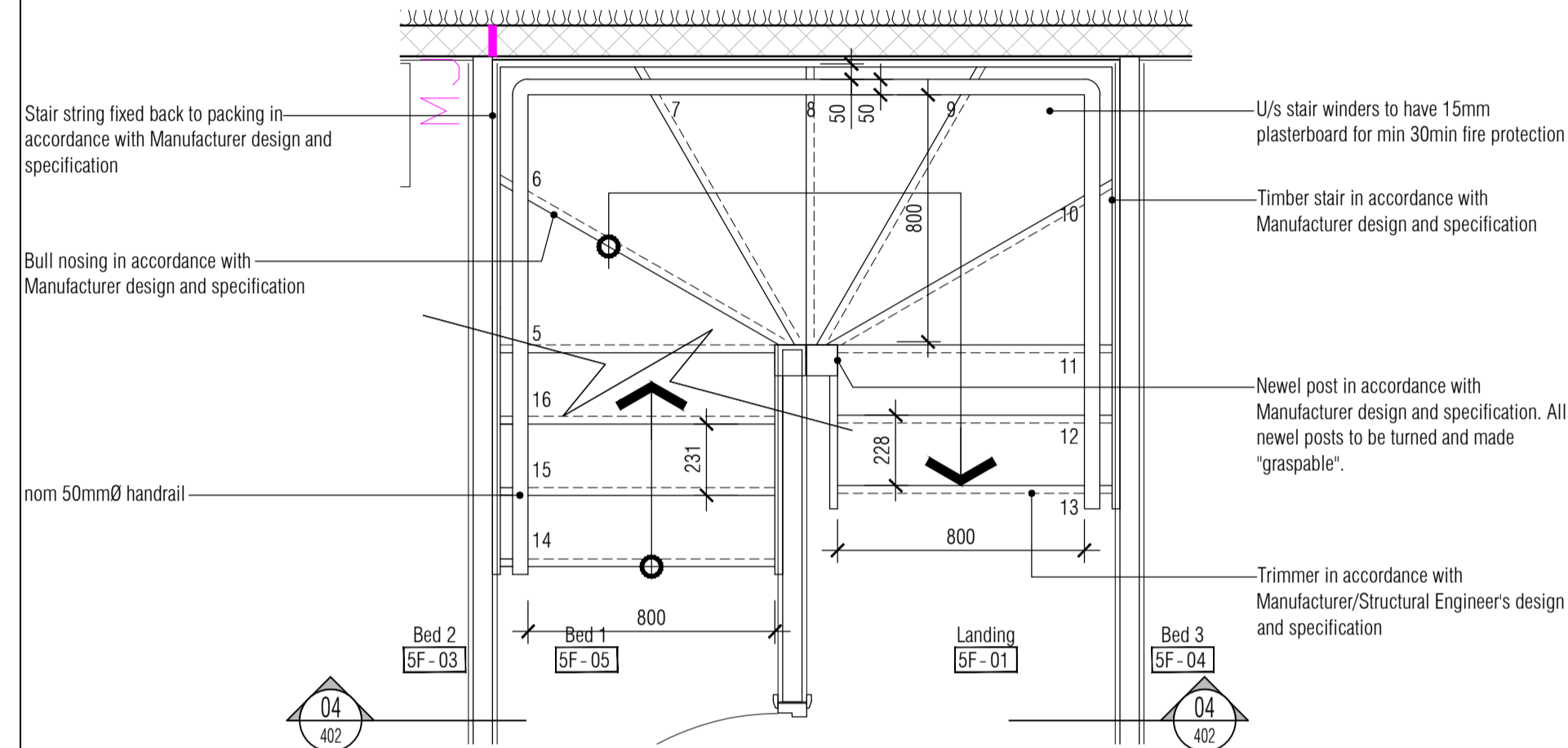


1. CONTRACTOR IS RESPONSIBLE FOR ALL SETTING OUT AND MUST CHECK DIMENSIONS ON SITE BEFORE WORK IS PUT IN HAND
2. WRITTEN DIMENSIONS ONLY TO BE TAKEN THIS DRAWING MUST NOT BE SCALED
3. ARCHITECT TO BE IMMEDIATELY NOTIFIED OF SUSPECTED OMISSIONS OR DISCREPANCIES

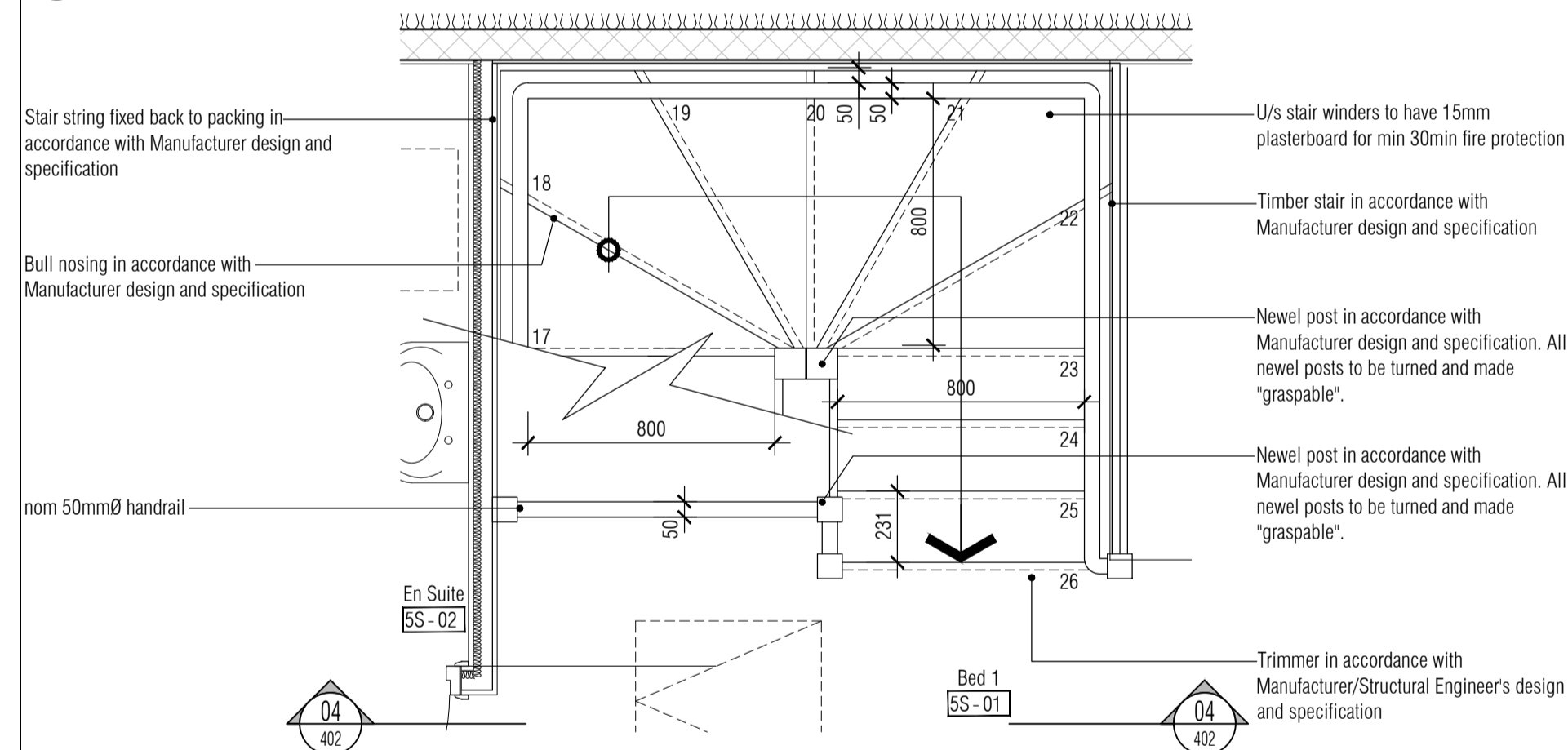
REVISIONS	DATE	BY
ISSUED FOR CONSTRUCTION	24.10.16	rkc



01 Units 5 & 7 (handed) Ground Floor Stair Plan
Scale: 1:20



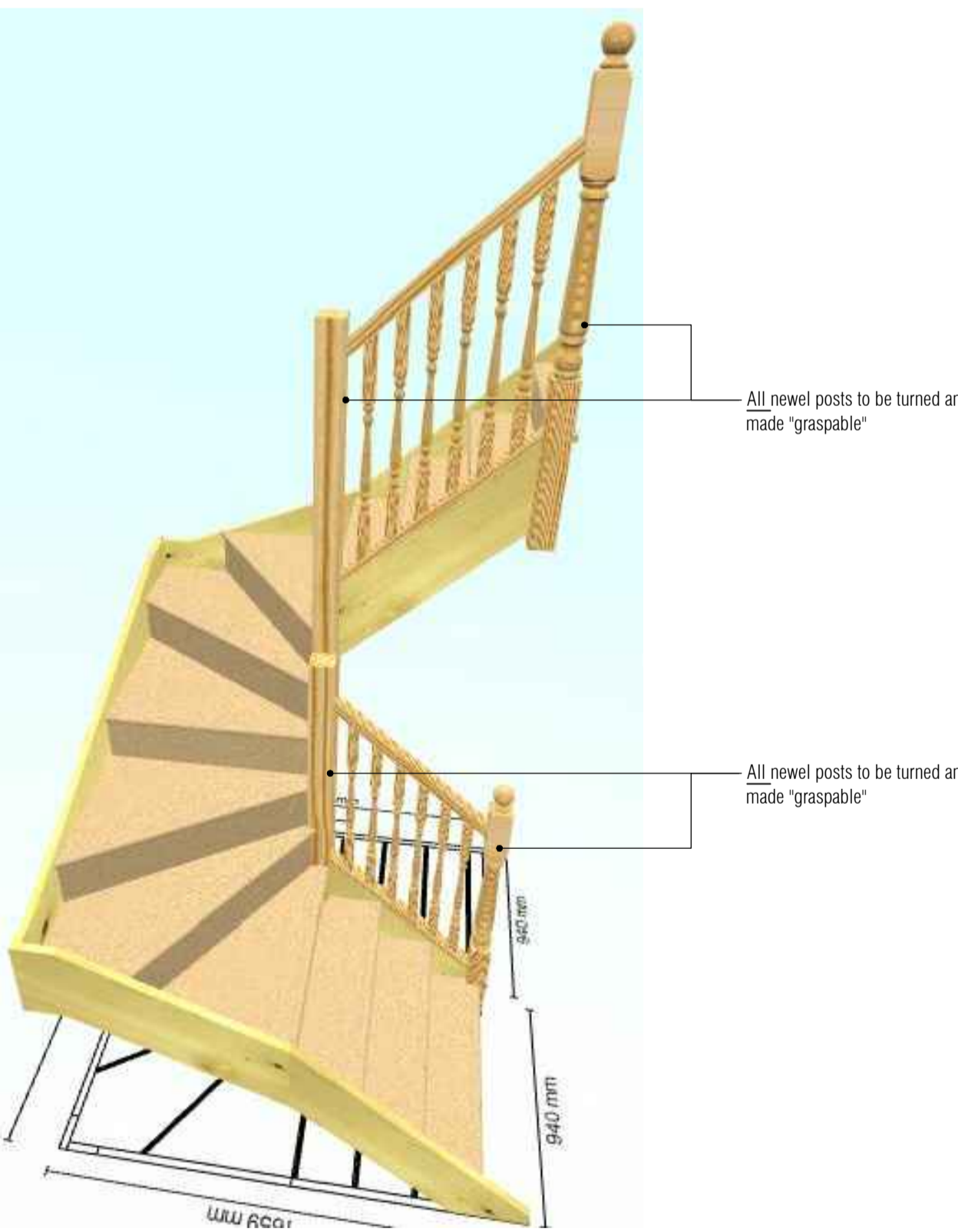
02 Units 5 & 7 (handed) First Floor Stair Plans
Scale: 1:20



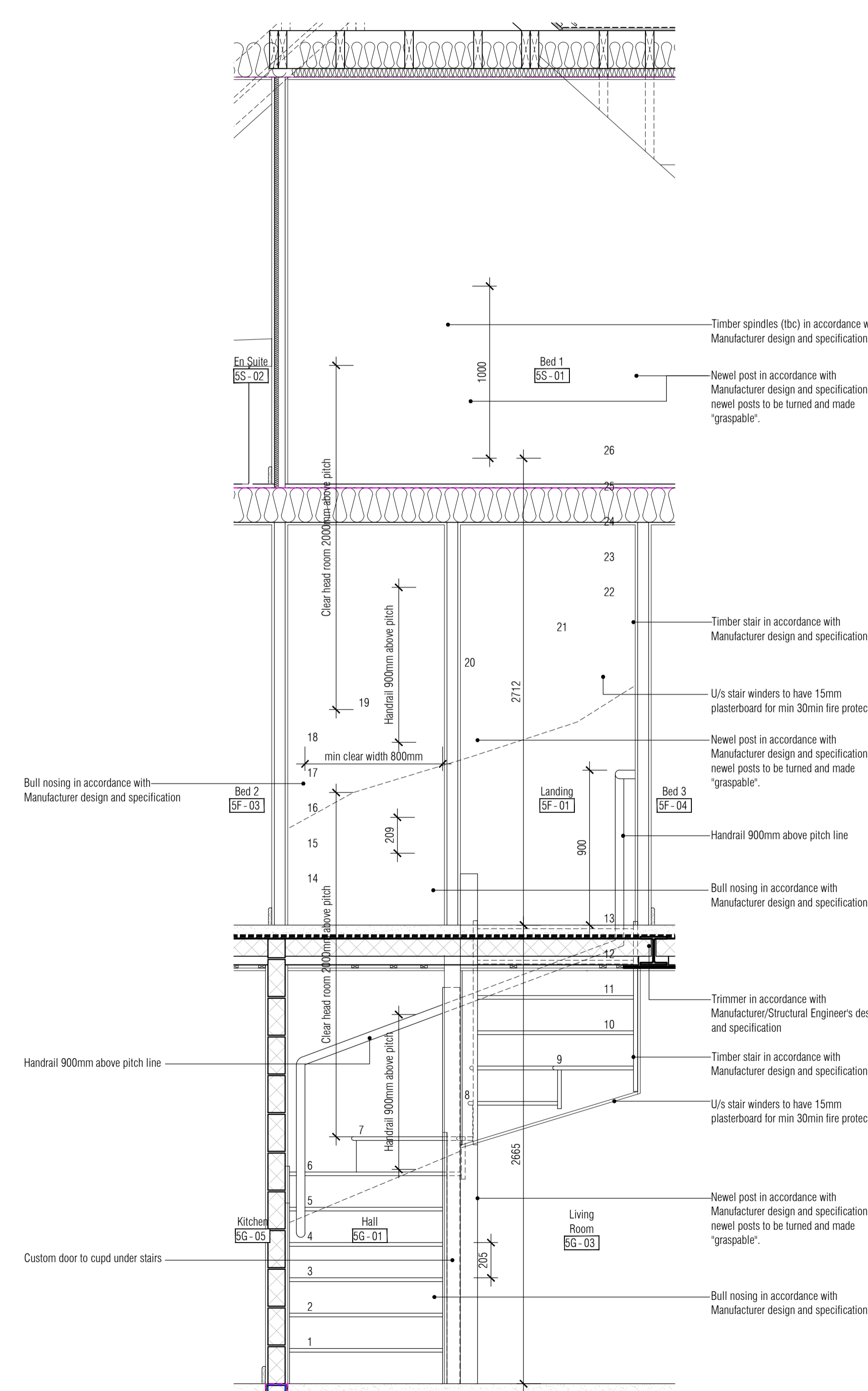
03 Units 5 & 7 (handed) Second Floor Stair Plan
Scale: 1:20



05 Units 5 & 7 (handed) Stair 01 Axo (illustration only)
Scale: nts



06 Units 5 & 7 (handed) Stair 02 Axo (illustration only)
Scale: nts



04 Units 5 & 7 (handed) Stair Section
Scale: 1:20

STAIRCASE CRITERIA Unit 6 Stair 01		
Ground to First	floor total rise	= 2665 mm
13 number of RISERS	@	= 205 mm
12 number of GONINGS	@	= 228 mm
PITCH of stair to be		= 42 °
Overall STRINGS to be		= 940 mm

Height to top of handrail to be min 900mm
Height to top of guarding to be max 1100mm
Ballusters to be max 100mm clear spaced apart.
Min 2000mm clear headroom above stair pitch line.

STAIRCASE CRITERIA Unit 6 Stair 02		
First to Second	floor total rise	= 2712 mm
13 number of RISERS	@	= 209 mm
12 number of GONINGS	@	= 231 mm
PITCH of stair to be		= 42 °
Overall STRINGS to be		= 940 mm

Height to top of handrail to be min 900mm
Height to top of guarding to be max 1100mm
Ballusters to be max 100mm clear spaced apart.
Min 2000mm clear headroom above stair pitch line.

ISSUED FOR CONSTRUCTION

RDJW
ARCHITECTS



RDJW ARCHITECTS LIMITED
QUOIN HOUSE . 9-11 EAST PARK
CRAWLEY . WEST SUSSEX . RH10 6AN
TEL : 01293 404300 . FAX : 01293 404299
E M A I L : info@rdjwarchitects.co.uk
W E B S I T E : www.rdjwarchitects.co.uk

PROJECT
Devon House
Horsham Road
South Holmwood
RH5 4NG
Luminar
DEVELOPMENTS

Proposed Stair Details
Unit 5 & 7

DATE	14.04.16	SCALE	1:20 @ A1
DRAWN	RKC	DRG. NO.	4834-402
CHECKED		REV.	C1