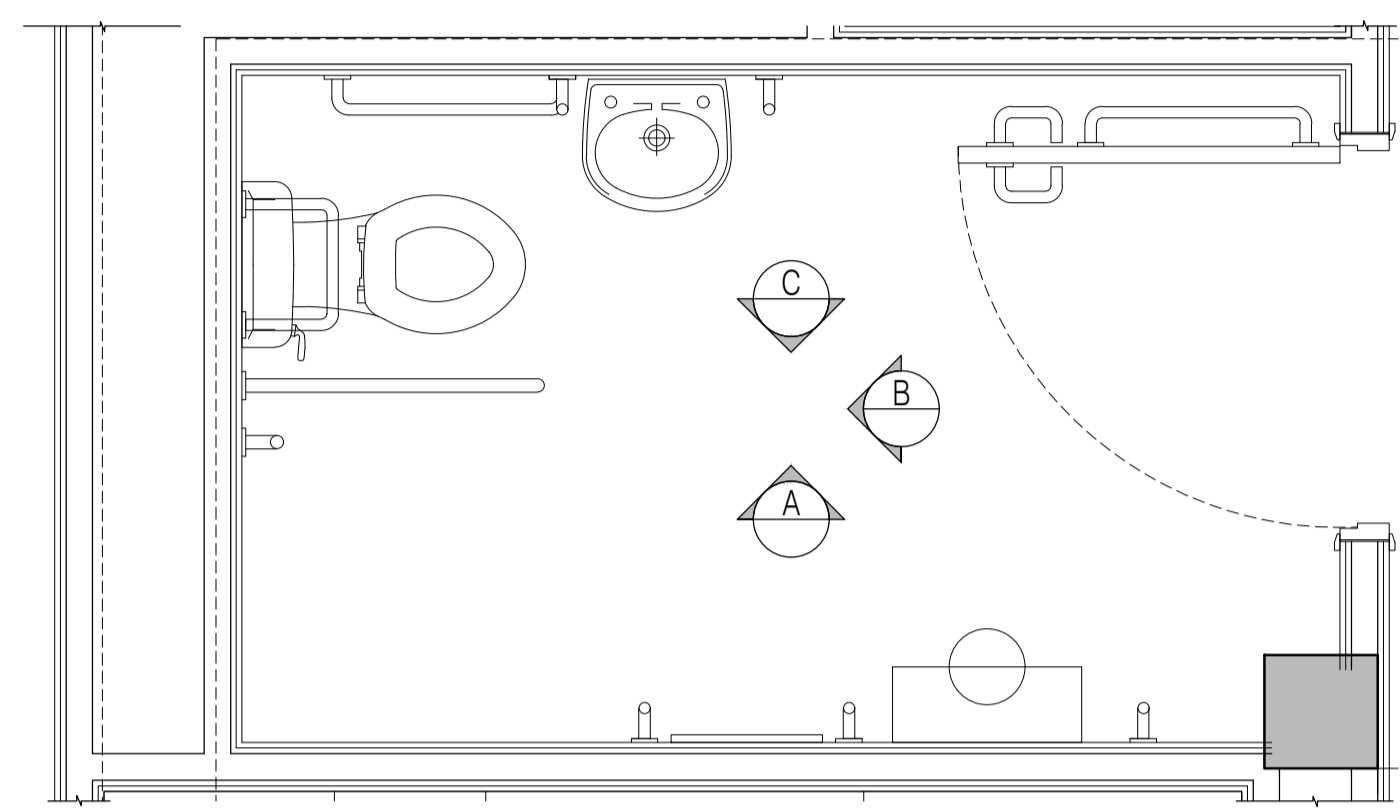
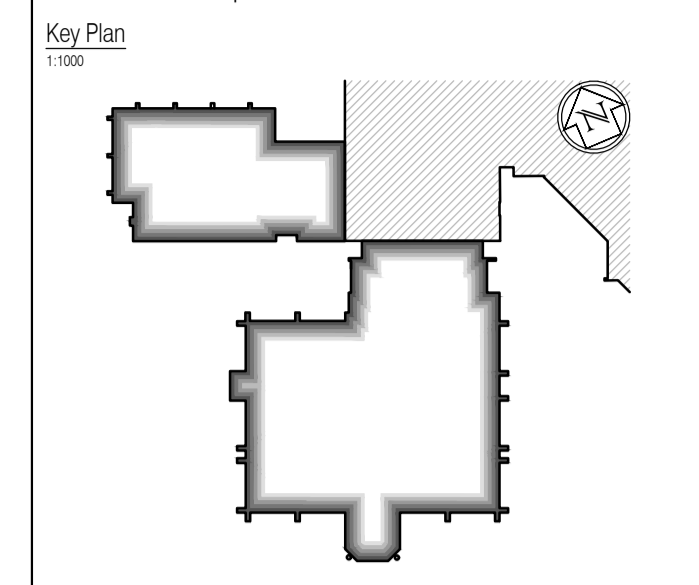


NOTES: Do not scale this drawing. All dimensions to be checked on site prior to commencement or manufacture.

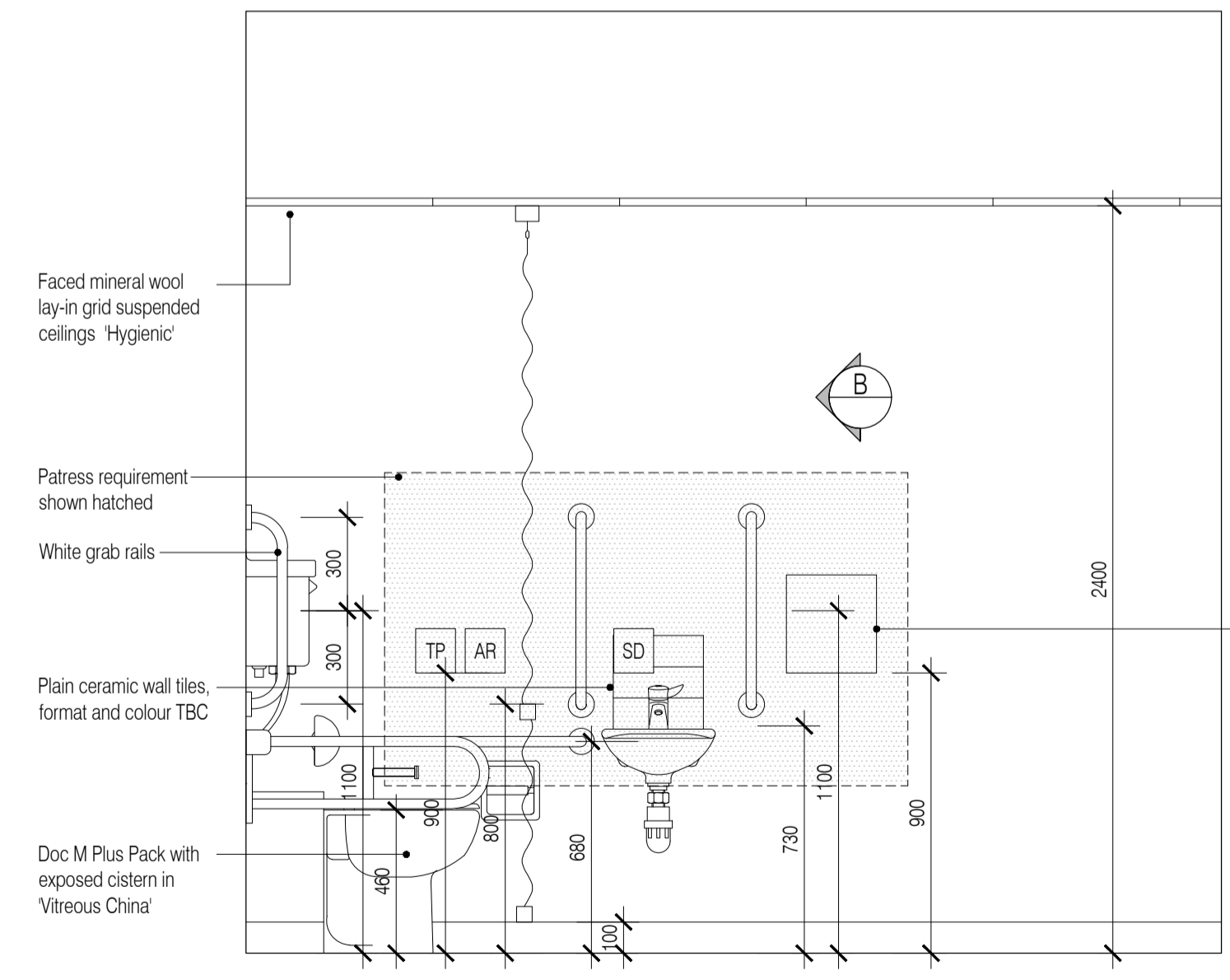


01 Typical Staff Disabled WC Layout
Scale: 1:20

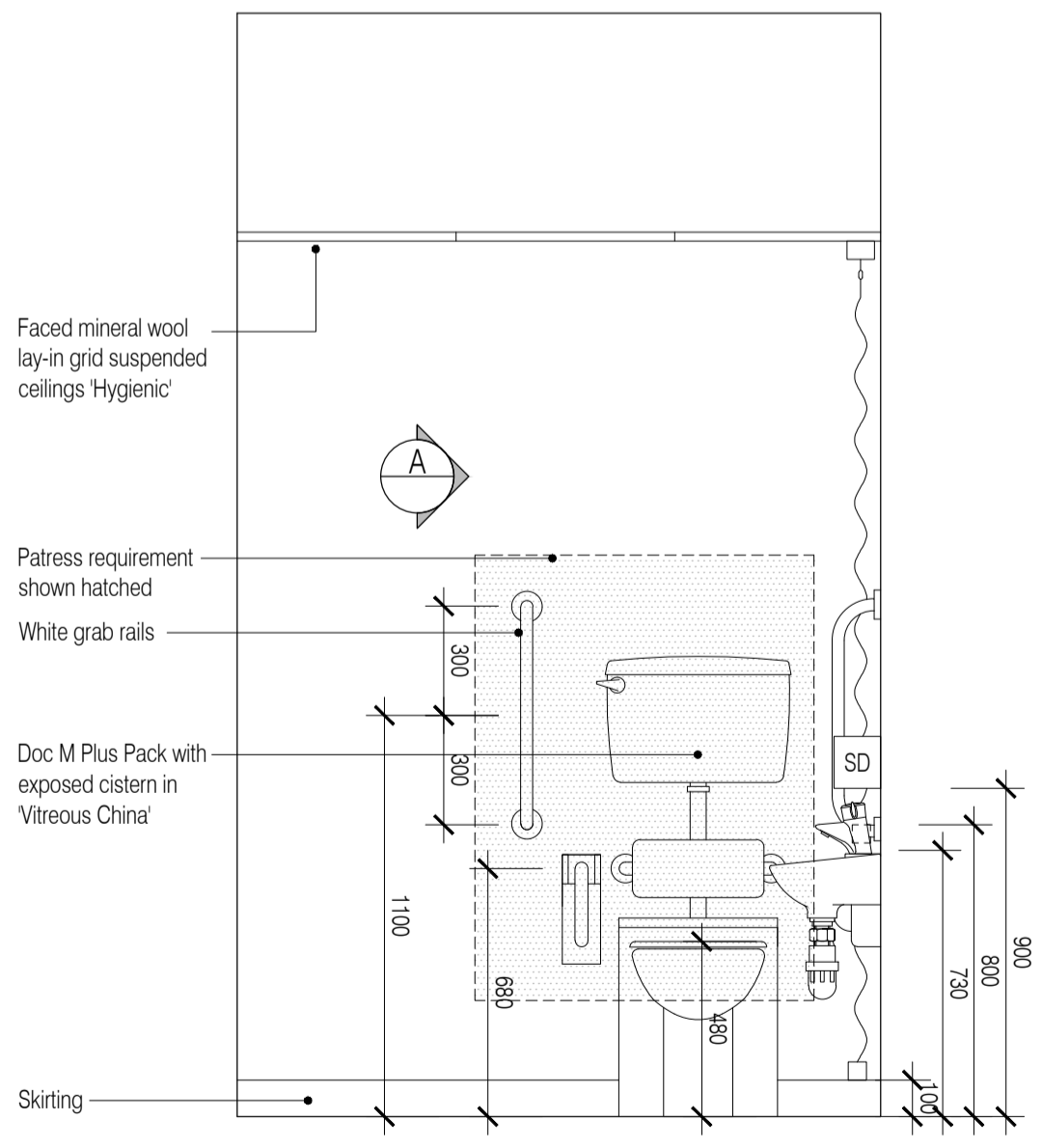
ISSUED FOR CONSTRUCTION

NB: - Solid gray hatch denotes existing building fabric.

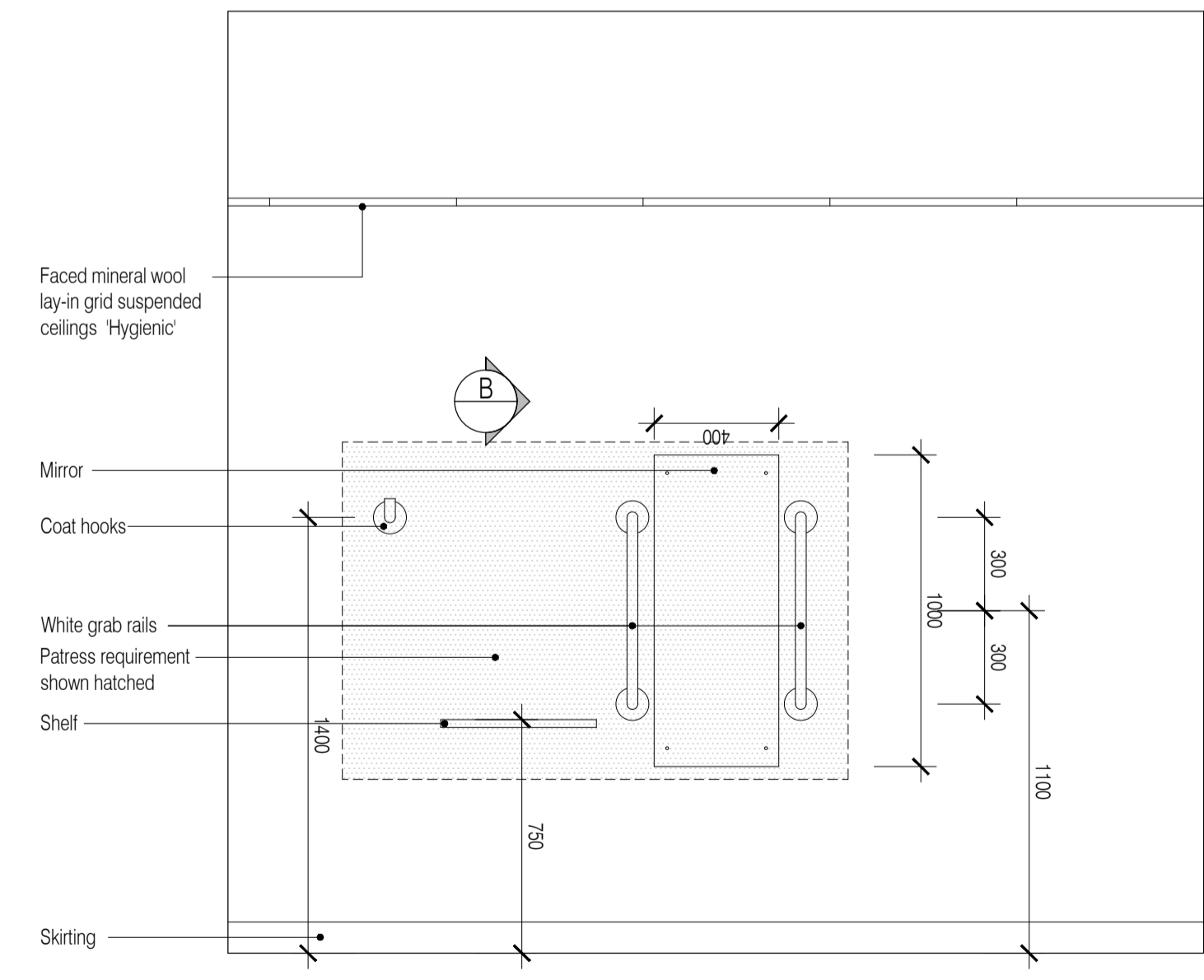
Rev	Date	By	Chk	Comment
A	16.09.11	RKC	JAS	Status change - Issued for CONSTRUCTION



A Typical Staff Disabled WC Elevation A
Scale: 1:20



B Typical Staff Disabled WC Elevation B
Scale: 1:20



C Typical Staff Disabled WC Elevation C
Scale: 1:20

Client fit-out item: Paper towel dispenser (or possible future electric hand dryer. Electrical Spur required in accordance with M&E Engineer's design and specification

BRINGING IDEAS TO LIFE

FRANKHAM

Frankham Consultancy Group Limited
21 Perrywood Road
Haywards Heath RH16 3TP
t 01444 444900 f 01444 455642
enquire@frankham.com
www.frankham.com

Client: **WILLMOTT DIXON CONSTRUCTION**

Project Title: Wealden District Council
Hailsham Head Quarters
Refurbishments and Alterations

Drawing Title: Proposed Typical
Staff Disabled WC Room Elevations

Drawn by: RKC	Scale: 1:20 @ A1	Date: 11.02.11
Designed by: FCG	Checked by: NN	Approved by: AC

File Ref.: X:\FRANKHAM\2011\16\WALDEN\DWG\ARCH\306_ELEVATIONS
20110421.DWG - 20111103.DWG 20.06.11 16:13:38

Drawing No. **521185-A-312** Rev. **A**