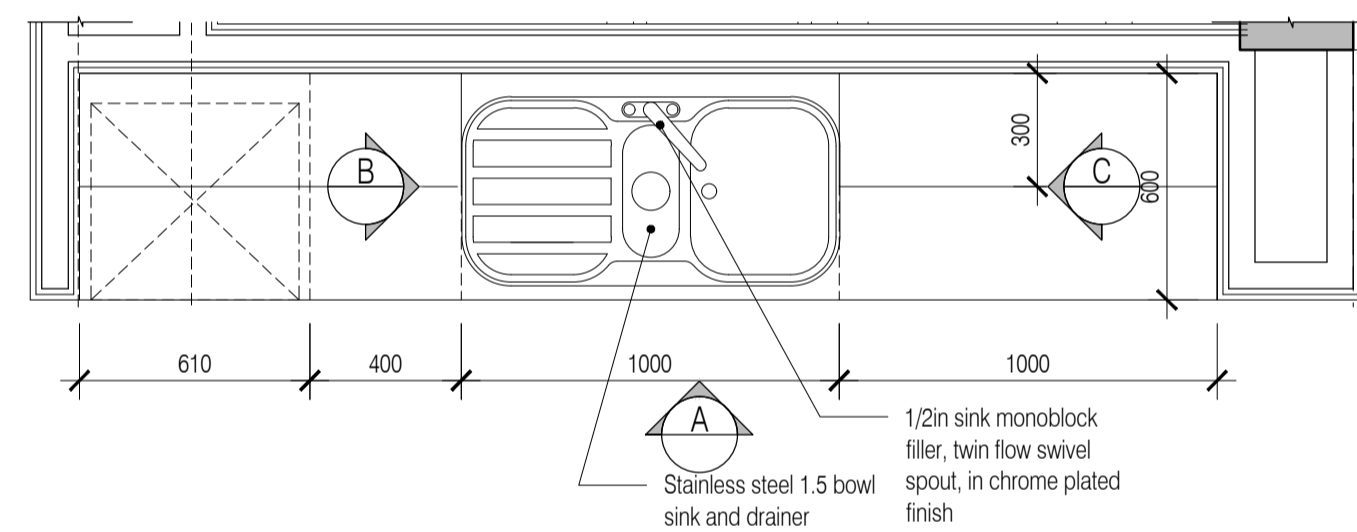
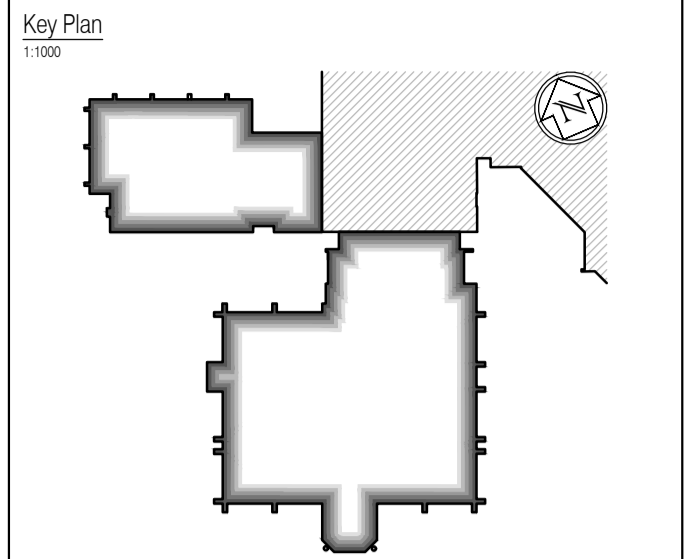
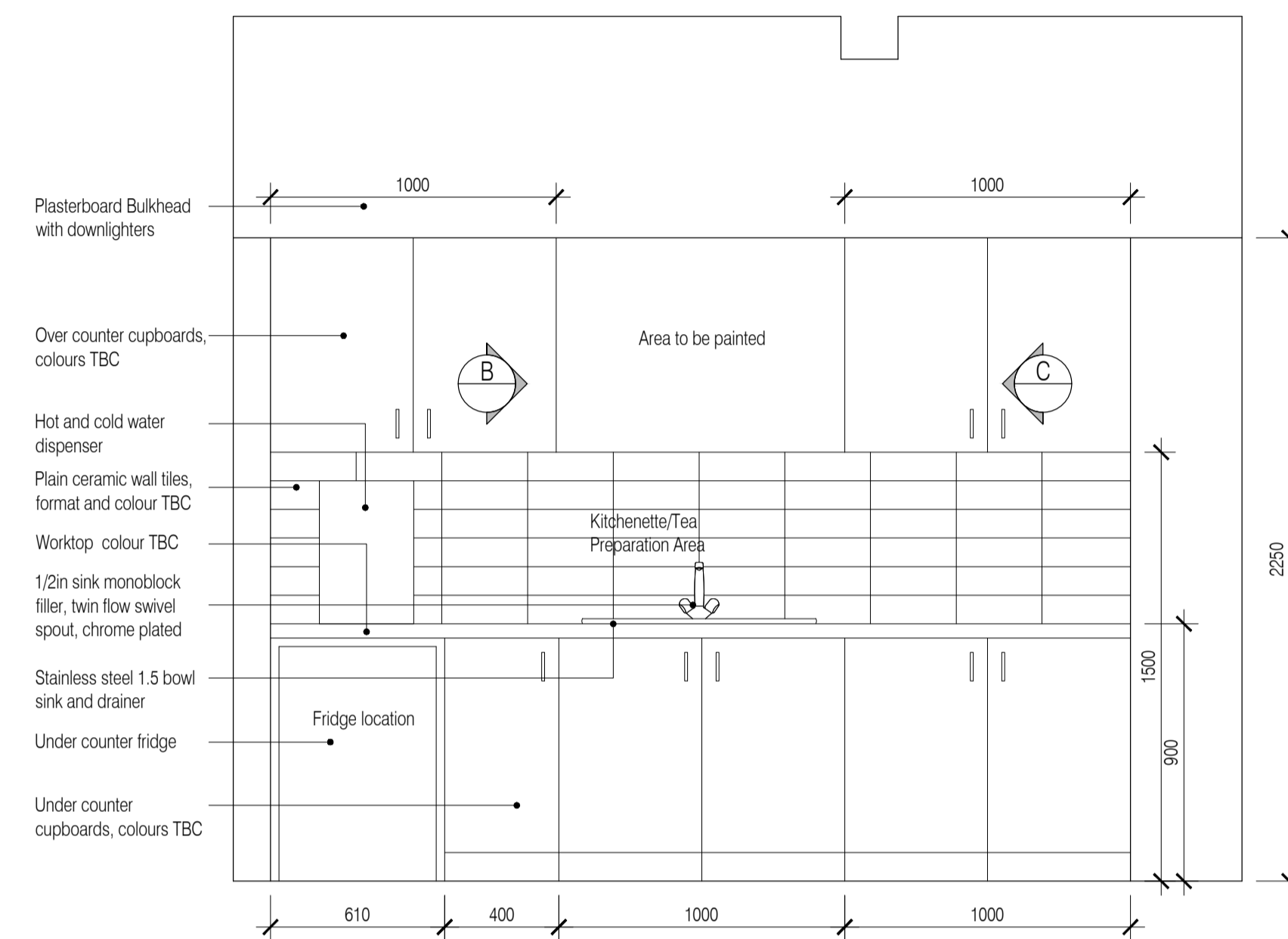


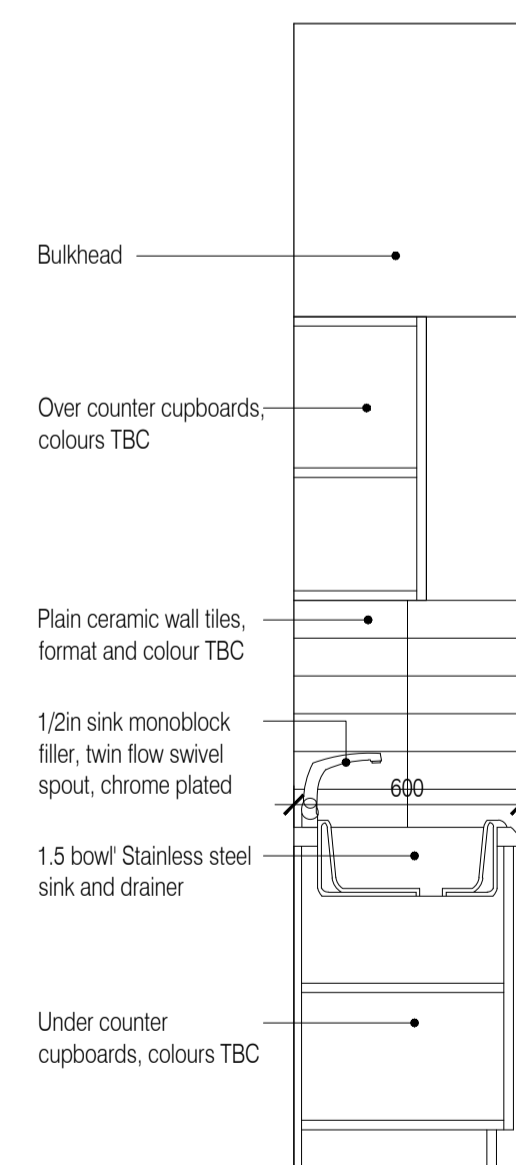
NOTES: Do not scale this drawing. All dimensions to be checked on site prior to commencement or manufacture.



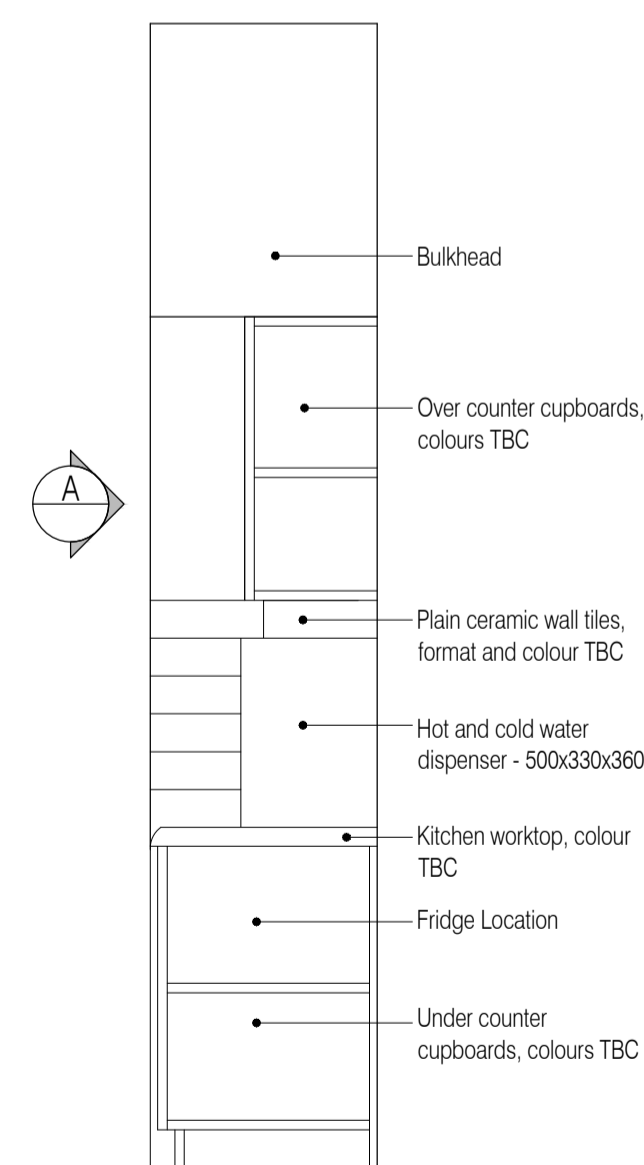
01 Typical Kitchenette Layout
Scale:1:20



A Typical Kitchenette Elevation A
Scale:1:20



B Typical Kitchenette Elevation B
Scale:1:20



C Typical Kitchenette Elevation C
Scale:1:20

ISSUED FOR CONSTRUCTION

NB: - Solid gray hatch denotes existing building fabric.

Rev	Date	By	Chk	Comment
A	16.09.11	RKC	JAS	Status change - Issued for CONSTRUCTION

BRINGING IDEAS TO LIFE



FRANKHAM

Frankham Consultancy Group Limited
21 Perryman Road
Haywards Heath RH16 3TP
t 01444 444900 f 01444 455642
enquire@frankham.com
www.frankham.com

Client
WILLMOTT DIXON CONSTRUCTION

Project Title
Wealden District Council
Hailsham Head Quarters
Refurbishments and Alterations

Drawing Title
Proposed Typical Elevations
Kitchenette

Drawn by: RKC	Scale: 1:20 @ A1	Date: 11.02.11
Designed by: FCG	Checked by: NN	Approved by: AC

File Ref.: X:\FRANKHAM\2009\16\WEALDEN\2009\306 ELEVATIONS
2010-03-25 - 2011-02-04 20.06.11:16:13:45

Drawing No. 521185-A-313	Rev. A
-----------------------------	-----------