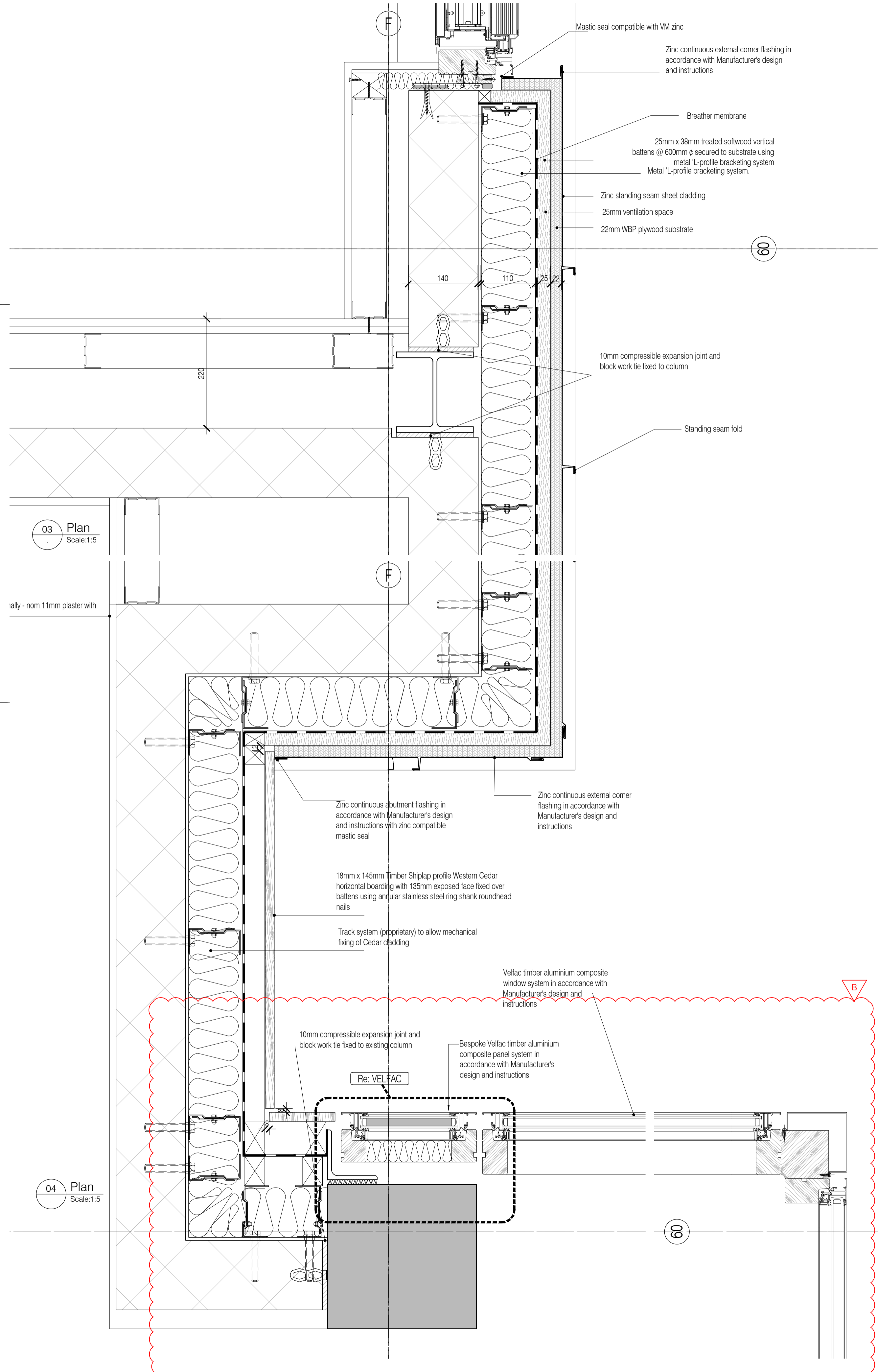
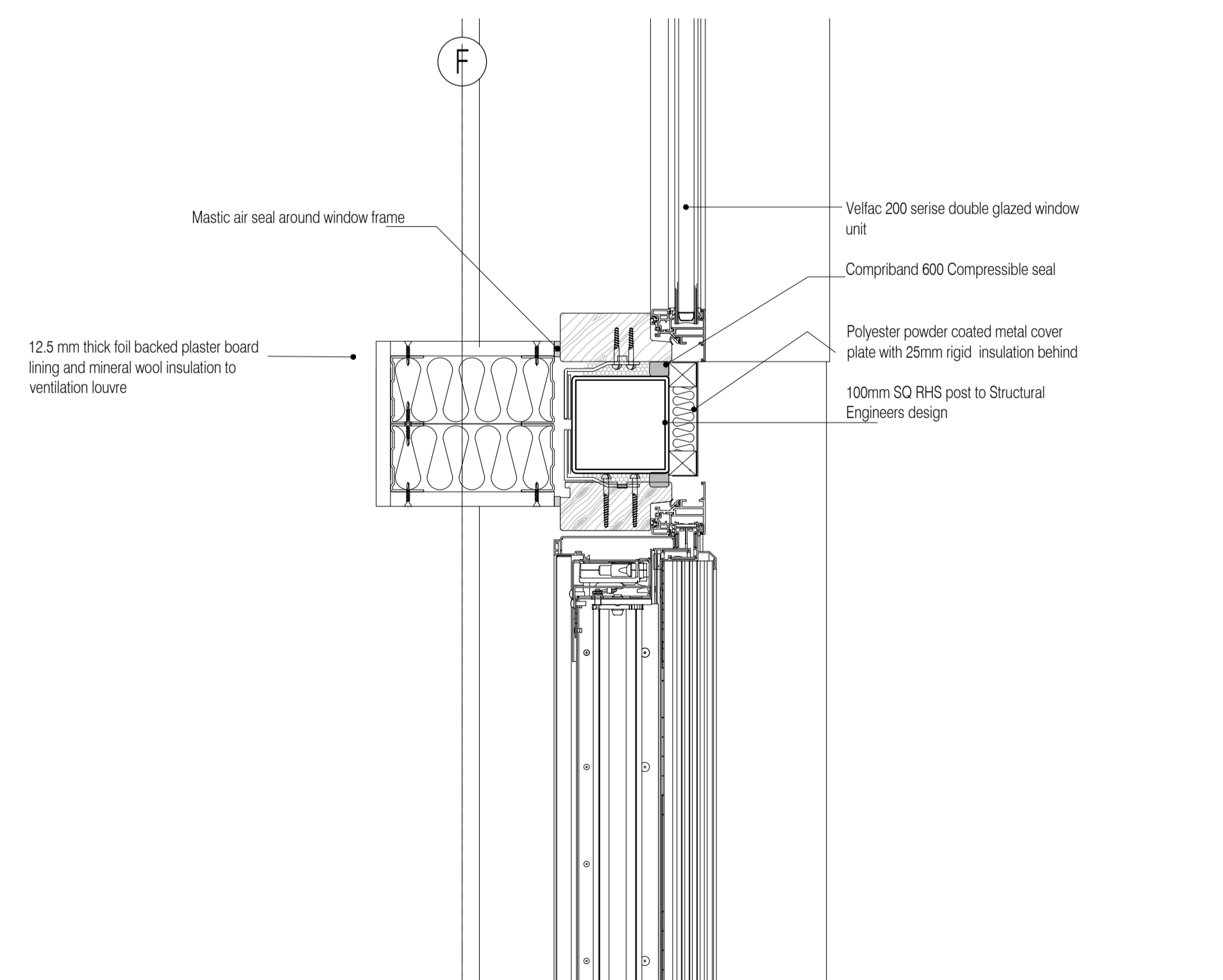


01 Plan  
Scale:1:5



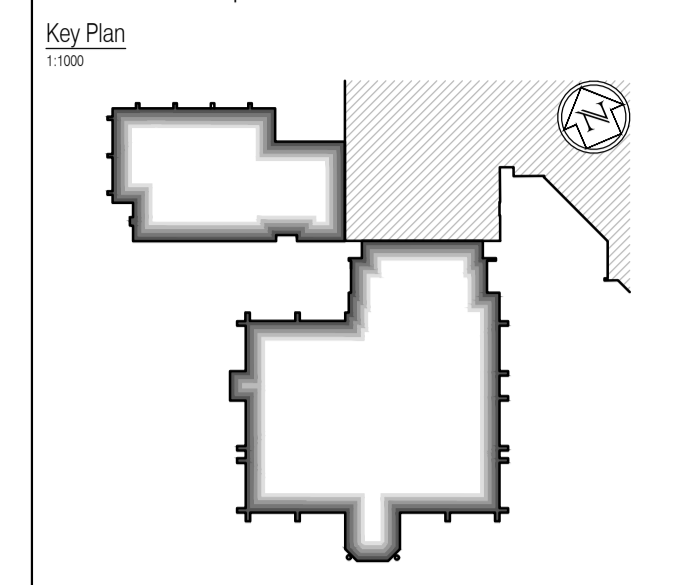
03 Plan  
Scale:1:5



02 Plan  
Scale:1:5

04 Plan  
Scale:1:5

NOTES: Do not scale this drawing. All dimensions to be checked on site prior to commencement or manufacture.



All window details to be in accordance with and finalised by Velfac prior to manufacture and all drawings to be checked on site prior to installation. Architect to be informed on discovery of any discrepancy and work to cease on particular area until resolved with Manufacturer

ISSUED FOR CONSTRUCTION

NB: - Solid gray hatch denotes existing building fabric.

Rev	Date	By	Chk	Comment
B	13.10.11	RKC	JAS	Detail revd
A	16.09.11	RKC	JAS	Status change - Issued for CONSTRUCTION

BRINGING IDEAS TO LIFE

**FRANKHAM**

Frankham Consultancy Group Limited  
21 Perrymount Road  
Haywards Heath RH16 3TP  
t 01444 444900 f 01444 455642  
enquire@frankham.com  
www.frankham.com

Client  
**WILLMOTT DIXON CONSTRUCTION**

Project Title  
Wealden District Council  
Hailsham Head Quarters  
Refurbishments and Alterations

Drawing Title  
Plan details  
Grid line F second floor level

Drawn by: RKC	Scale: 1:5 @A1	Date: 01.06.11
Designed by: FCG	Checked by: JAS	Approved by: AC
File Ref.: X:\FRANKHAM\2011\16\WEALDEN\04\ARCH\45_460_DETAL_SCHMATIC_02\160-A-430.DWG - 20111020	20.06.11:16:23:54	
Drawing No. <b>521185-A-430</b>	Rev. <b>B</b>	

NB: All information based on supplied third party survey information. All discrepancies to be reported to FCG immediately upon discovery.