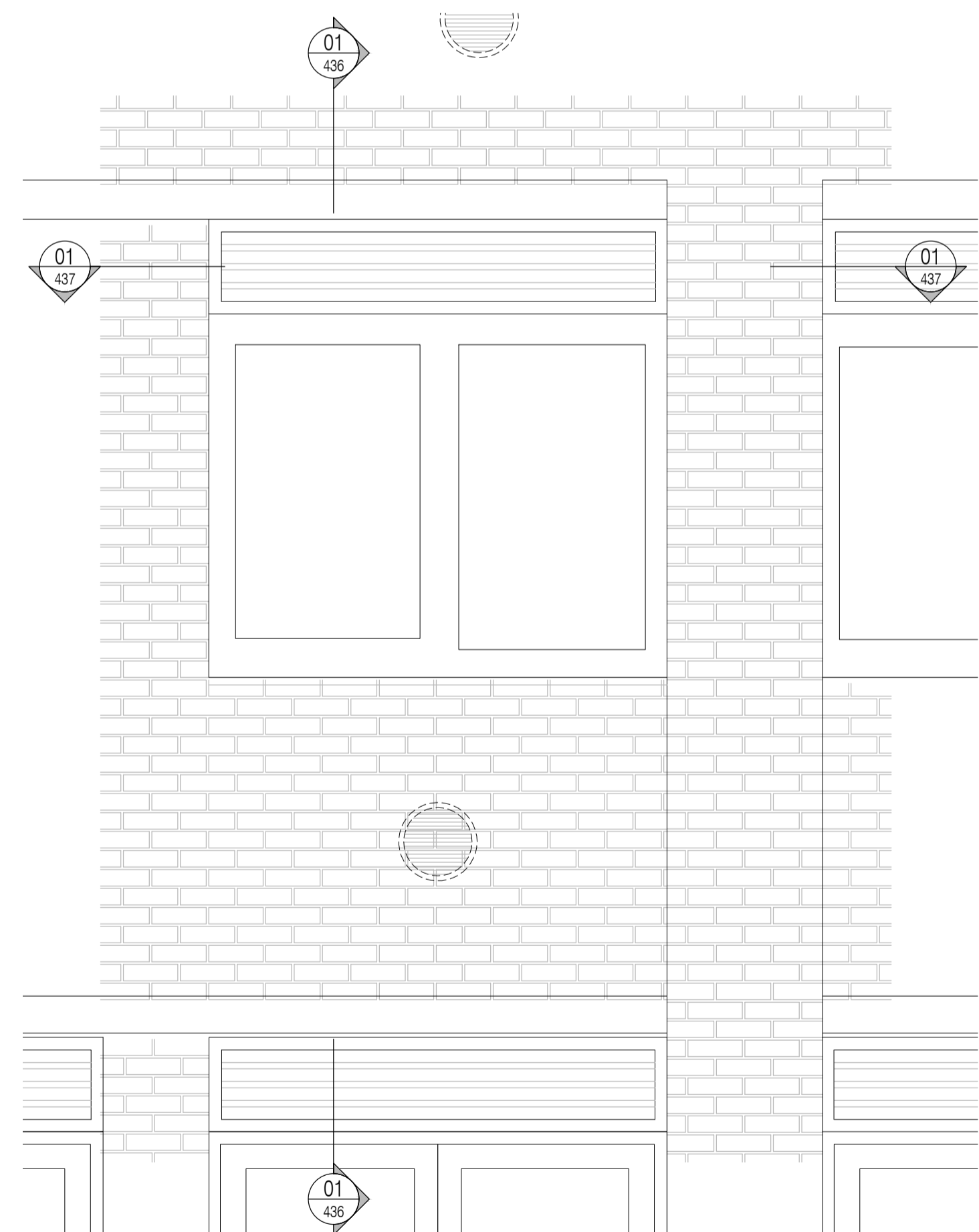
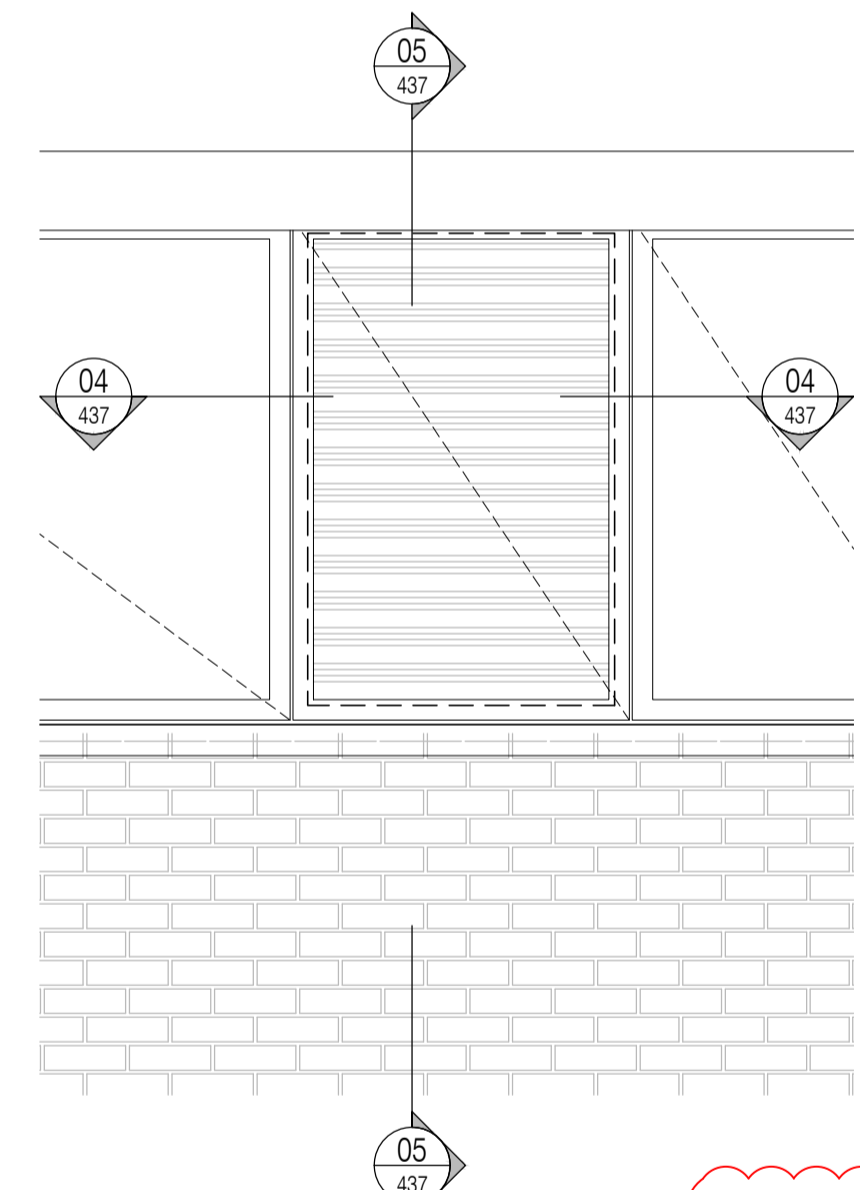


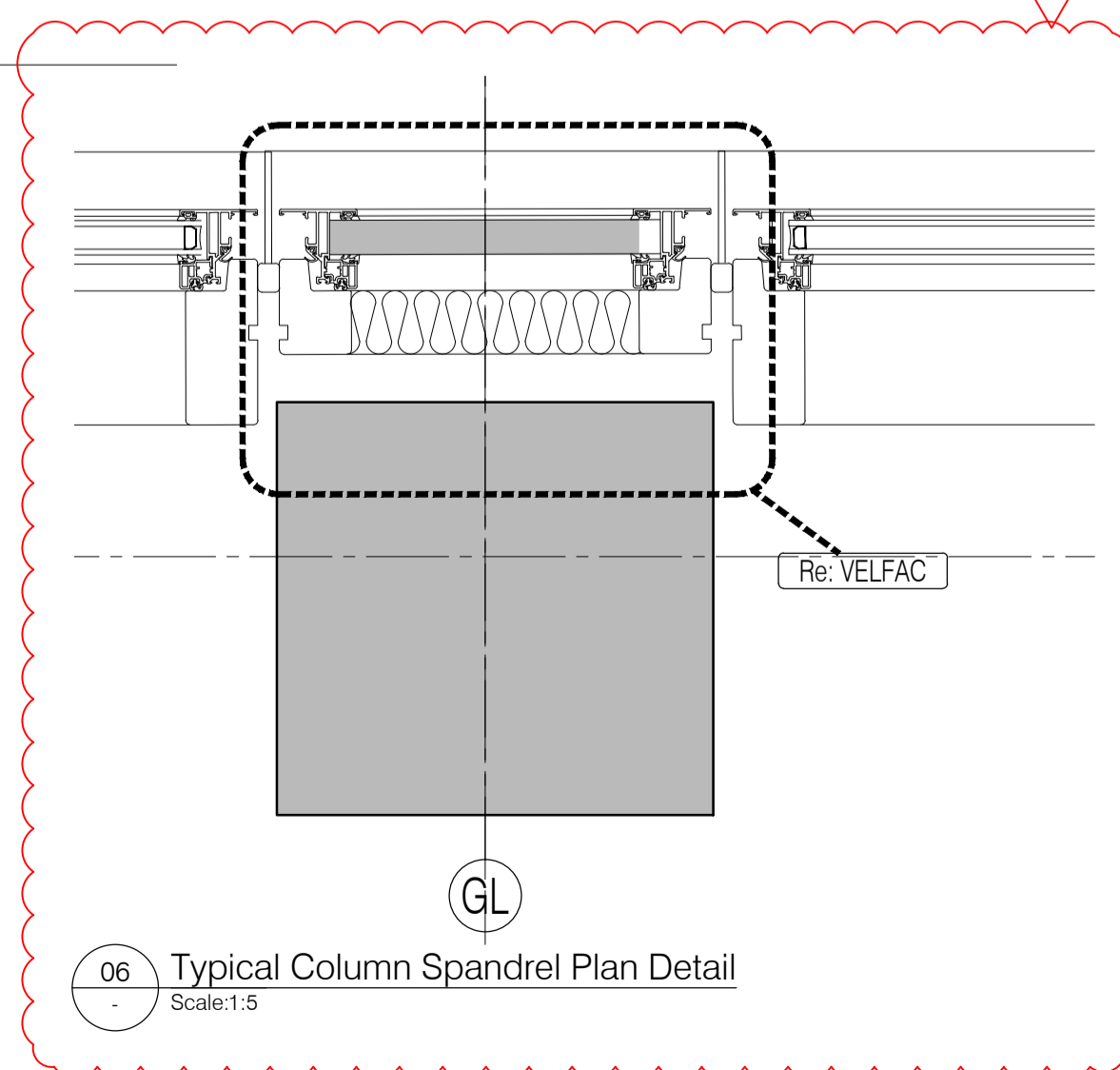
01 Typical Window / Louvre Plan - Punched Opening
Scale: 1:5



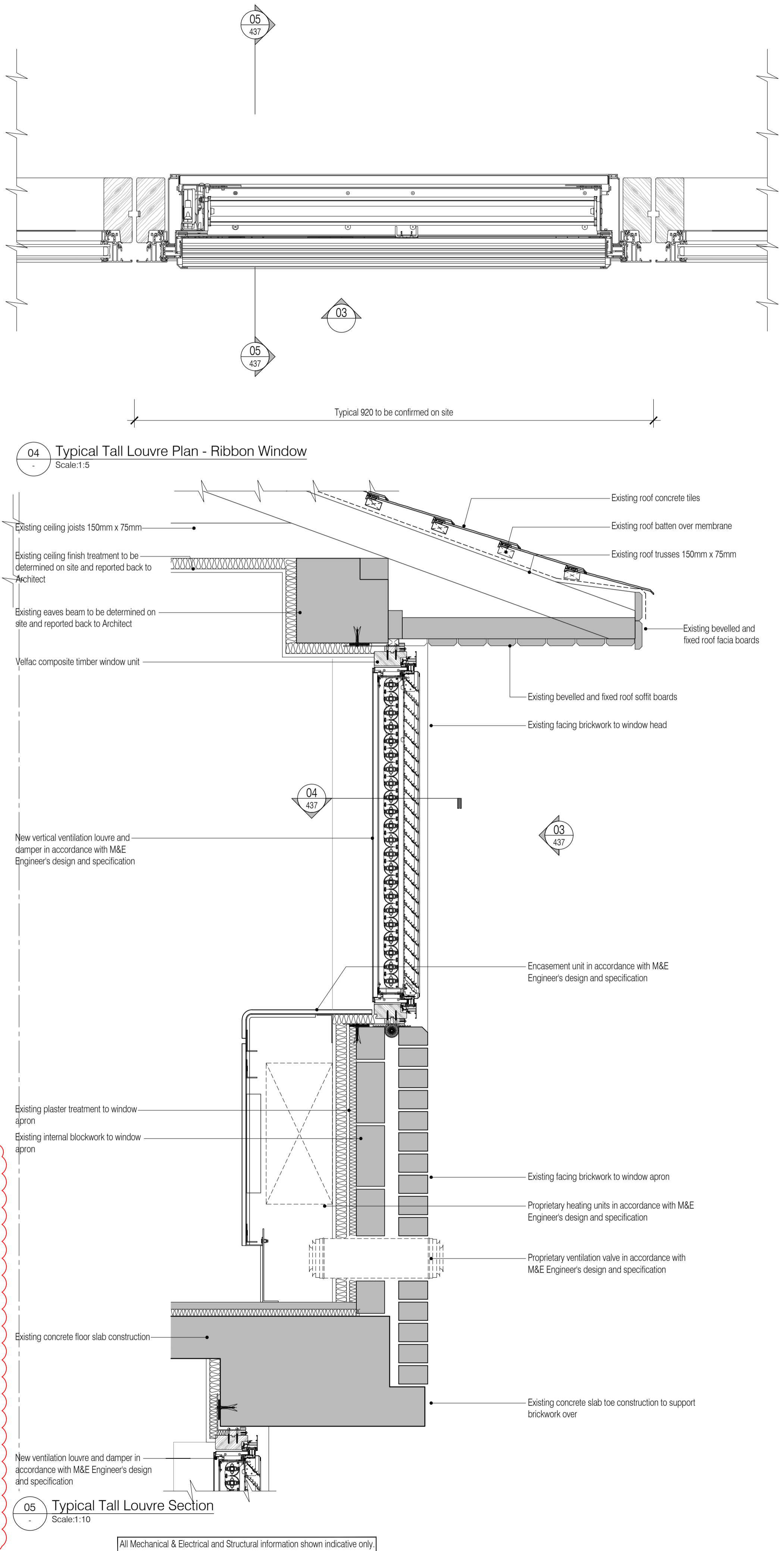
02 Typical Window / Louvre Elevation
Scale: 1:20



03 Typical Tall Louvre Elevation
Scale: 1:20



06 Typical Column Spandrel Plan Detail
Scale: 1:5



04 Typical Tall Louvre Section - Ribbon Window
Scale: 1:5

05 Typical Tall Louvre Section
Scale: 1:10

NOTES: Do not scale this drawing. All dimensions to be checked on site prior to commencement or manufacture.

Key Plan
1:1000

All window details to be in accordance with and finalised by Velfac prior to manufacture and all drawings to be checked on site prior to installation. Architect to be informed on discovery of any discrepancy and work to cease on particular area until resolved with Manufacturer

ISSUED FOR CONSTRUCTION

NB: - Solid gray hatch denotes existing building fabric.

Rev	Date	By	Chk	Comment
B	13.10.11	RKC	JAS	Spandrel panel rev'd
A	16.09.11	RKC	JAS	Status change - Issued for CONSTRUCTION

BRINGING IDEAS TO LIFE

FRANKHAM

Frankham Consultancy Group Limited
21 Perrymount Road
Haywards Heath RH16 3TP
t 01444 444900 f 01444 455642
enquire@frankham.com
www.frankham.com

Client

WILLMOTT DIXON CONSTRUCTION

Project Title

Wealden District Council
Hailsham Head Quarters
Refurbishments and Alterations

Drawing Title

Typical Velfac Window & Louvre Frame
Plan Details

Drawn by: RKC	Scale: 1:5.20@A1	Date: 11.08.11
Designed by: FCG	Checked by: JAS	Approved by: AC

File Ref.: X:\FRANKHAM\020216\WEALDEN\DOORWAY_400_DETAL_S04EM103 07180-A-437 DWG - 2008110304 20.06.11:16:24:53

Drawing No. 521185-A-437	Rev. B
------------------------------------	------------------

NB: All information based on supplied third party survey information. All discrepancies to be reported to FCG immediately upon discovery.

All Mechanical & Electrical and Structural information shown indicative only. Please refer to Mechanical & Electrical and Structural documentation.