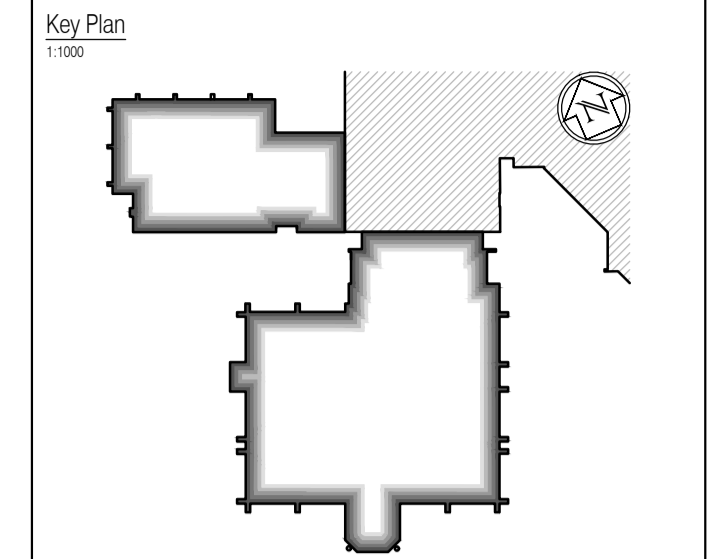


NOTES: Do not scale this drawing. All dimensions to be checked on site prior to commencement or manufacture.



All window details to be in accordance with and finalised by Velfac prior to manufacture and all drawings to be checked on site prior to installation. Architect to be informed on discovery of any discrepancy and work to cease on particular area until resolved with Manufacturer

ISSUED FOR CONSTRUCTION

NB: - Solid gray hatch denotes existing building fabric.

Rev	Date	By	Chk	Comment
A	16.09.11	FKC	JAS	Status change - Issued for CONSTRUCTION

BRINGING IDEAS TO LIFE



FRANKHAM

Frankham Consultancy Group Limited
21 Parnymount Road
Haywards Heath RH16 3TP
t 01444 444900 f 01444 455642
enquire@frankham.com
www.frankham.com

Client
WILLMOTT DIXON CONSTRUCTION

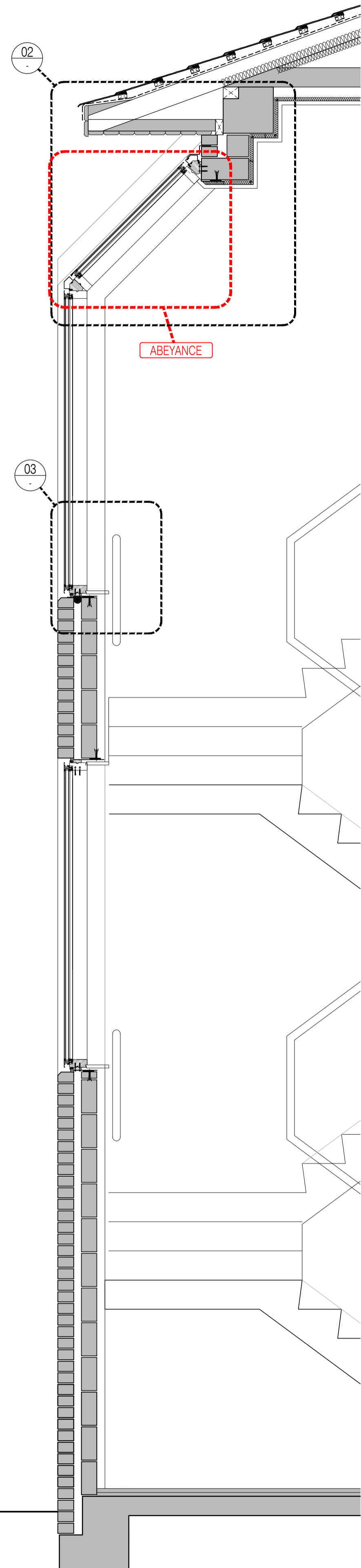
Project Title
Wealden District Council
Hailsham Head Quarters
Refurbishments and Alterations

Drawing Title
Typical Velfac Window &
Louvre Frame
Section Details

Drawn by: FKC	Scale: 1:5.20@A1	Date: 26.08.11
Designed by: FCG	Checked by: JAS	Approved by: AC

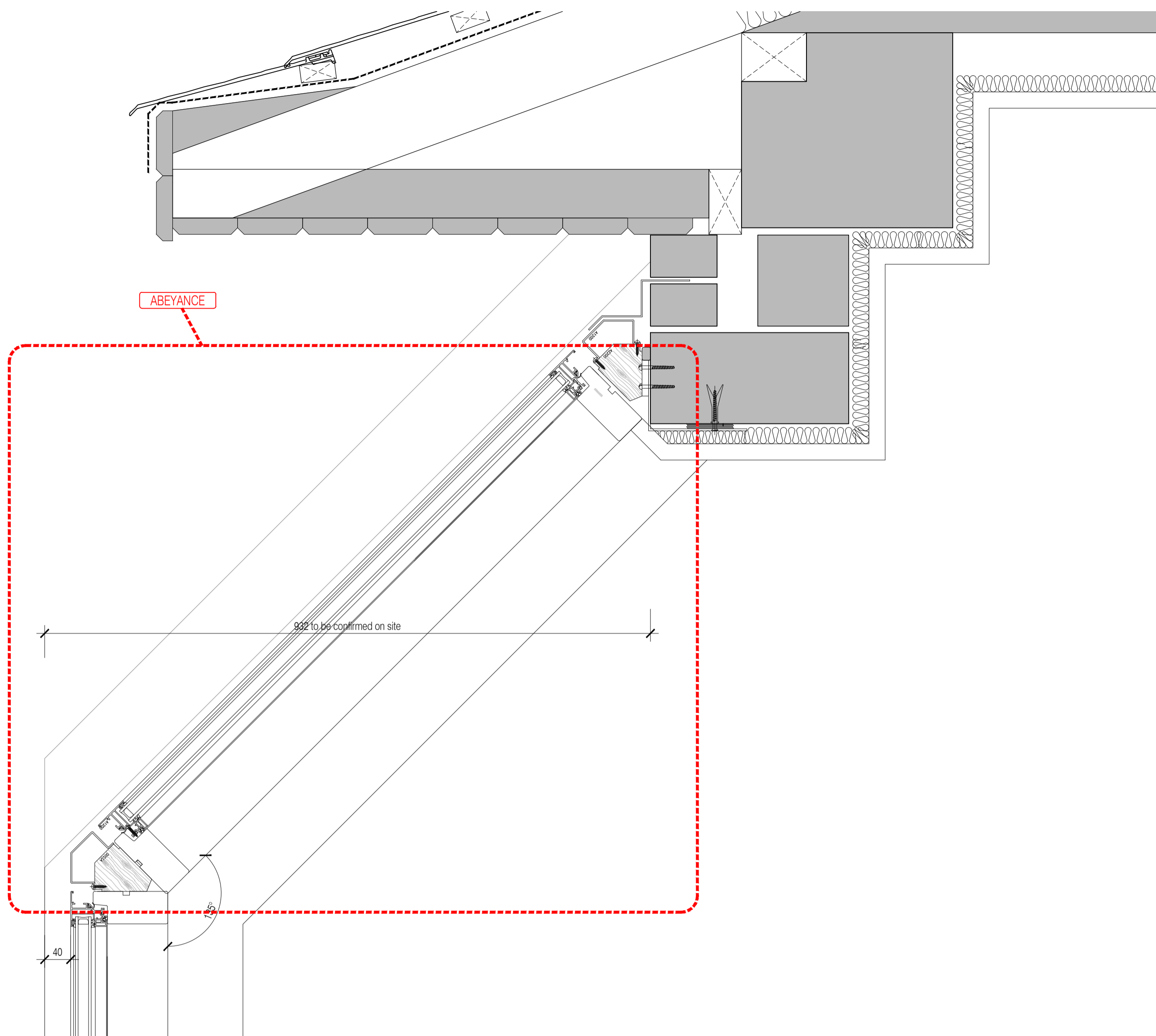
File Ref.: X:\FRANKHAM\2011\16\WEALDEN\CONTRACTS\46 DETAIL SCHEMATIC\20110811\20110811_20.06.11.16.25.15

Drawing No. 521185-A-439	Rev. A
------------------------------------	------------------

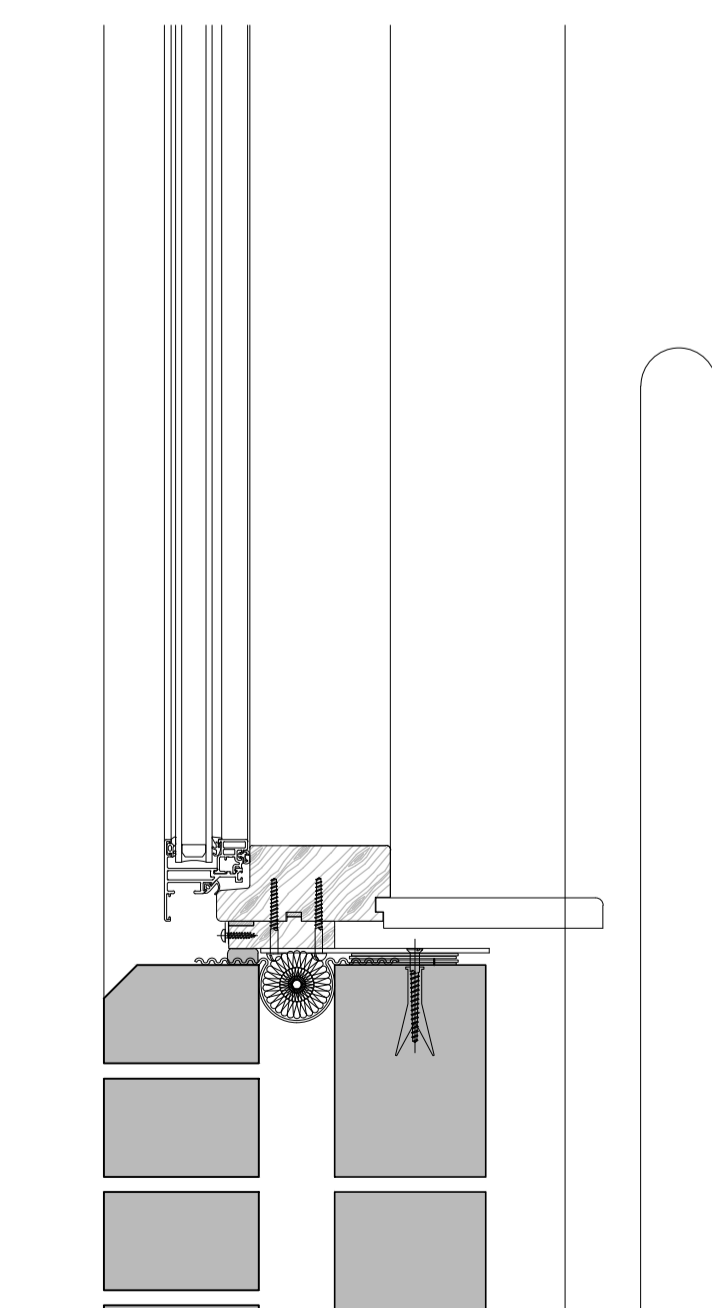


01 Proposed Typical Wall Section
Scale:1:20

NB: All information based on supplied third party survey information. All discrepancies to be reported to FCG immediately upon discovery.



02 Proposed Cant Window Detail
Scale:1:5



02 Proposed Cant Window Detail
Scale:1:5

All Mechanical & Electrical and Structural information shown indicative only. Please refer to Mechanical & Electrical and Structural documentation.