

General Construction Notes: (See NBS specification sections L20/L40 also)

All components of the door and frame elements / doorset assembly to be in strict accordance with the following current standards (including those later superseded by European Standards), as relevant : BS 476:Parts 20+22 (fire resistance of non-loadbearing elements of construction) and 31.1 (smoke penetration thro. doorset and shutter assemblies). BS 5588: as relevant (general fire precautions in the design and construction of buildings). BS 8214 (ACoP for fire door assemblies with non-metallic leaves). BS EN ISO 140-3 (measurement of sound insulation in buildings and of building elements).

In addition to the above standards, all construction is to achieve full compliance with the current Building Regulations Approved Documents, particularly the following:
Part B (Fire Safety), Part E (Resistance to the passage of sound), Part L1/L2 (conservation of fuel and power) Part M (Access to and use of buildings), and Part N (Glazing).

Plywood packing or similar approved to all non-fire rated doors (continuous hardwood packing to fire rated doors) to nominal 5mm zone to jambs and nominal 20mm at heads unless otherwise shown on details. All packing to be solid.

Any gaps between wall and door frame to be packed with mineral fibre / fire-rated styrofoam to maintain fire and smoke integrity. External doors to be sealed continuously at perimeter between structure and frame using suitable mastic / polysulphide sealant (gun applied). Voids between packing to be filled with styrofoam prior to sealing.

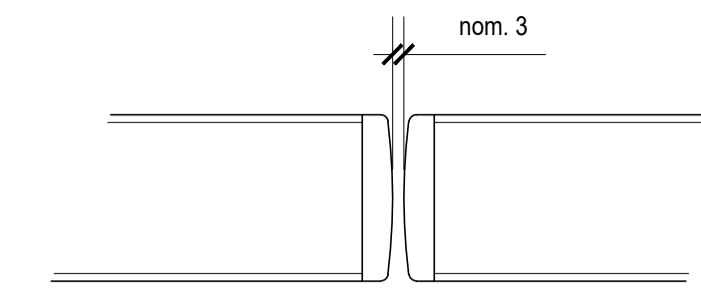
For all finishes (door leaf and frame) refer to door schedule for details (paint grade / high pressure laminate / HW veneer - species / etc).

Details Legend:

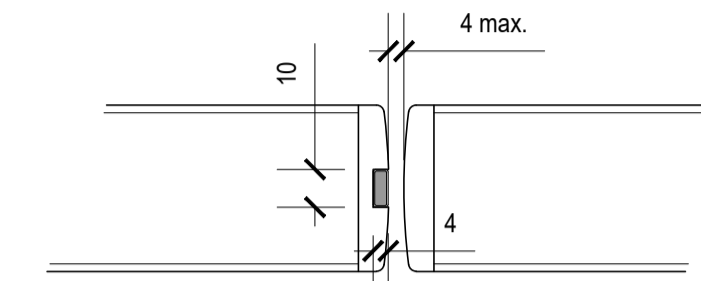
1. Architraves from painted softwood as specified, 44 x 15mm fin.with single pencil rounded edges to internal corners.
2. Planted door stops from painted softwood as specified, 32 x 12mm fin. with single pencil rounded edge to external exposed corner.
3. Door frames / linings from painted softwood as specified, 32mm thick fin. - where necessary stop to be rebated from 44mm thick lining as indicated (depth varies to suit structural opening condition - check on site). 2 piece split-frames required for structural depths of greater than 175mm.
4. External grade hardwood door frames (leaf size t.b.c. by supplier) paint finished, to suit outward opening door/s.
5. External grade hardwood door frames (leaf size t.b.c. by supplier) paint finished, to suit inward opening door/s.
6. Nom. 44mm thick internal door leaf / leaves with 8mm concealed HW lippings to jambs. FD30s doorset constructions required for fire-rated doors (actual leaf thickness t.b.c. by supplier - assumed 54mm to FR doors and 35db doors).
7. Nom. 44mm/54mm thick external grade hardwood door leaf / leaves, internal opening doors to include hardwood drip to threshold (actual size and profiles t.b.c. by supplier), all paint finished.
8. Heavy duty door threshold seal and threshold plate to flush thresholds at external conditions - for seal types refer to details.
9. External steel security door and frame, pre-finished as specification. Secured to structure using steel rawl bolts as manufacturers written instructions. Use steel packing shims as necessary, any voids between wall and frame to be packed with mineral fibre / styrofoam to maintain integrity as necessary.

NB: Fire / smoke seals to be recessed and glued into door linings / frames where ever possible (otherwise locate within door lippings), as shown on details. Construction within that frame to be as details.

No FR/s

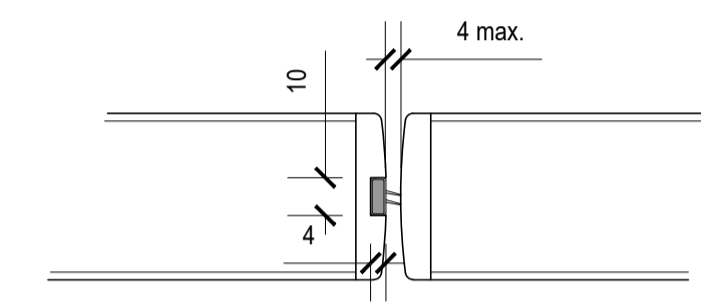


FD30



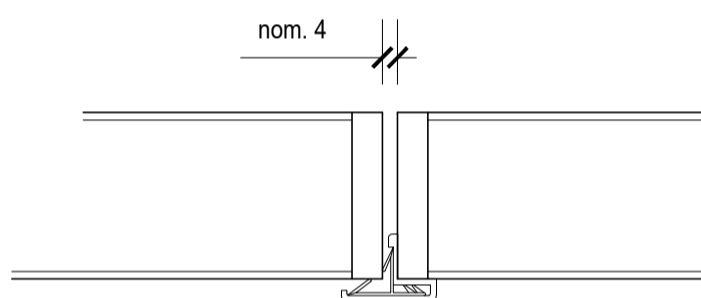
'Lorient' LP1004

FD30s

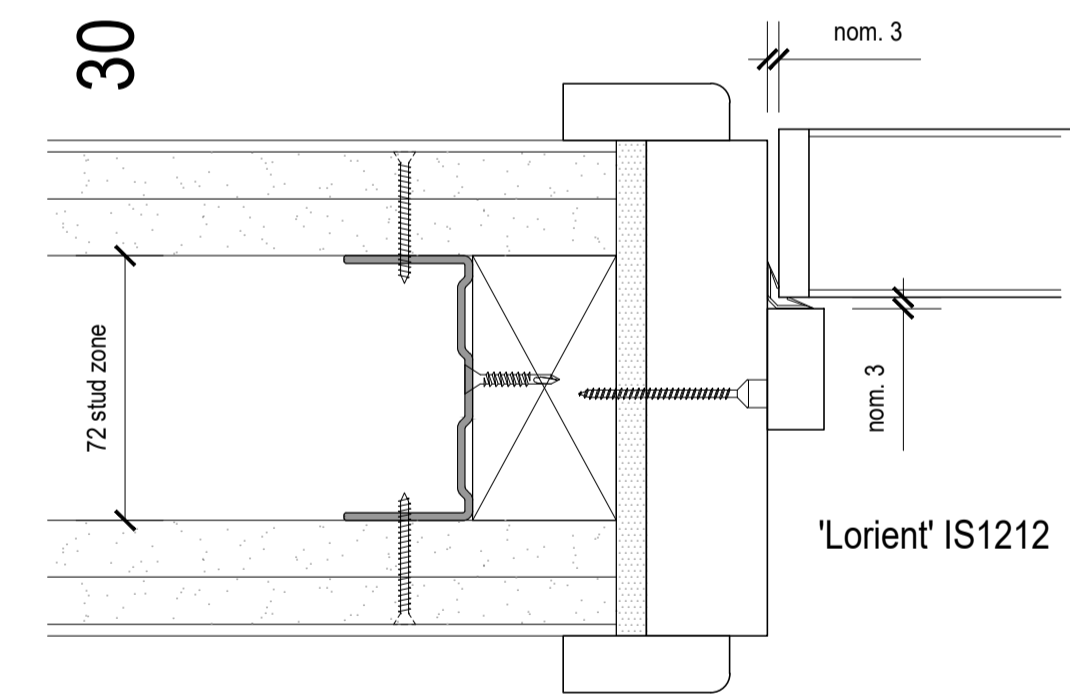


'Lorient' LP1004TS/SS/AS

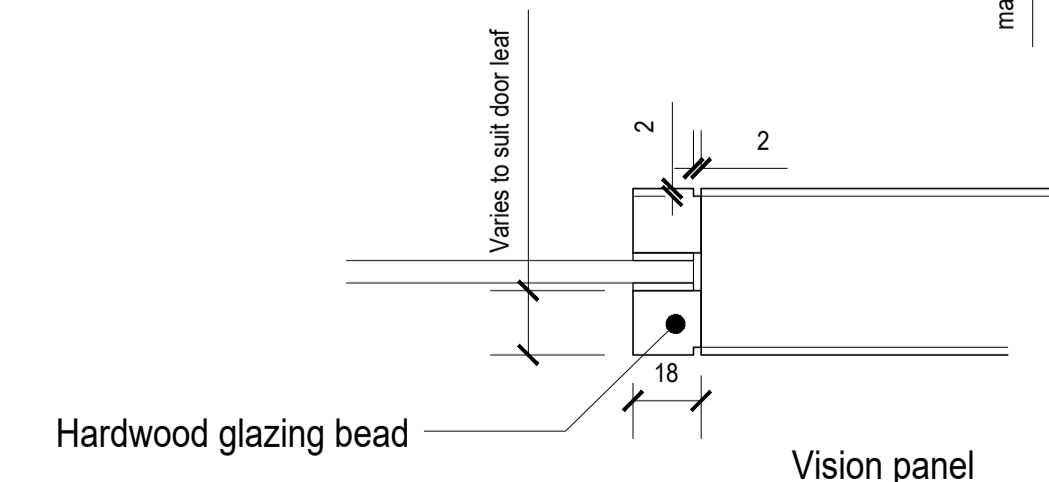
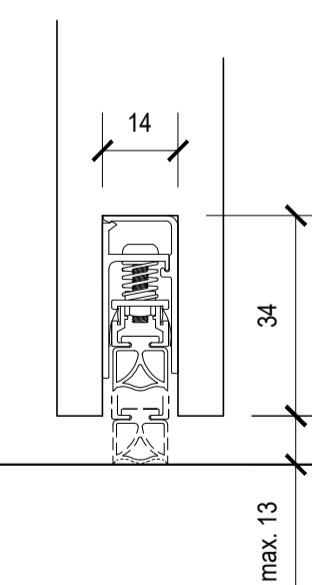
30 dB/35db (Rw / STC)



'Lorient' IS7061



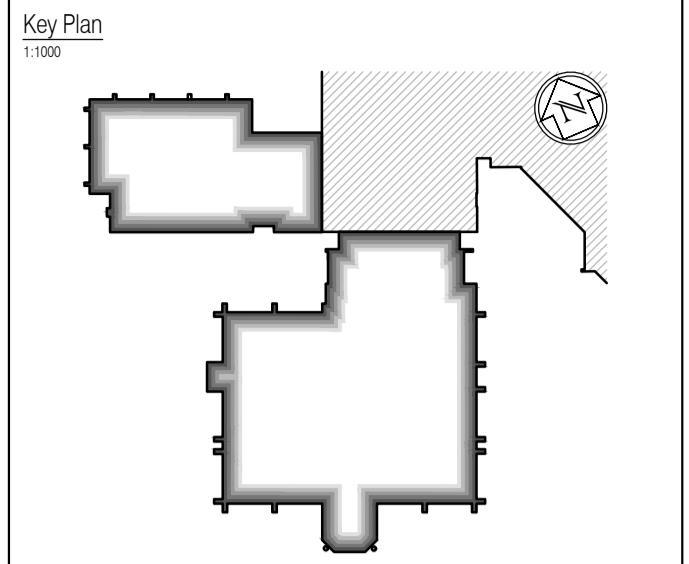
'Lorient' IS8010si



IMPORTANT NOTE: the specified acoustic seals will only provide the overall stated dB reduction if used in conjunction with the correctly specified door and frame constructions also. 44mm leaf 32db, 54mm leaf 35db.

Hardwood glazing bead to vision panel to door manufacturers details and specification to achieve 30 min fire rating and 32db/35db acoustic rating.

NOTES: Do not scale this drawing. All dimensions to be checked on site prior to commencement or manufacture.



ISSUED FOR CONSTRUCTION

NB: - Solid gray hatch denotes existing building fabric.

Rev	Date	By	Chk	Comment
A	16.09.11	FKC	JAS	Status change - Issued for CONSTRUCTION

BRINGING IDEAS TO LIFE

FRANKHAM

Frankham Consultancy Group Limited
21 Plympton Road
Haywards Heath RH16 3TP
t 01444 444900 f 01444 455642
enquire@frankham.com
www.frankham.com

Client

WILLMOTT DIXON CONSTRUCTION

Project Title

Wealden District Council
Hailsham Head Quarters
Refurbishments and Alterations

Drawing Title

Door details
Legend/notes

Drawn by: FKC	Scale: 1:2 @A1	Date: 10.06.11
Designed by: FCG	Checked by: JAS	Approved by: AC

File Ref.: X:\FRANKHAM\2011\16\25\34\50\1110004 20.06.11.16.25.34

Drawing No. 521185-A-450	Rev. A
-----------------------------	-----------