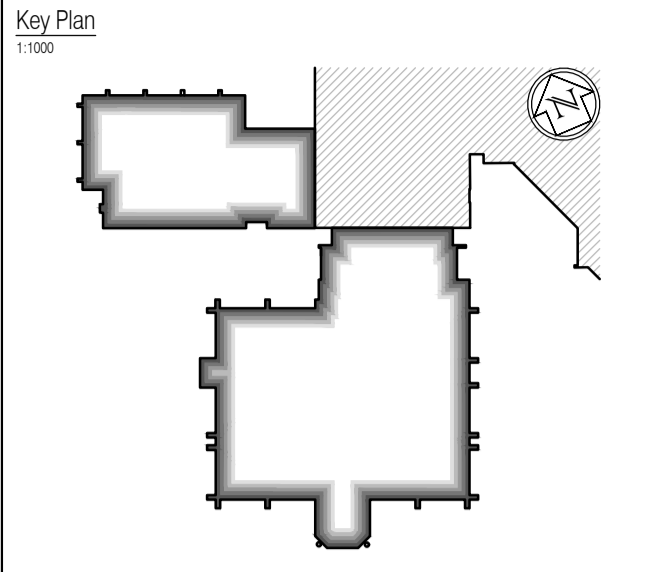


NOTES: Do not scale this drawing. All dimensions to be checked on site prior to commencement or manufacture.



- Notes**
- Refer to door schedule 521185-A-620.
 - Refer to door elevations drawing 521185-A-630.
 - Refer to NBS specification L20/L40.
 - Refer to fire seal/acoustic seal details drawing 521185-A-450.
 - Refer to drawings 521185-A-416 & 417 for new Vellac door details in existing openings.
 - Refer to drawings 521185-A-410 to 414 for external timber doors, cedar clad, details.
 - Refer to drawings 521185-A-410 to 412 and 414 Kaba sliding entrance door details, link block ground floor.
 - Refer to drawings 521185-A-418 and 419 Kaba internal sliding door details, link block ground floor.
 - Refer to drawing 521185-A-434 external metal door, second floor link block.

ISSUED FOR CONSTRUCTION

NB: - Solid gray hatch denotes existing building fabric.

Rev	Date	By	Chk	Comment
A	16.09.11	RKC	JAS	Status change - Issued for CONSTRUCTION

BRINGING IDEAS TO LIFE

FRANKHAM

Frankham Consultancy Group Limited
 21 Perrymount Road
 Haywards Heath RH16 3TP
 t 01444 444900 f 01444 455642
 enquiry@frankham.com
 www.frankham.com

Client

WILLMOTT DIXON CONSTRUCTION

Project Title

Wealden District Council
 Hailsham Head Quarters
 Refurbishments and Alterations

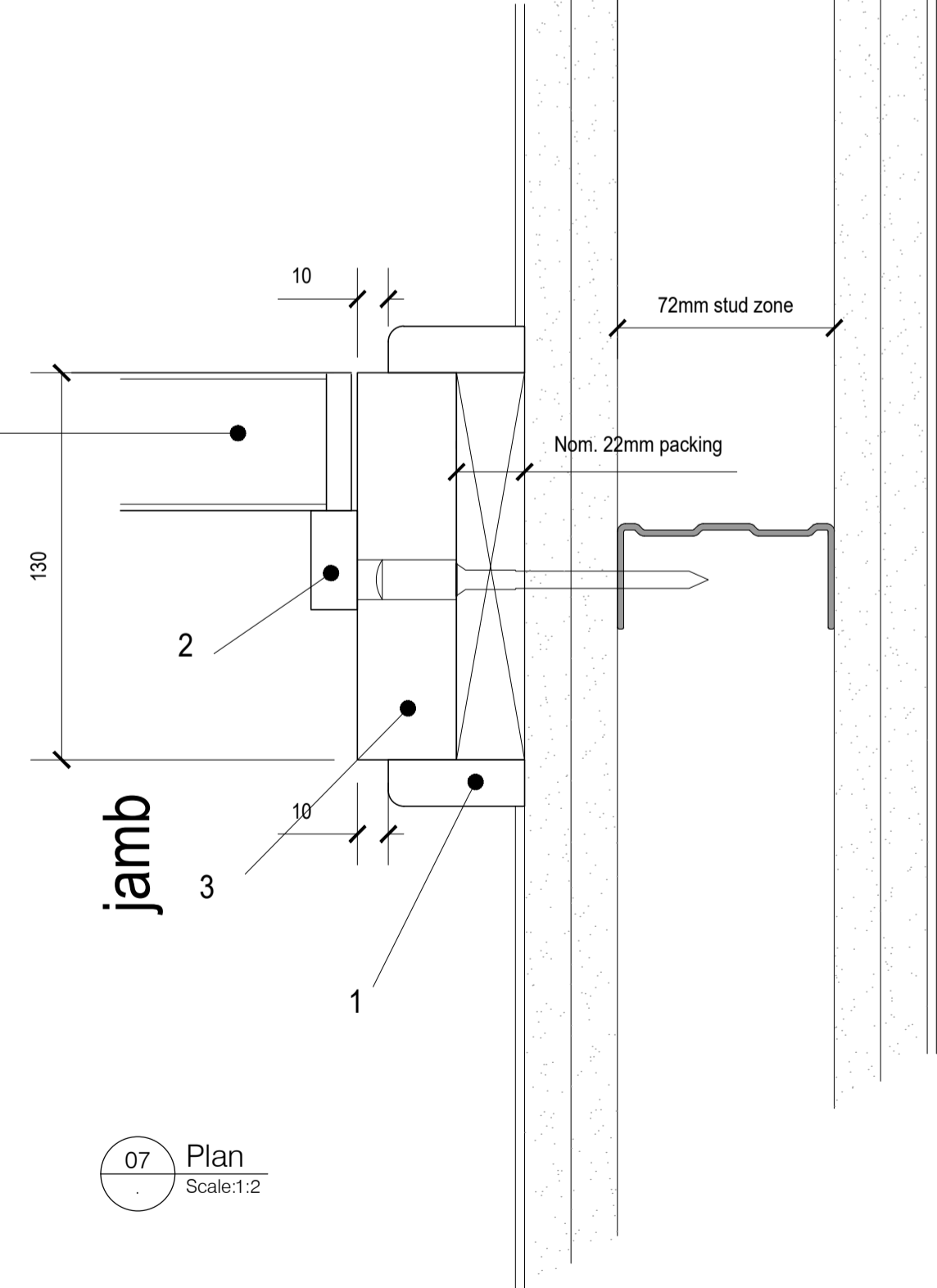
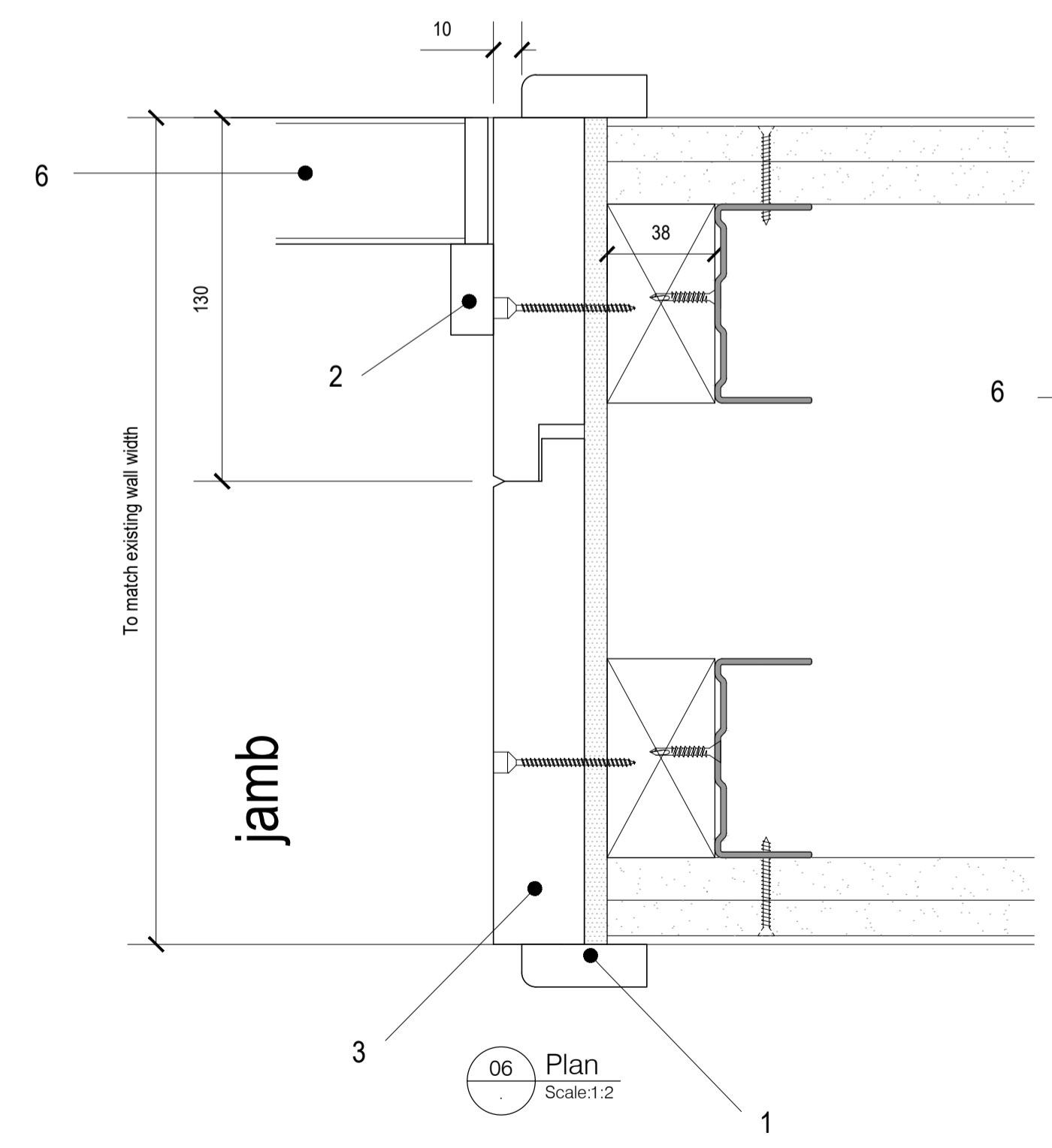
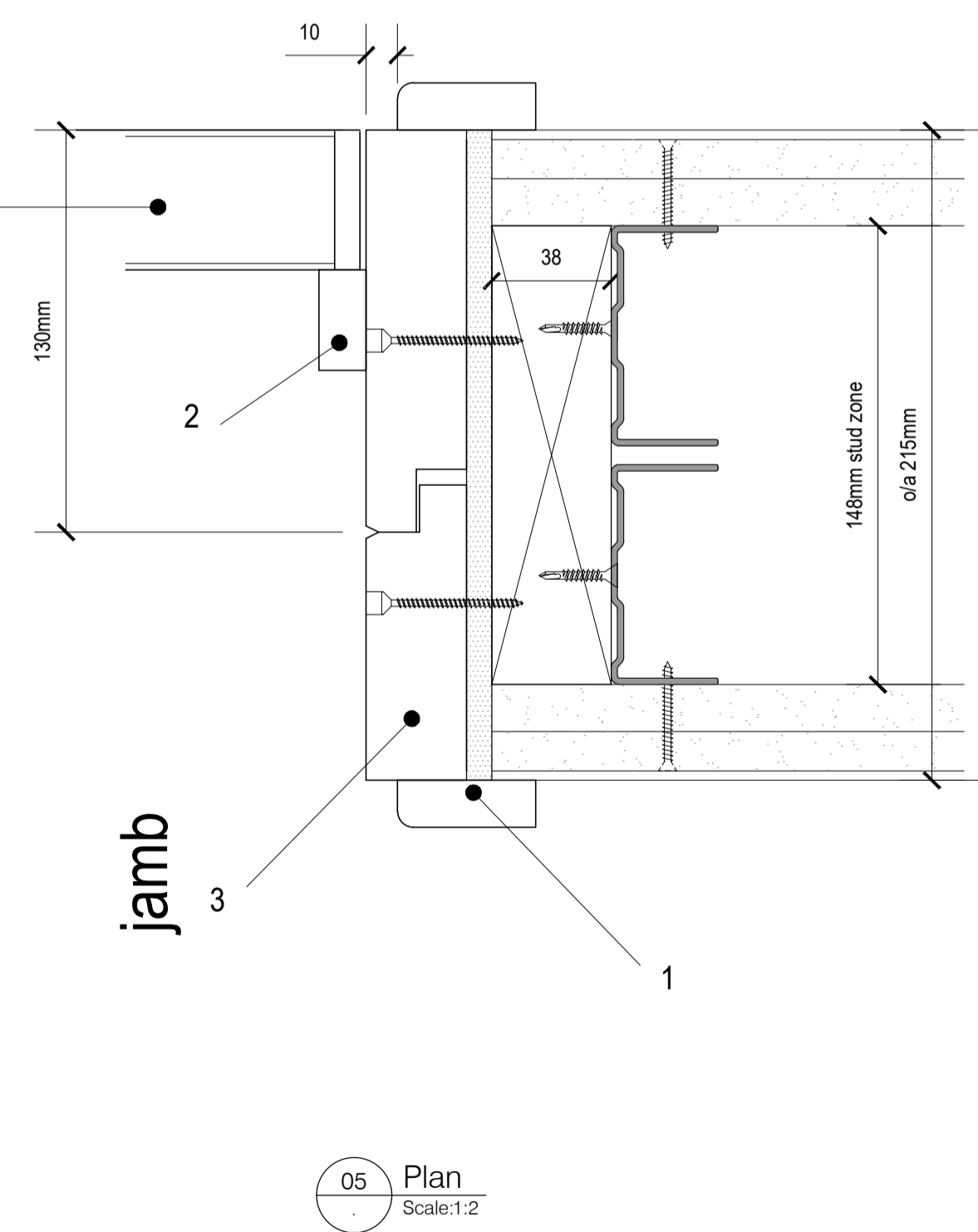
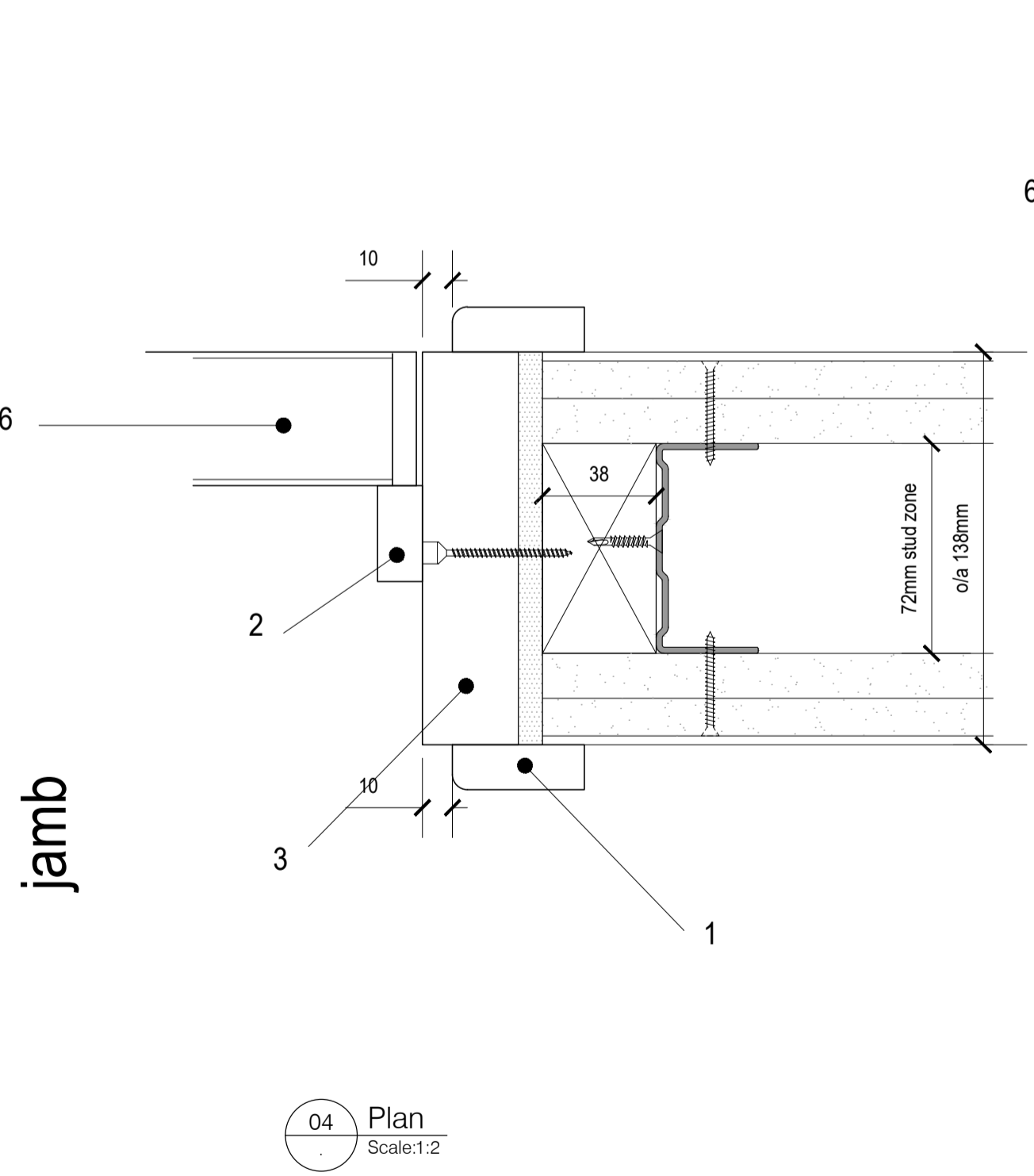
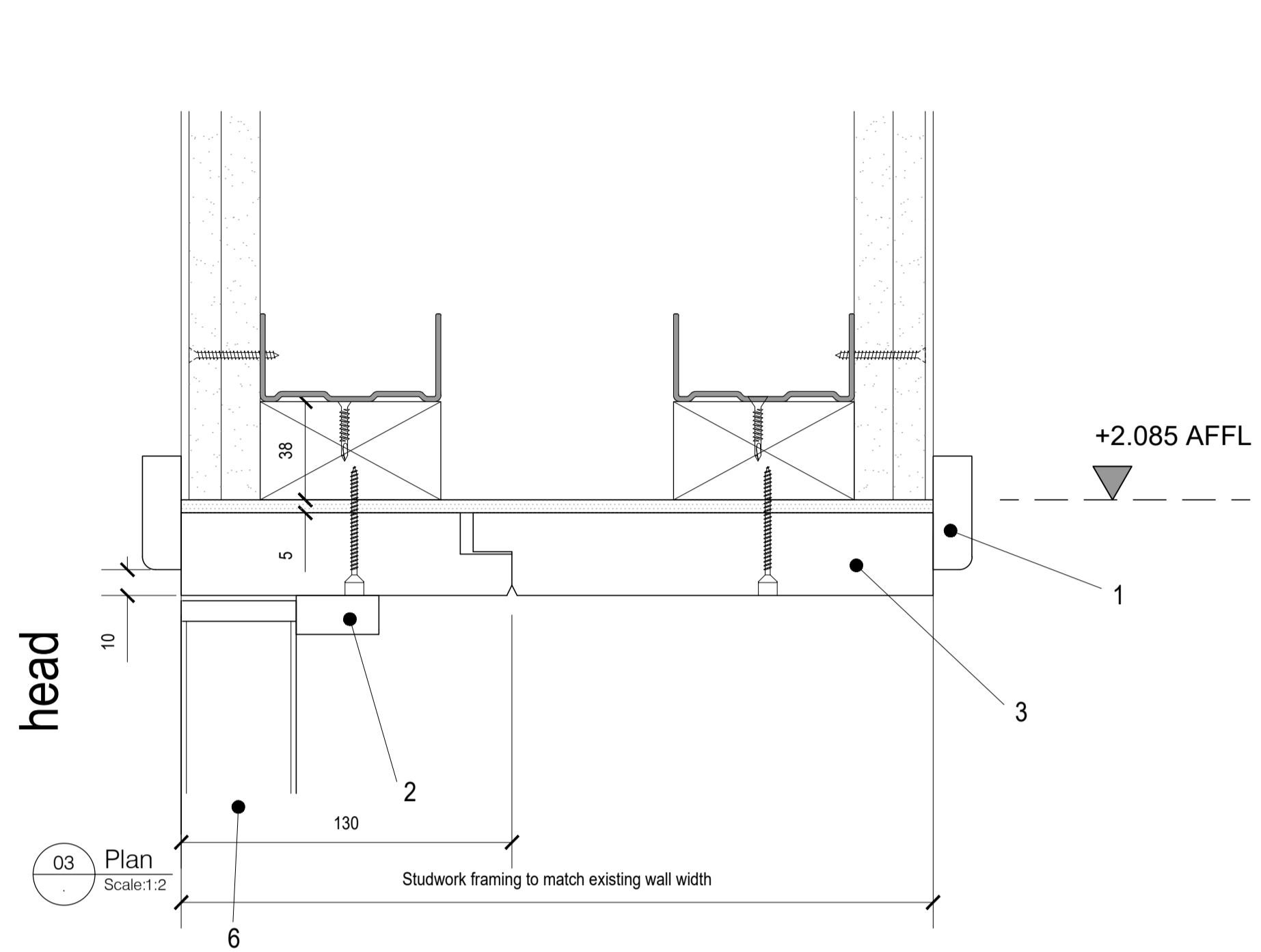
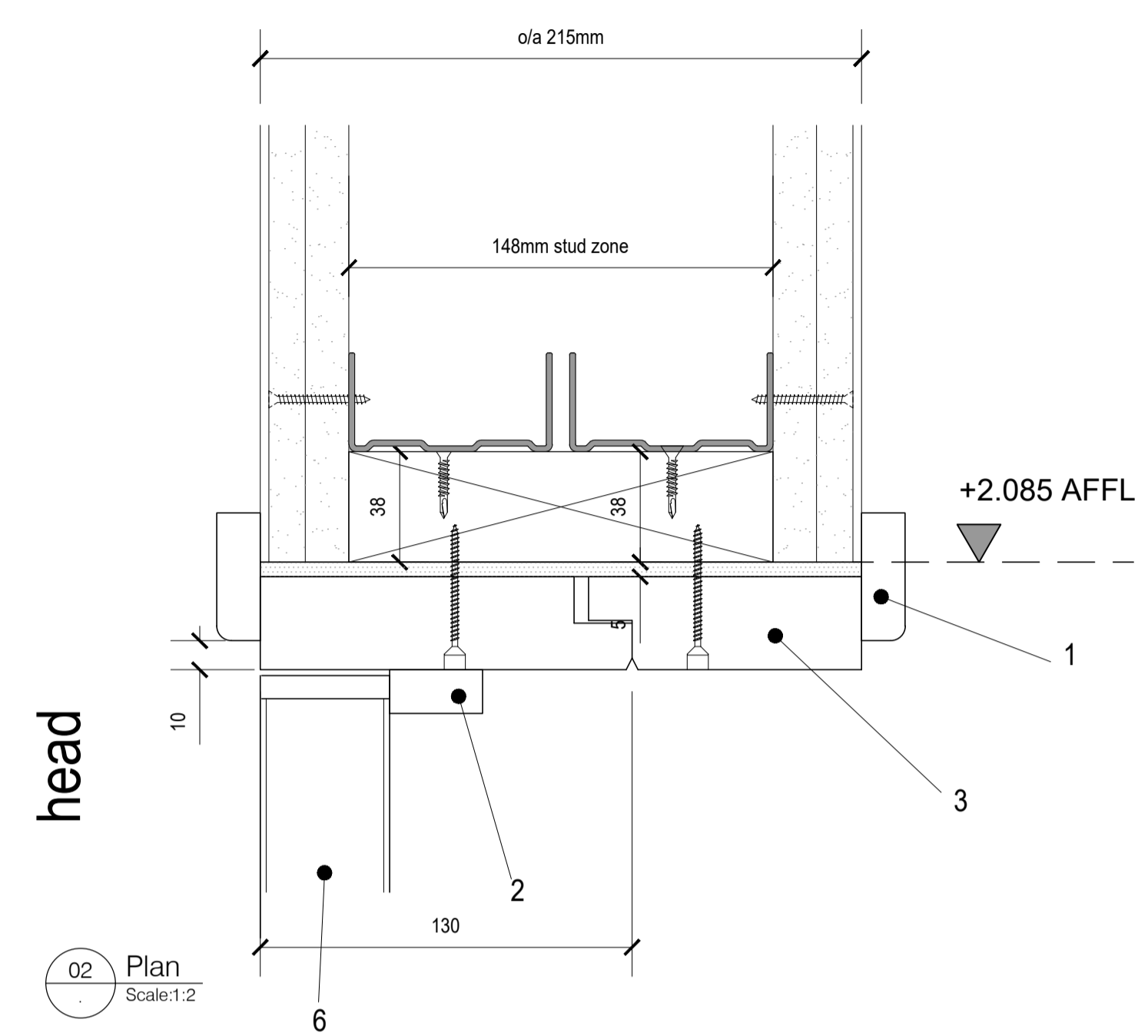
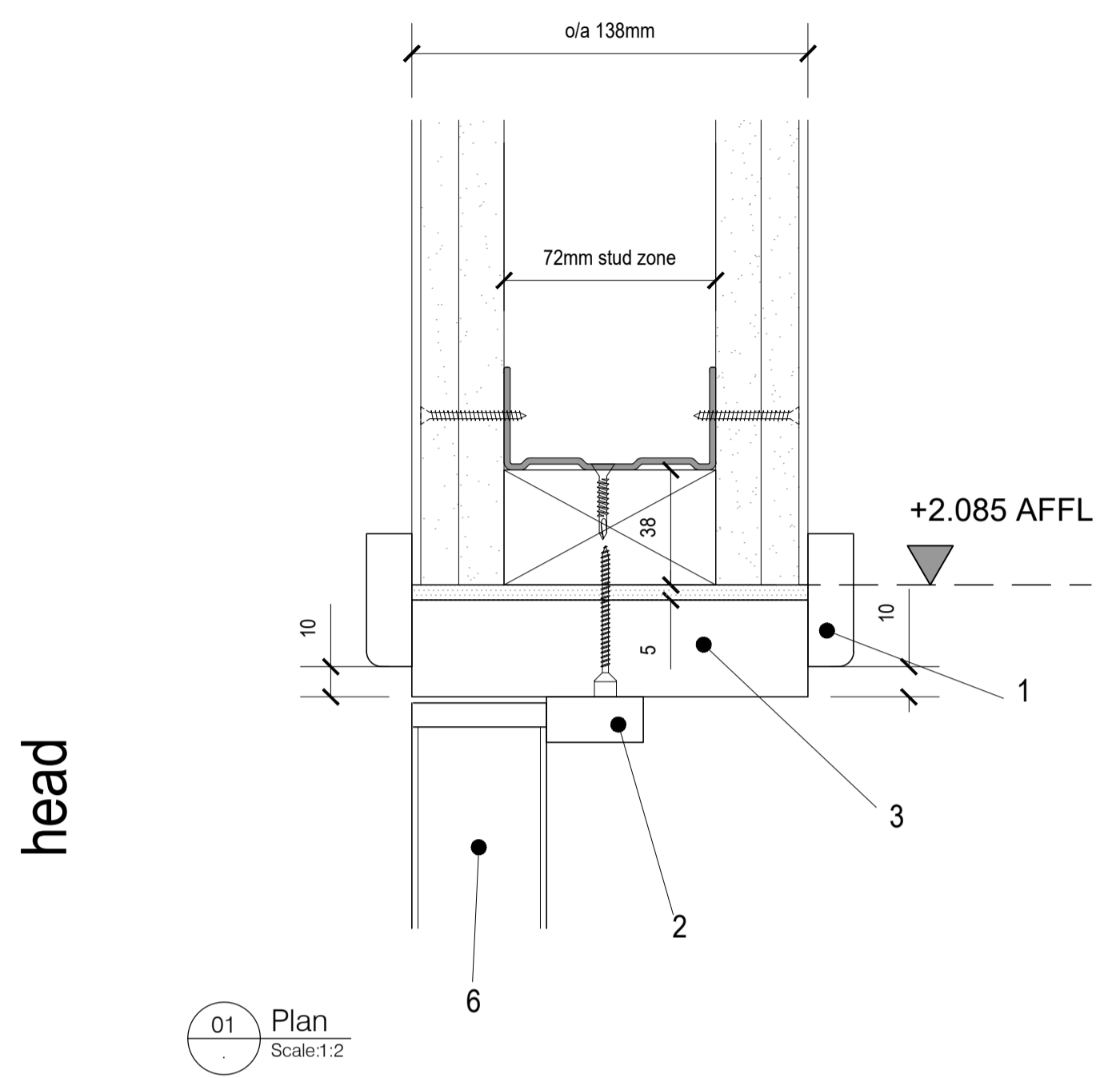
Drawing Title

Door details
 Drywall partition head and jamb details

Drawn by: RKC	Scale: 1:2 @A1	Date: 10.06.11
Designed by: FCG	Checked by: JAS	Approved by: AC

File Ref.: X:\FRANKHAM\20061116\WALDEN\DOORHEAD_40_DETAL_SCHMATIC_521185-A-451.DWG - 20061116

Drawing No. 521185-A-451	Rev. A
------------------------------------	------------------



NB: All information based on supplied third party survey information. All discrepancies to be reported to FCG immediately upon discovery.