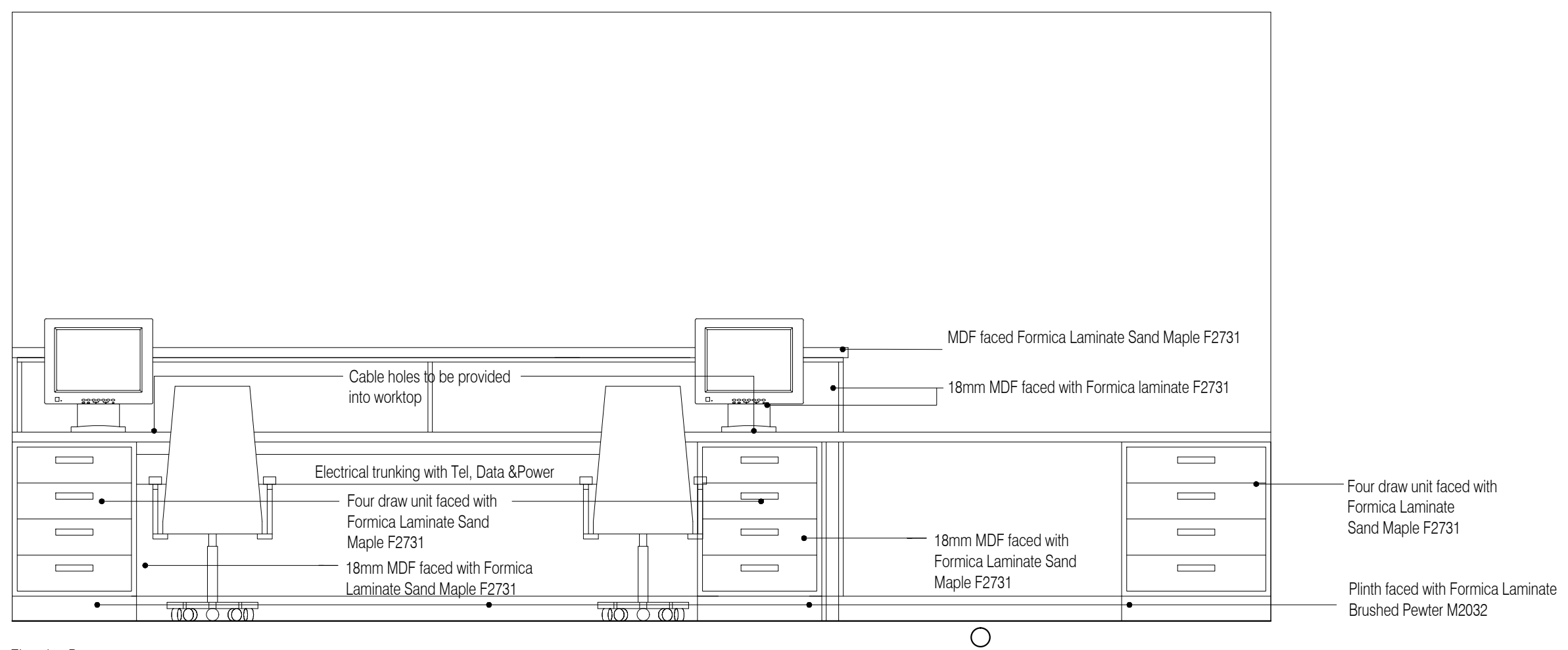
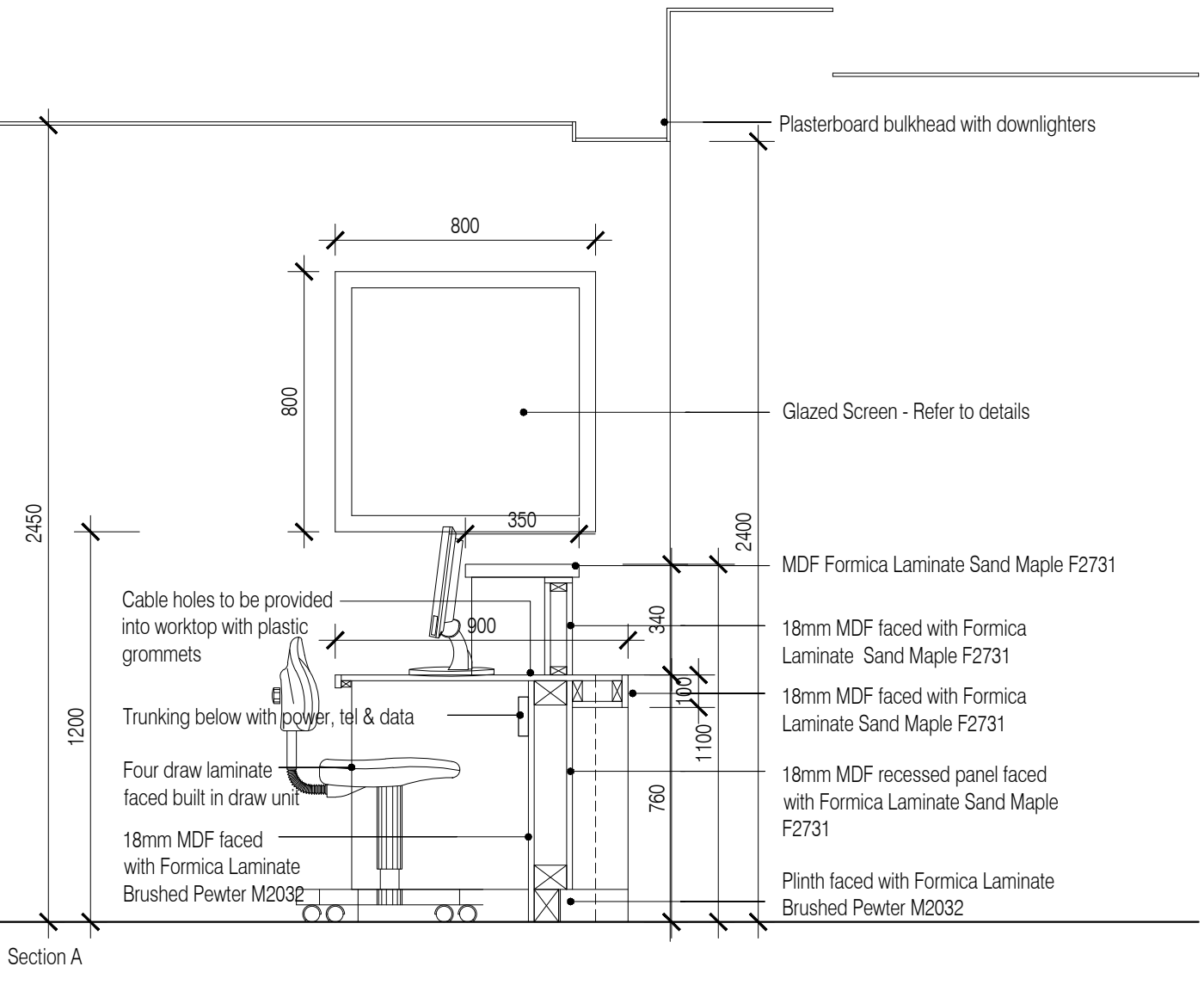


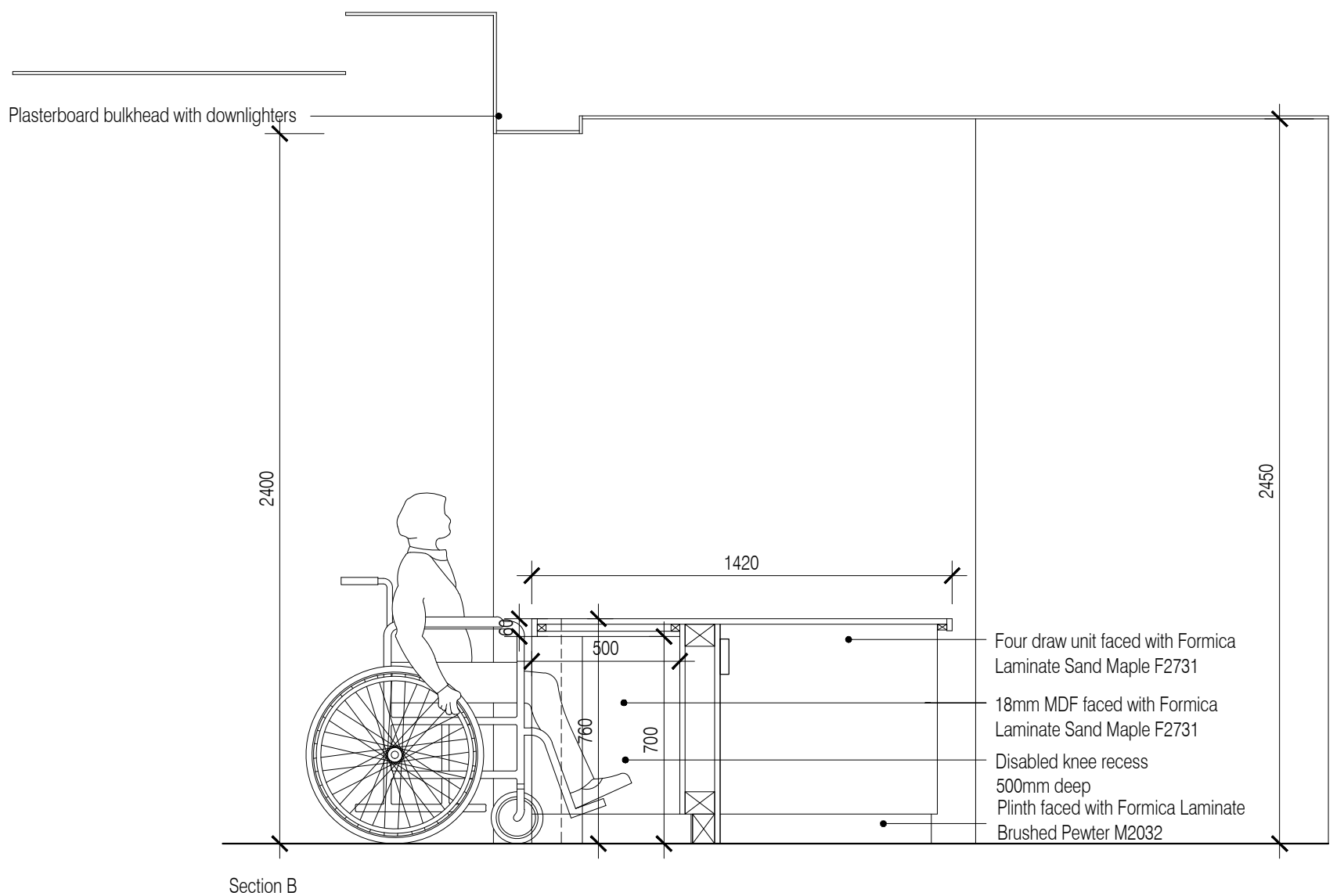
Elevation A



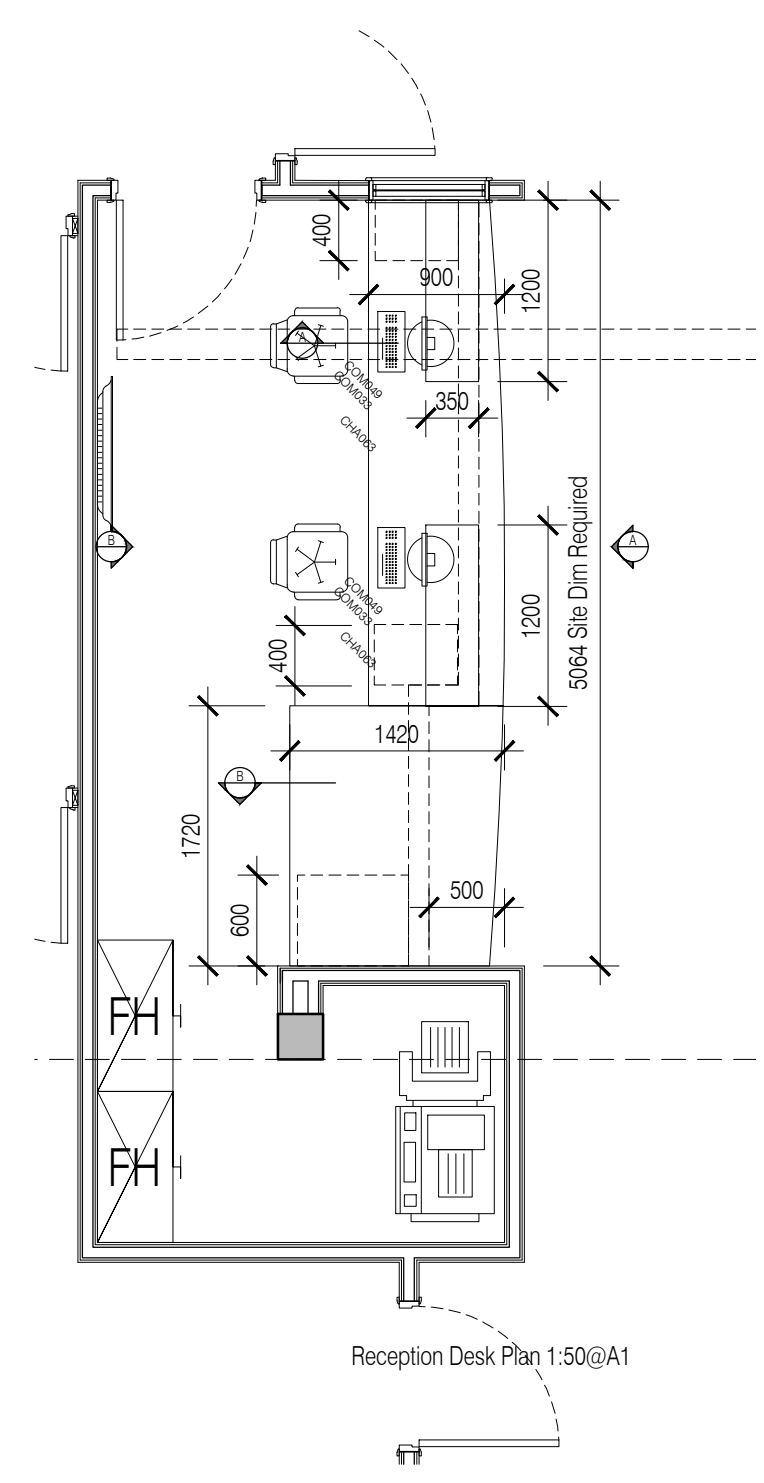
Elevation B



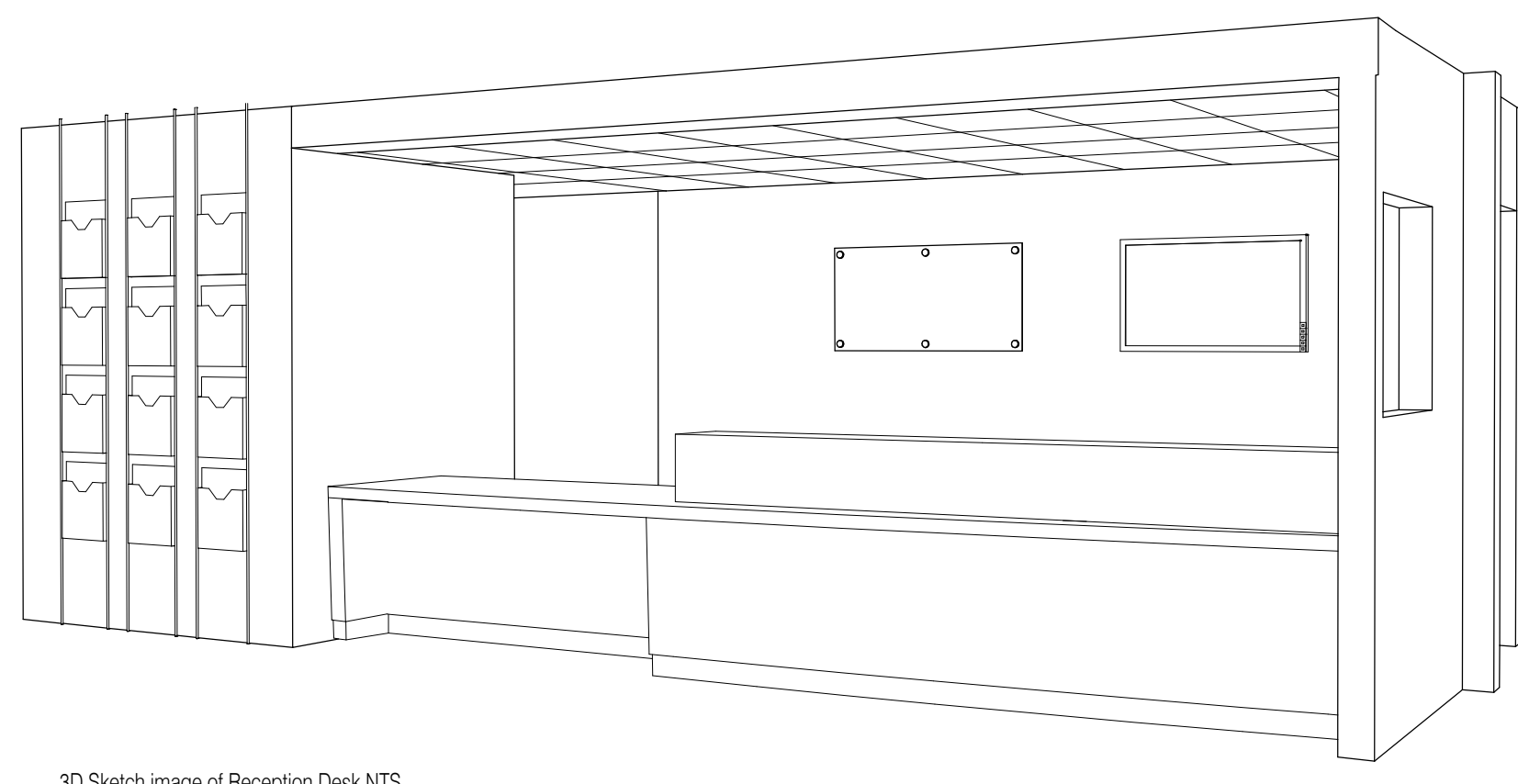
Section A



Section B



Reception Desk Plan 1:50@A1

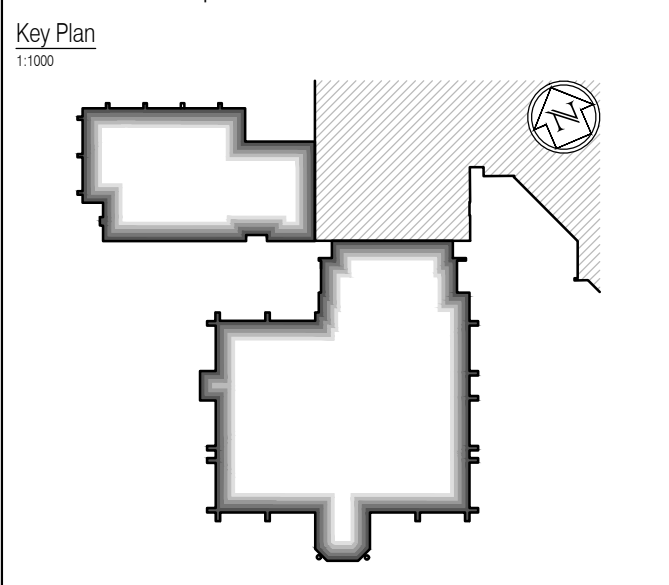


3D Sketch image of Reception Desk NTS

x:\frankham\z-jobs - Wealden DC HQ\Arch\900_999_Sketch Design\Sketch up\Reception

3D Sketch image of Reception Desk NTS

NOTES: Do not scale this drawing. All dimensions to be checked on site prior to commencement or manufacture.



Key Plan 1:1000

ISSUED FOR CONSTRUCTION

NB: - Solid gray hatch denotes existing building fabric.

Rev	Date	By	Chk	Comment
B	09.01.12	NW	JAS	Client Changes Refer to Rev Cloud
A	16.09.11	RKC	JAS	Status change - Issued for CONSTRUCTION

BRINGING IDEAS TO LIFE

FRANKHAM

Frankham Consultancy Group Limited
 21 Pymons Road
 Haywards Heath RH16 3TP
 t 01444 444900 f 01444 455642
 enquiry@frankham.com
 www.frankham.com

Client

WILLMOTT DIXON CONSTRUCTION

Project Title

Wealden District Council
 Hailsham Head Quarters
 Refurbishments and Alterations

Drawing Title

Reception Desk
 Details

Drawn by: RKC	Scale: 1:50/1:20@A1	Date: 23.06.11
Designed by: FCG	Checked by: JAS	Approved by: AC

File Ref.: X:\FRANKHAM\Z\091216\WEALDEN DC\ARCH\456 DETL_SCHMATIC_021616-A-490 DWG - 200611162700

Drawing No. 521185-A-490	Rev. B
------------------------------------	------------------

NB: All information based on supplied third party survey information. All discrepancies to be reported to FCG immediately upon discovery.

All Mechanical & Electrical and Structural information shown indicative only. Please refer to Mechanical & Electrical and Structural documentation.