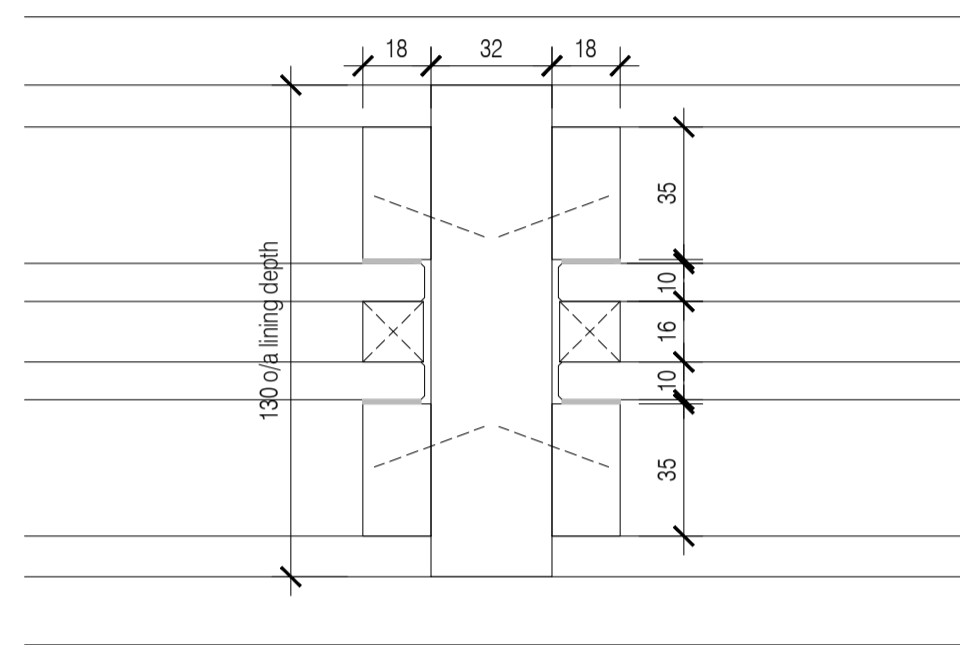
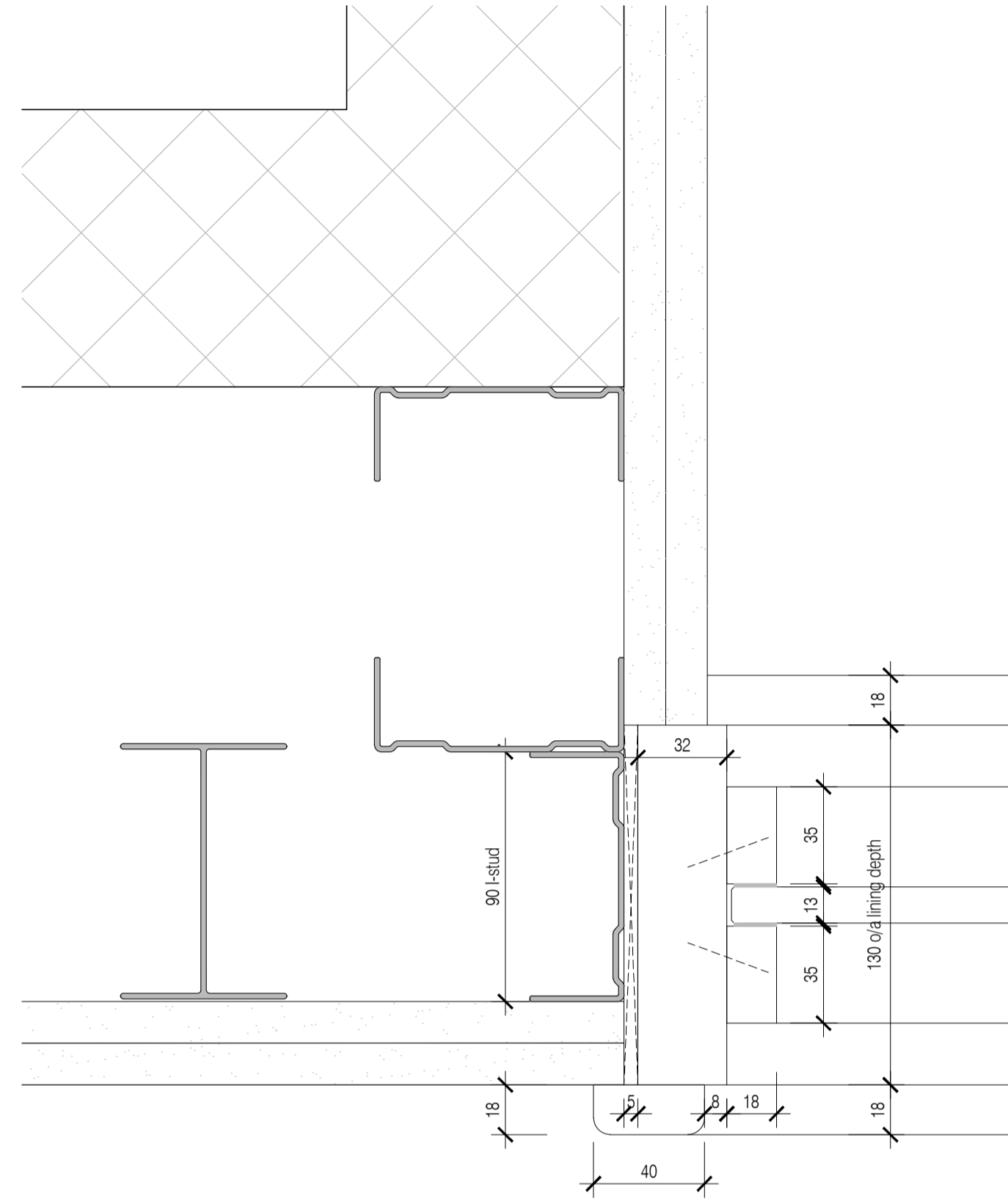


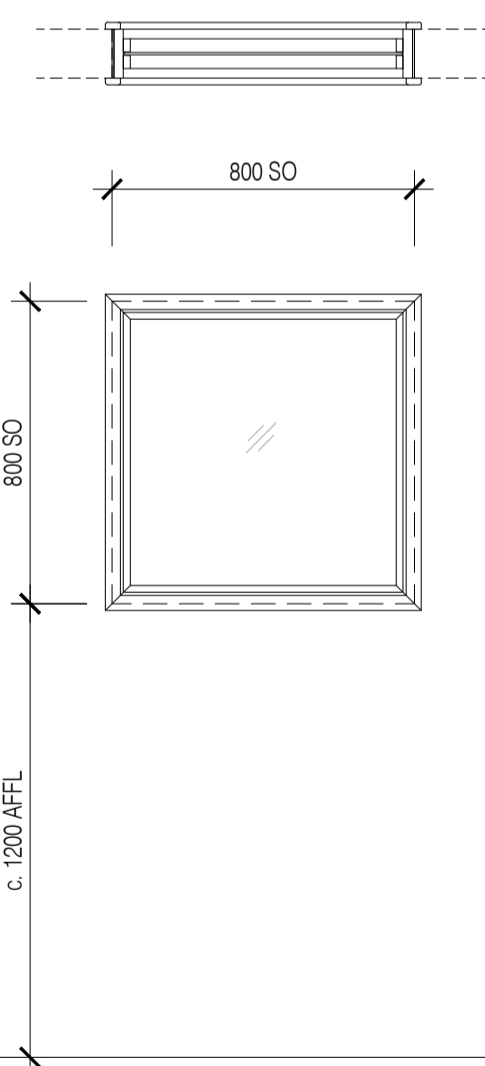
02 Typical Flush Wall to Screen Detail
Scale: 1:2



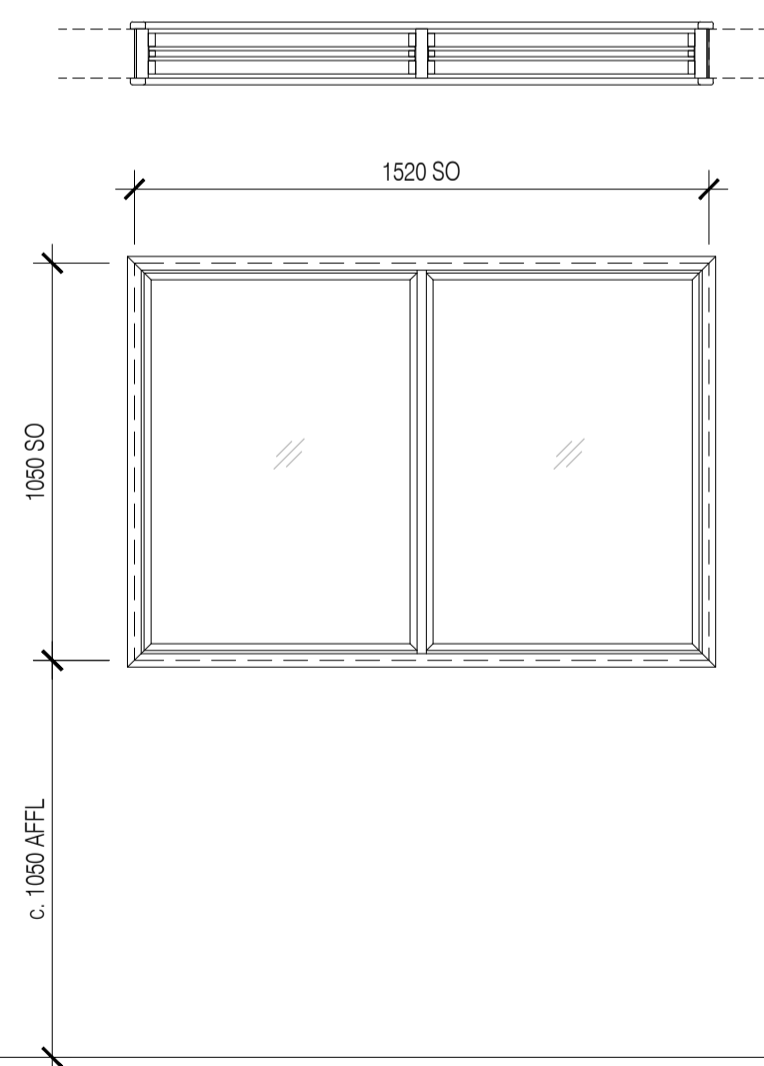
03 Typical Mid-Screen Mullion Detail (Double Glazed)
Scale: 1:2



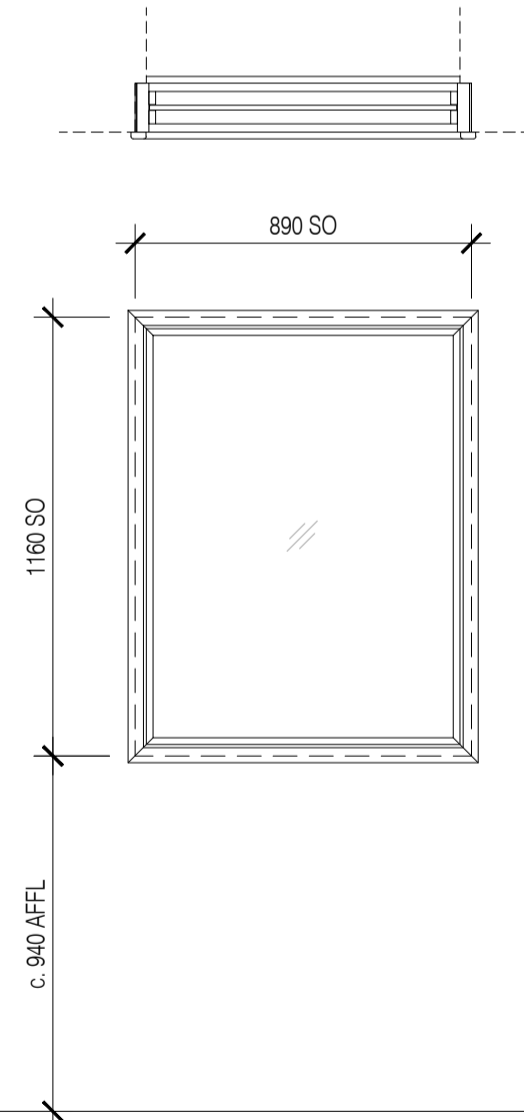
04 Typical Flanking Wall to Screen Detail (1st Floor Office Suite Areas)
Scale: 1:2



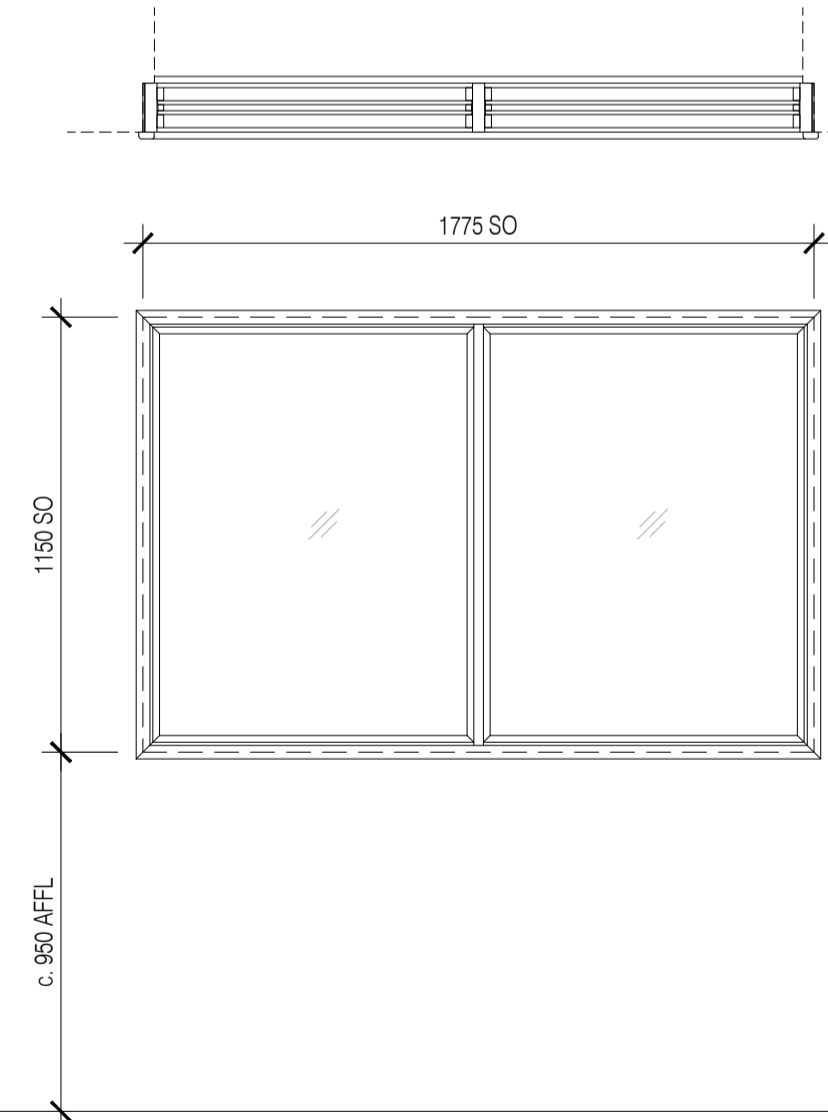
Screen Ref: S-G-16-01
Room Name: Reception Area
Room Ref: S-G-16
Acoustic Spec: N/A
Fire Resistance: N/A
Glass Spec: SGU - 6.4mm Pilkington Optilam Clear
Frame Material: Ash



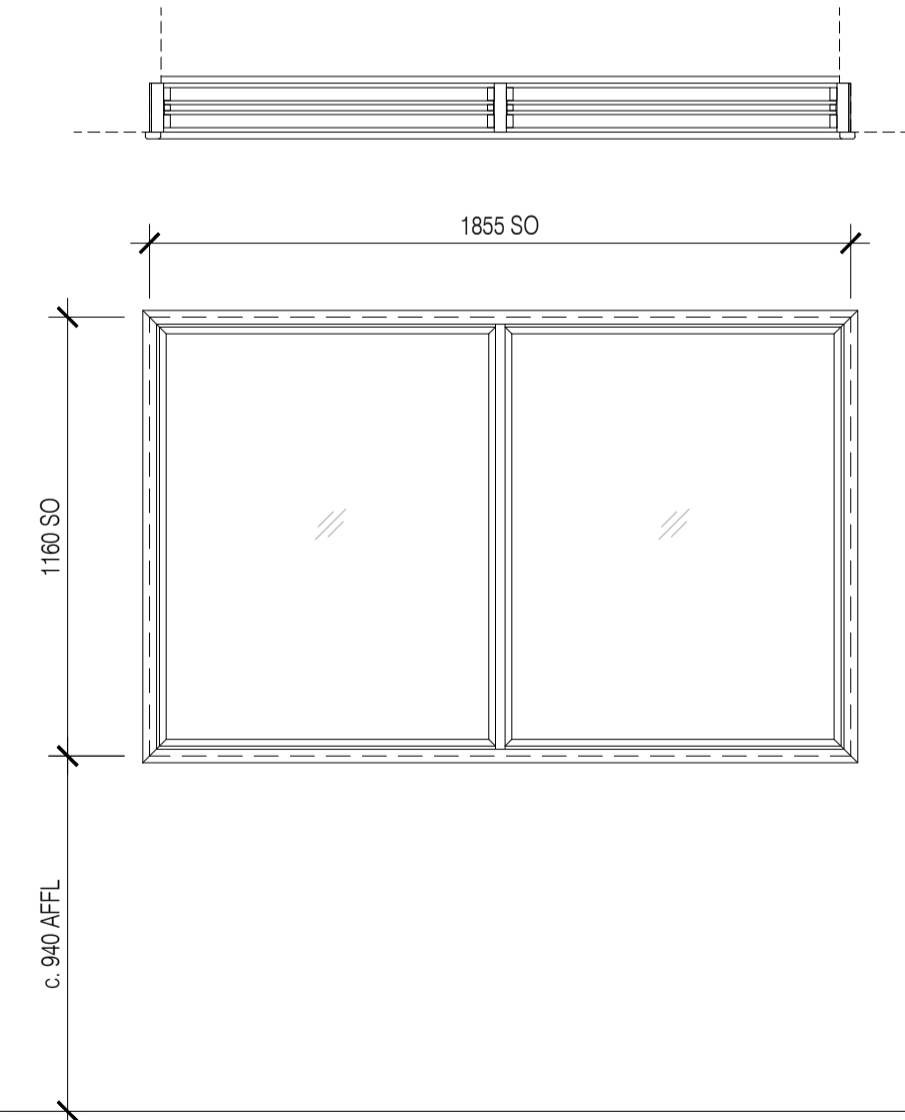
Screen Ref: S-F-24-01
Room Name: 1-to-1 Meeting Room
Room Ref: S-F-24
Acoustic Spec: Rw 41dB
Fire Resistance: E30
Glass Spec: DGU - 2 x 10mm Pilkington Pyroclear
Frame Material: Ash



Screen Ref: S-F-33-01
Room Name: Meeting Room
Room Ref: S-F-33
Acoustic Spec: Rw 38dB
Fire Resistance: N/A
Glass Spec: SGU - 12.8mm Pilkington Optiphon Clear
Frame Material: Ash



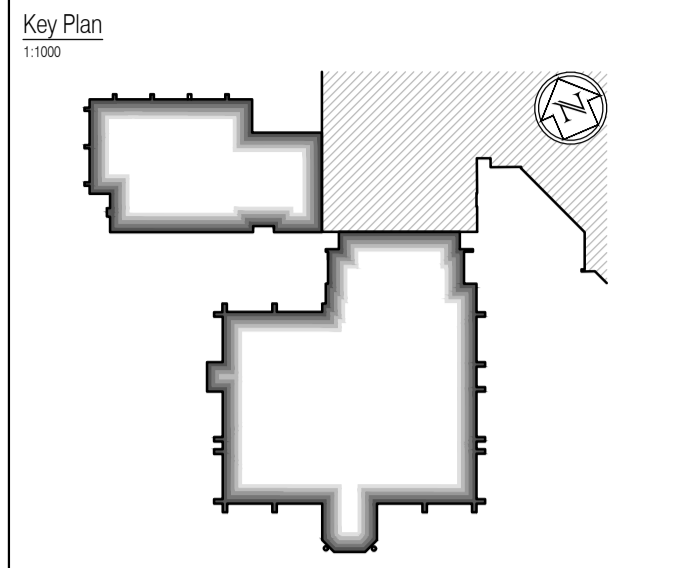
Screen Ref: S-F-34-01
Room Name: Leaders Office
Room Ref: S-F-34
Acoustic Spec: Rw 41dB
Fire Resistance: N/A
Glass Spec: DGU - 2 x 10mm Pilkington Optifloat T Clear
Frame Material: Ash



Screen Ref: S-F-42-01
Room Name: 1-to-1 Meeting Room
Room Ref: S-F-42
Acoustic Spec: Rw 41dB
Fire Resistance: N/A
Glass Spec: DGU - 2 x 10mm Pilkington Optifloat T Clear
Frame Material: Ash

01 Bespoke Internal Screen Elevations
Scale: 1:20

NOTES: Do not scale this drawing. All dimensions to be checked on site prior to commencement or manufacture.



NOTE: All openings site measured by Willmott Dixon dated 08.03.12

NOTE: All glazing has been specified following the information received from Pace Consult (received by email dated 03.02.12). Please take care to note however that a number of glazing types/options were mentioned dependant upon the final framing/system make-up. We would therefore recommend that a final review is carried out between the Contractor and Specialist Acoustic Consultant prior to fabrication.

ISSUED FOR CONSTRUCTION

NB: - Solid gray hatch denotes existing building fabric.

| Rev | Date | By | Chk | Comment |
|-----|------|----|-----|---------|
| | | | | |
| | | | | |
| | | | | |
| | | | | |
| | | | | |
| | | | | |

BRINGING IDEAS TO LIFE



FRANKHAM

Frankham Consultancy Group Limited
21 Perryman Road
Haywards Heath RH16 3TP
t 01444 444900 f 01444 455642
enquire@frankham.com
www.frankham.com

Client
WILLMOTT DIXON CONSTRUCTION

Project Title
Wealden District Council
Hailsham Head Quarters
Refurbishments and Alterations

Drawing Title
Bespoke Internal Timber Screen Elevations

| | | |
|---------------------|-------------------|--------------------|
| Drawn by: RKC | Scale: 1:20@A1 | Date: 19.03.12 |
| Designed by: FCG | Checked by: RC | Approved by: AC |

File Ref.: 1\FRANKHAM\2\082\16\WALDEN\20\ARCH\66_SCREENS
21185-A-631 - 2008110237

Drawing No. 521185-A-631 Rev. -