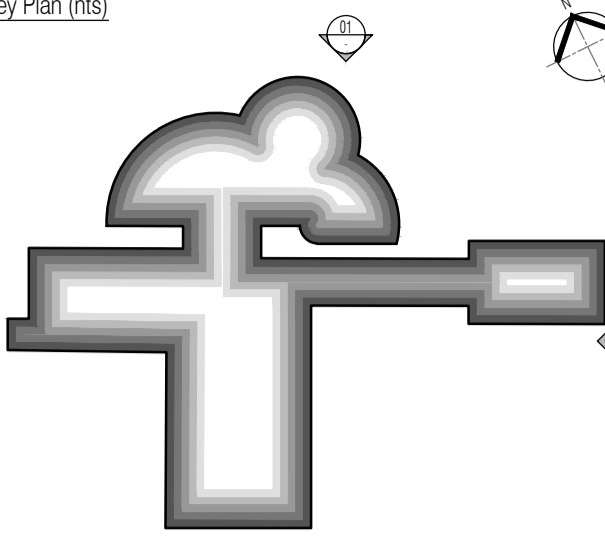
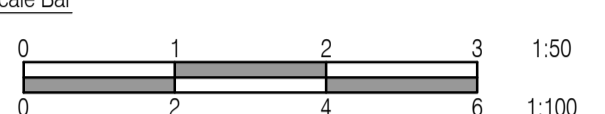
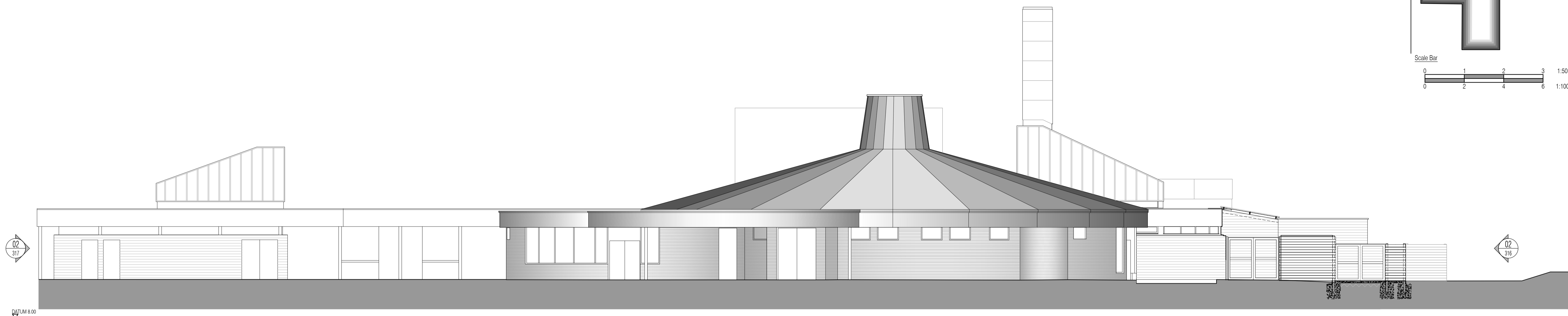


NOTES: Do not scale this drawing. All dimensions to be checked on site prior to commencement or manufacture.
Key Plan (m/s)



Scale Bar

01 North Elevation
Scale: 1:100



02 East Elevation
Scale: 1:100

AS BUILT
DRAWING

All details referenced in call outs supercede general arrangement or larger depictions.

Rev	Date	By	Chk	Comment
AB1	07.01.13	RKC	JAS	DRAWING ISSUED - AS BUILT

BRINGING IDEAS TO LIFE



FRANKHAM

Frankham Consultancy Group Limited
21 Pymms Road
Haywards Heath RH12 3TP
t 01444 444900 f 01444 455642
enquire@frankham.com
www.frankham.com

Client




Contract N°: Worthing

Project Title

Eastbourne & Worthing
Crematoria
Refurbishments and Alterations

Drawing Title



Worthing Crematorium
Proposed North & East Elevations

Drawn by: RKC	Scale: 1:100@A1	Date: 28.10.11
Designed by: FCG	Checked by: JAS	Approved by: AC

File Ref.: X:\FRANKHAM\2\JOB\521260 CREMATORIA\ARCH\05E 000 ELEVATIONS	20.06.11 12:16:19
Drawing No: 521260-A-315-W	Rev: AB1

NB: All information based on supplied third party survey information.
All discrepancies to be reported to FCG immediately upon discovery.