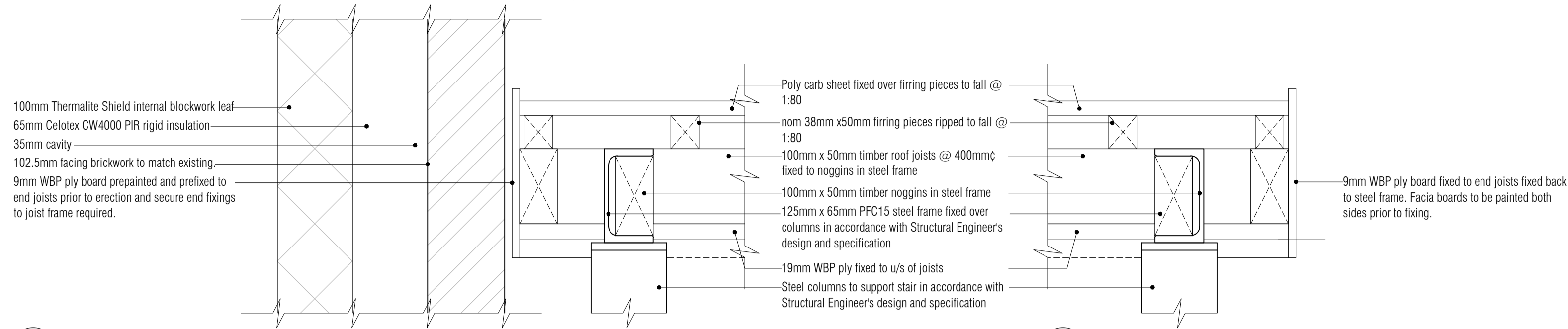
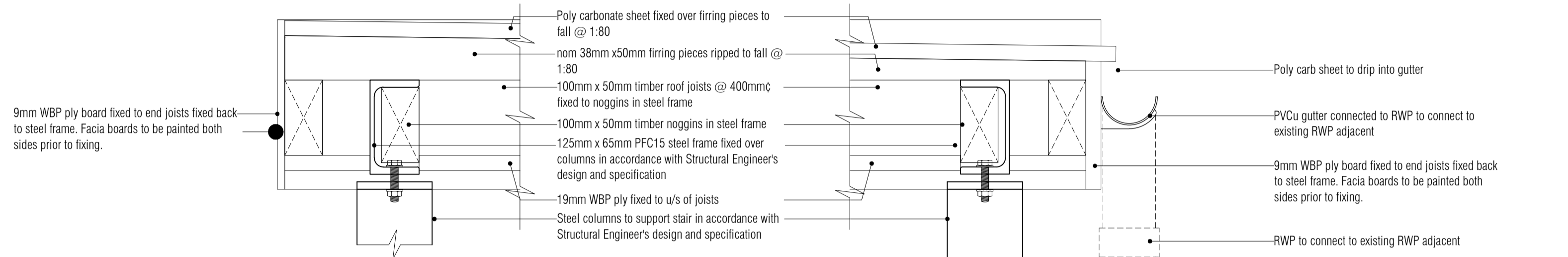


All Disabled and Ambulant Disabled facilities to comply with Approved Document Part M - Access to and use of buildings, Disability Discrimination Act 1995 and BS83000 as required



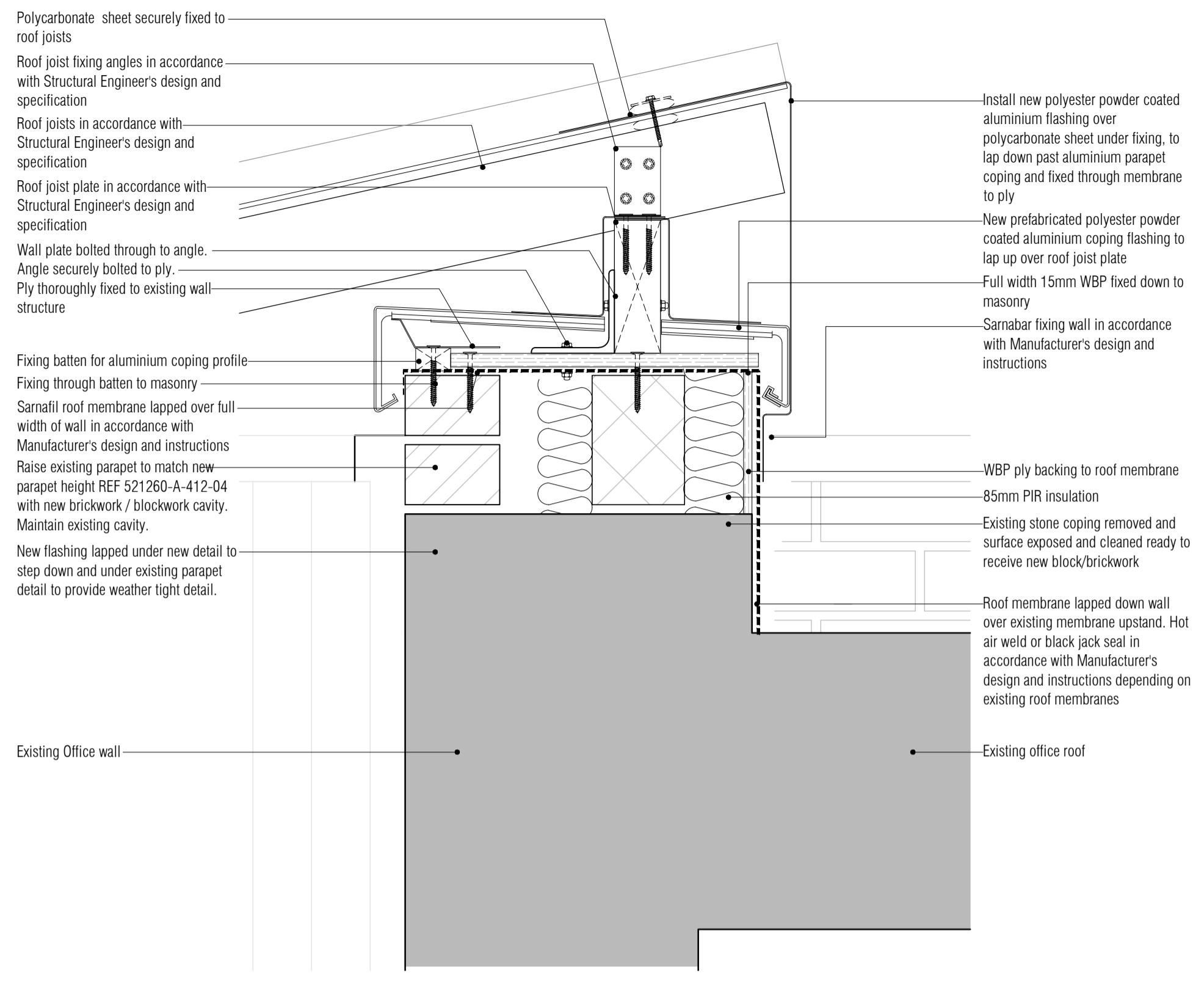
01 Metal Stair Canopy Facia Detail
Scale: 1:5

02 Metal Stair Canopy Facia Detail
Scale: 1:5



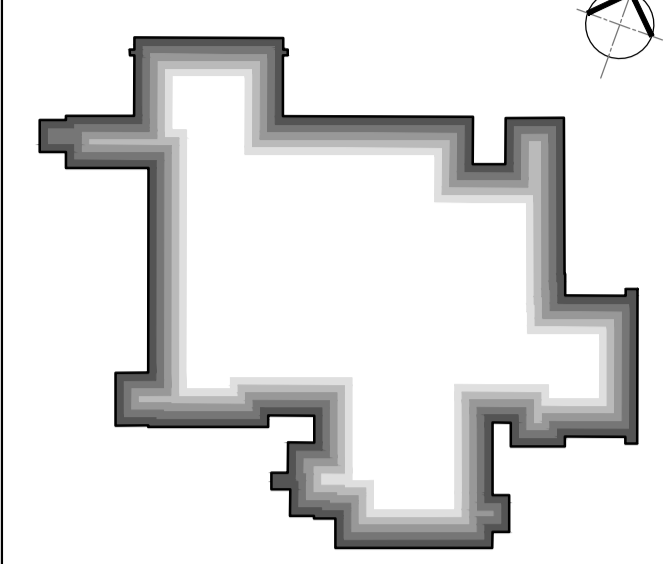
03 Metal Stair Canopy Facia Detail
Scale: 1:5

04 Metal Stair Canopy Facia Detail
Scale: 1:5



05 Covered Corridor Parapet Detail
Scale: 1:5

NOTES: Do not scale this drawing. All dimensions to be checked on site prior to commencement or manufacture. Key Plan (nts)



STAIRCASE CRITERIA

LOWER GF to GROUND	floor total rise	= 2125 mm
13 number RISERS	@	= 163.461 mm
12 number GONINGS	@	= 350 mm
PITCH of stair to be		= 25.0341 °
Overall STRING to be		= 1210 mm

Height to top of handrail to be min 900mm
Height to top of guarding to be min 1100mm
Balusters to be max 100mm clear spaced apart.
Min 2000mm clear headroom above stair pitch line.

STAGE - F
DESIGN ISSUE

All details referenced in call outs supercede general arrangement or larger depictions.

Rev	Date	By	Chk	Comment
P3	01.06.12	RKC	JAS	Issued for Stage F
P2	28.05.12	RKC	JAS	Detail 05 added
C2	16.05.12	RKC	JAS	Gen revs per Client comments
C1	29.03.12	RKC	JAS	Issued for CONSTRUCTION

BRINGING IDEAS TO LIFE

FRANKHAM

Frankham Consultancy Group Limited
21 Perrymount Road
Haywards Heath RH16 3TP
t 01444 444900 f 01444 455642
enquire@frankham.com
www.frankham.com

Client

Mansell
Contract N°: MC0269

Project Title

Eastbourne & Worthing
Crematoria
Refurbishments and Alterations

Drawing Title

EASTBOURNE
Eastbourne Crematorium
External Stair Details

Drawn by: RKC	Scale: 1:5@A1	Date: 08.03.12
Designed by: FCG	Checked by: JAS	Approved by: AC

File Ref.: X:\FRANKHAM\2\521260-ORIENTATIONS\ARCH\404-410-DETAILS\DWG\521260-4-404-E.DWG - 20081121736 20.06.11.12.17.37

Drawing No. 521260-A-404-E	Rev. P3
-------------------------------	------------

NB: All information based on supplied third party survey information. All discrepancies to be reported to FCG immediately upon discovery.