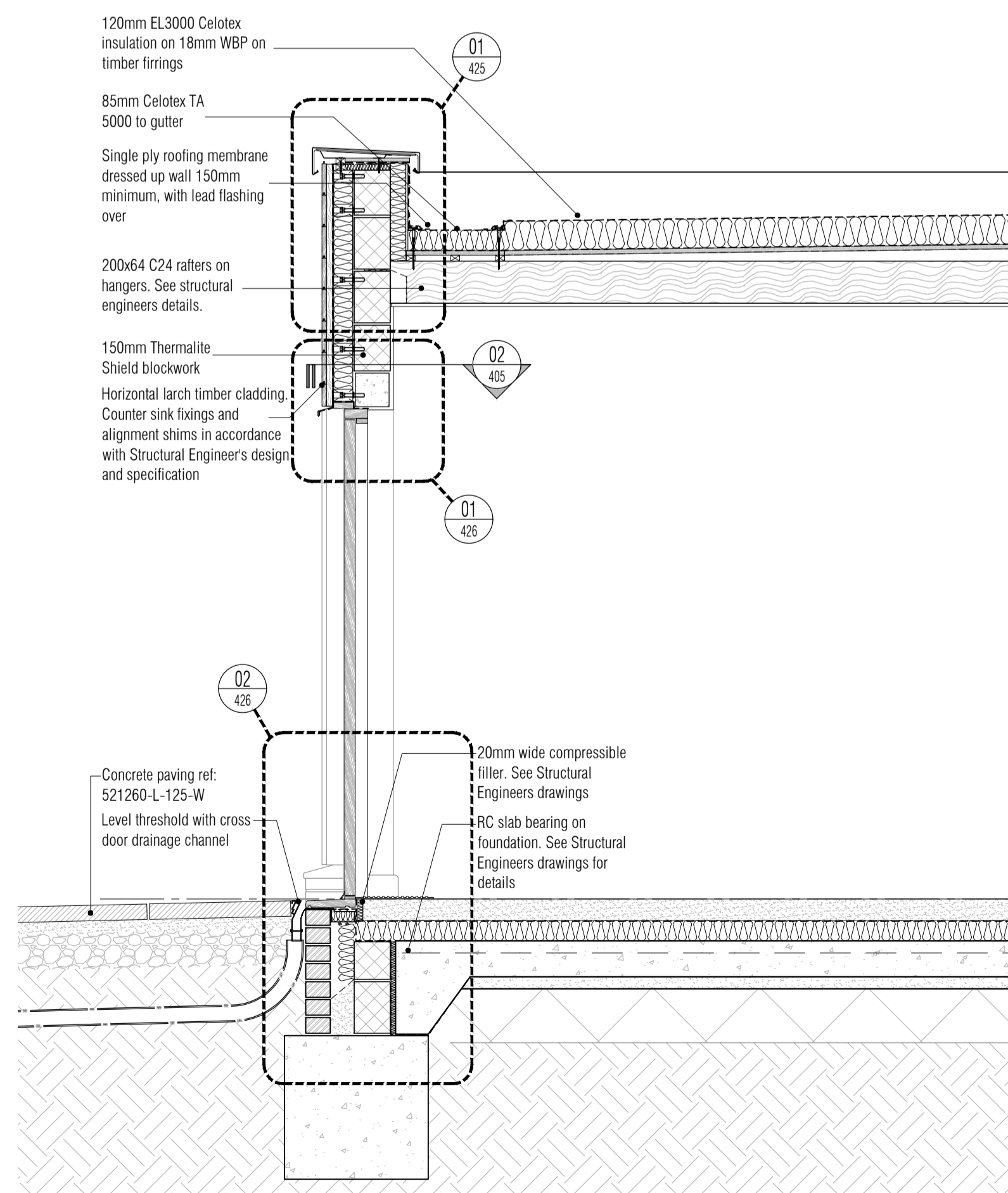
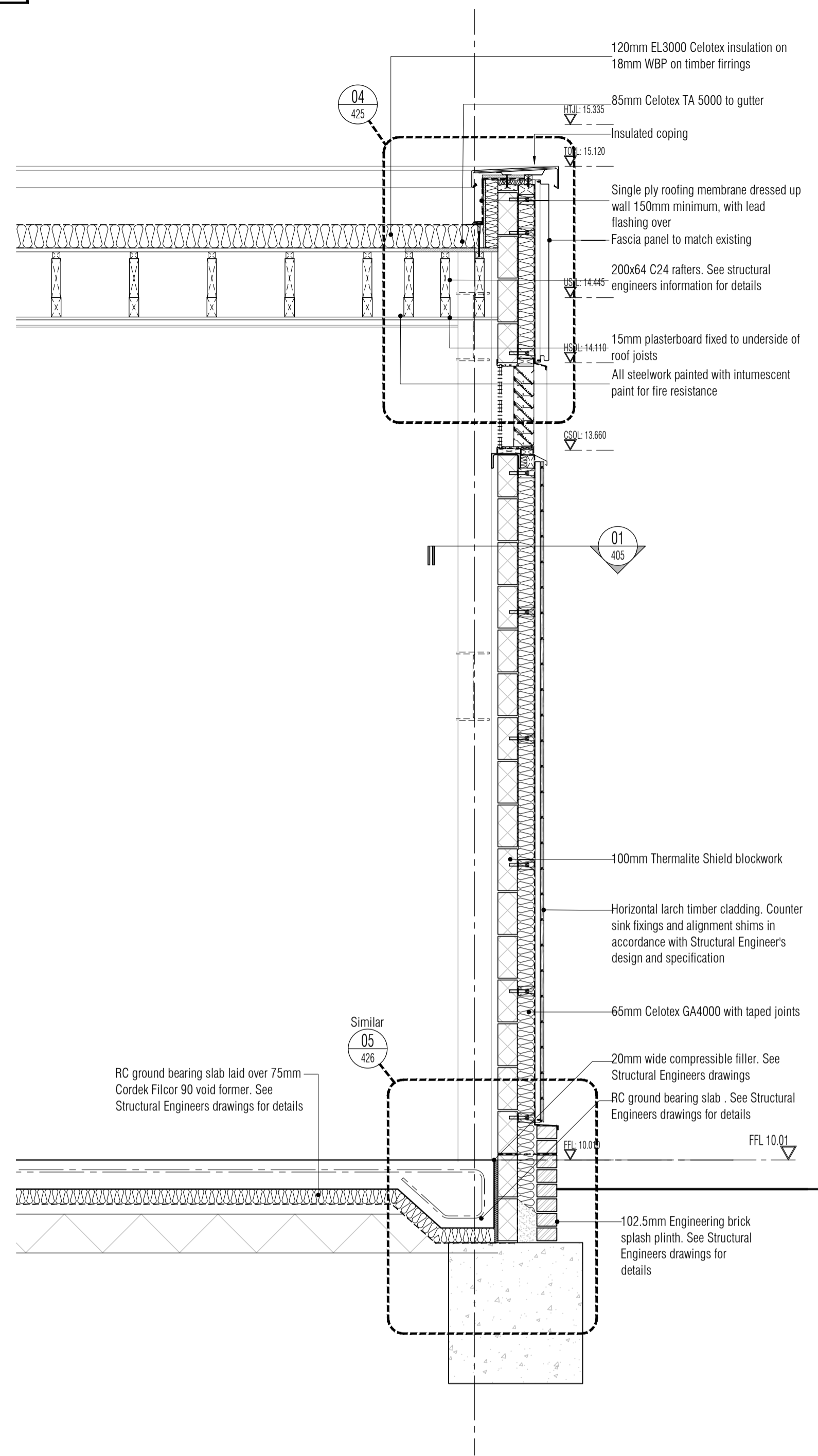


01 Detail Section A Through Staff Room Extension
Scale: 1:20

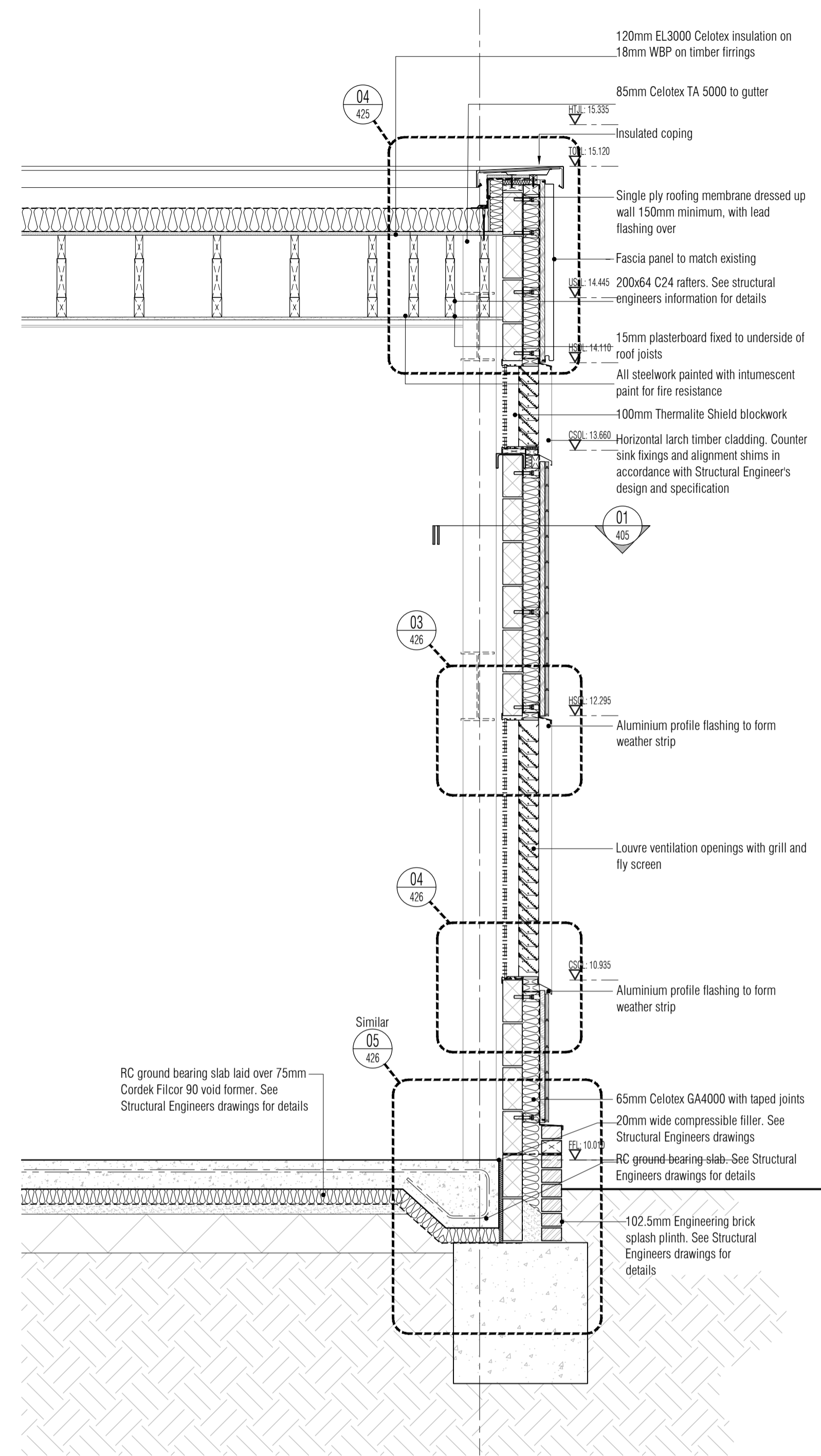


03 Detail Section C Through Staff Room Door
Scale: 1:20

NB: All information based on supplied third party survey information. All discrepancies to be reported to FCG immediately upon discovery.

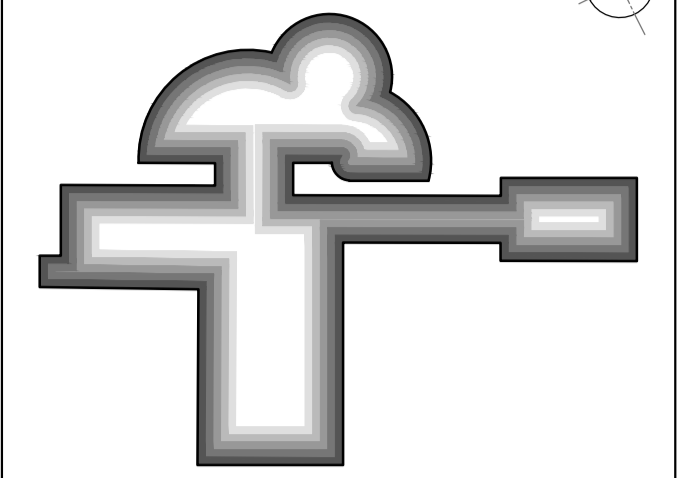


02 Detail Section B Through Abatement Room Extension
Scale: 1:20



04 Detail Section B Through Louvers in Abatement Room Extension
Scale: 1:20

NOTES: Do not scale this drawing. All dimensions to be checked on site prior to commencement or manufacture. Key Plan (nts)



ISSUED FOR CONSTRUCTION

All details referenced in call outs supercede general arrangement or larger depictions.

Rev	Date	By	CHK	Comment
C2	09.07.12	RKC	JAS	Issued for Construction
F7	01.06.12	RKC	JAS	Issued for Stage F
P6	18.05.12	RKC	JAS	Sections read per CC3
T1	23.04.12	RKC	JAS	Issued for CONSTRUCTION

BRINGING IDEAS TO LIFE



FRANKHAM

Frankham Consultancy Group Limited
21 Perrymount Road
Haywards Heath RH16 3TP
t 01444 444900 f 01444 455642
enquire@frankham.com
www.frankham.com

Client




Contract N°: Worthing

Project Title

Eastbourne & Worthing
Crematoria
Refurbishments and Alterations

Drawing Title



Worthing Crematorium
Wall Sections A, B, C & D

Drawn by: RKC	Scale: 1:20@A1	Date: 07.02.12
Designed by: FCG	Checked by: JAS	Approved by: AC

File Ref: X:\FRANKHAM\2\JOB\01210 CREMATORIA\WCH\426-429 DETAIL DOCUMENTS 521260-A-415-W-DWG - 20081121.DWG	20.06.11.12.18.46
Drawing No: 521260-A-415-W	Rev: C2