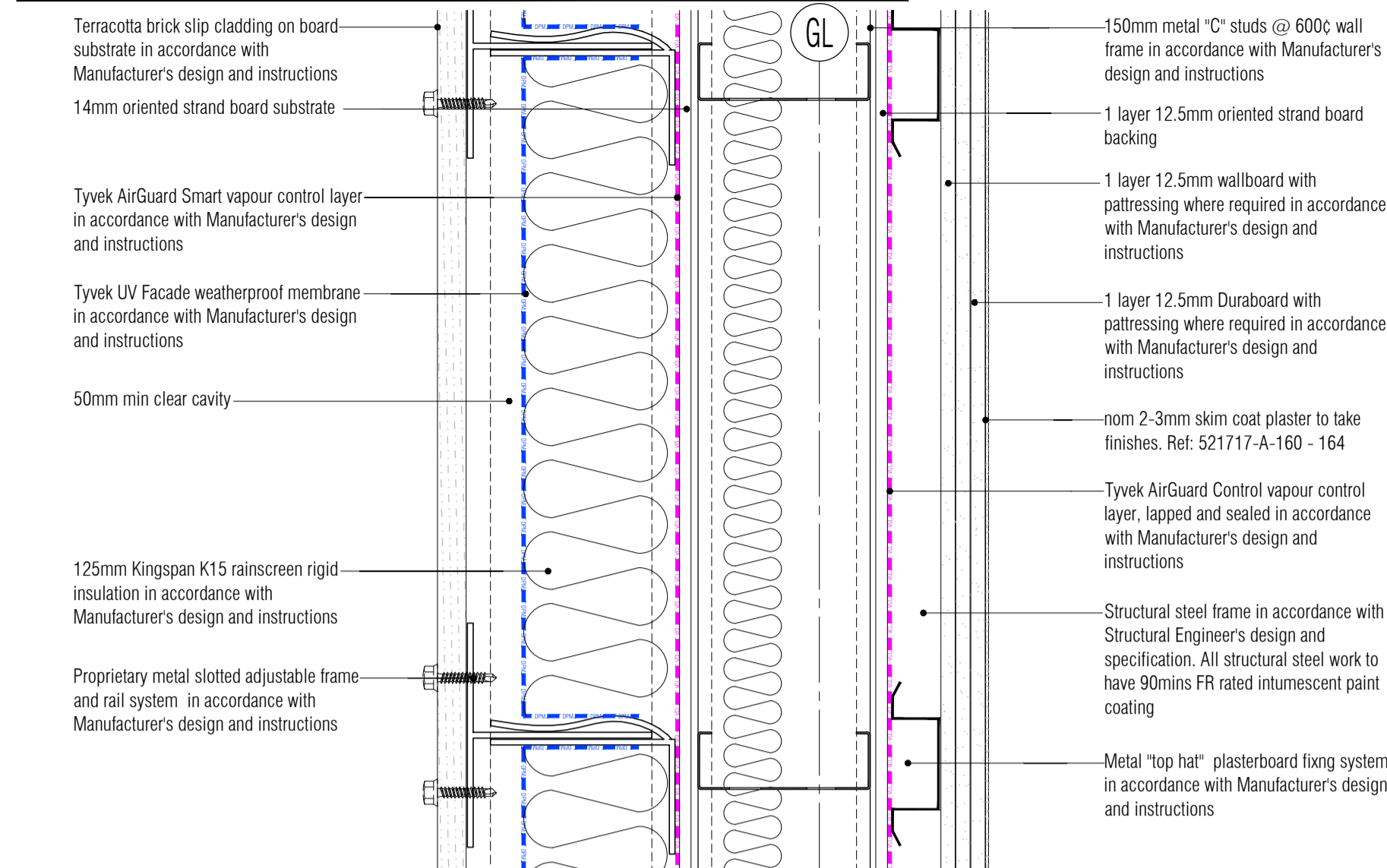
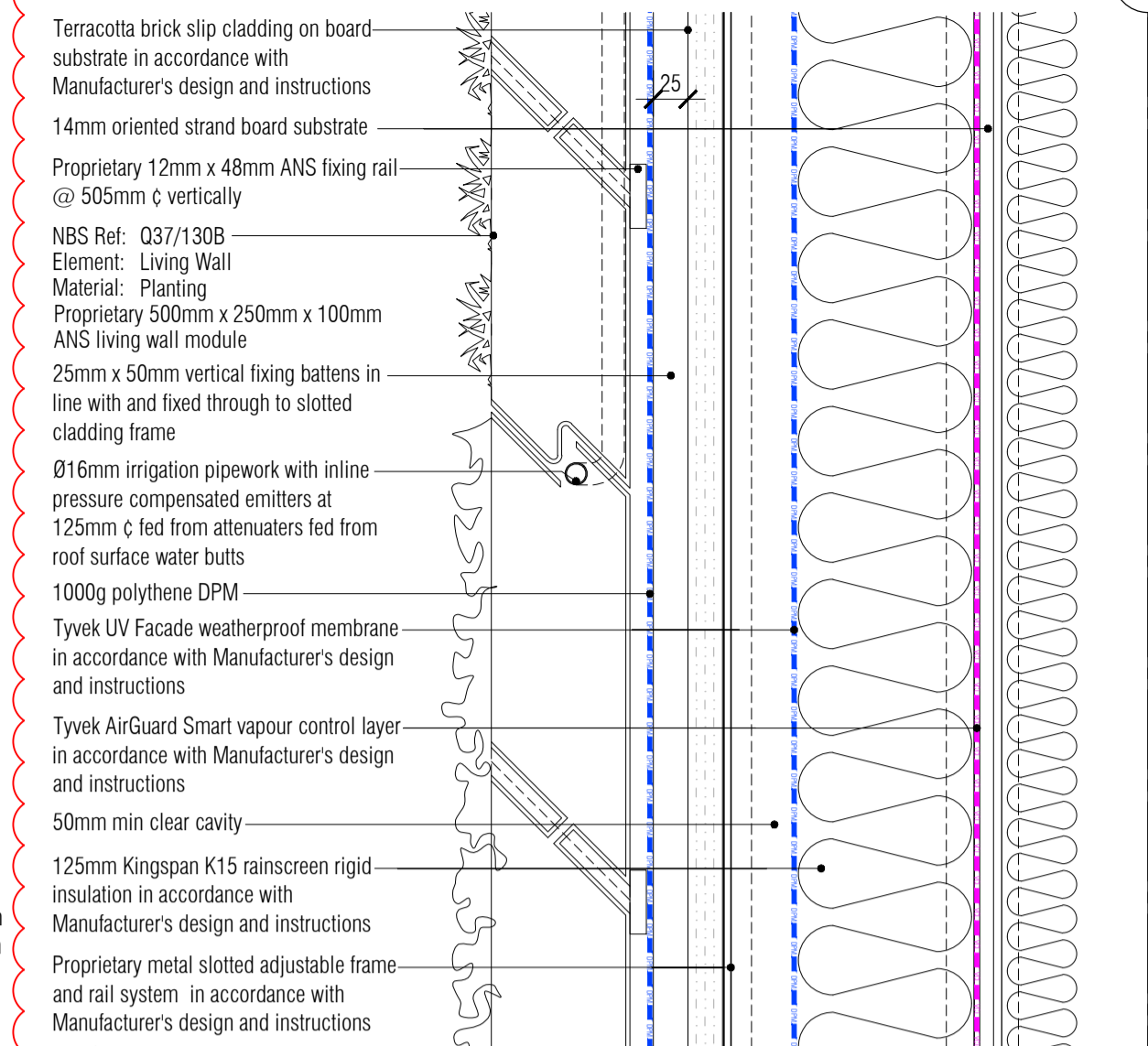


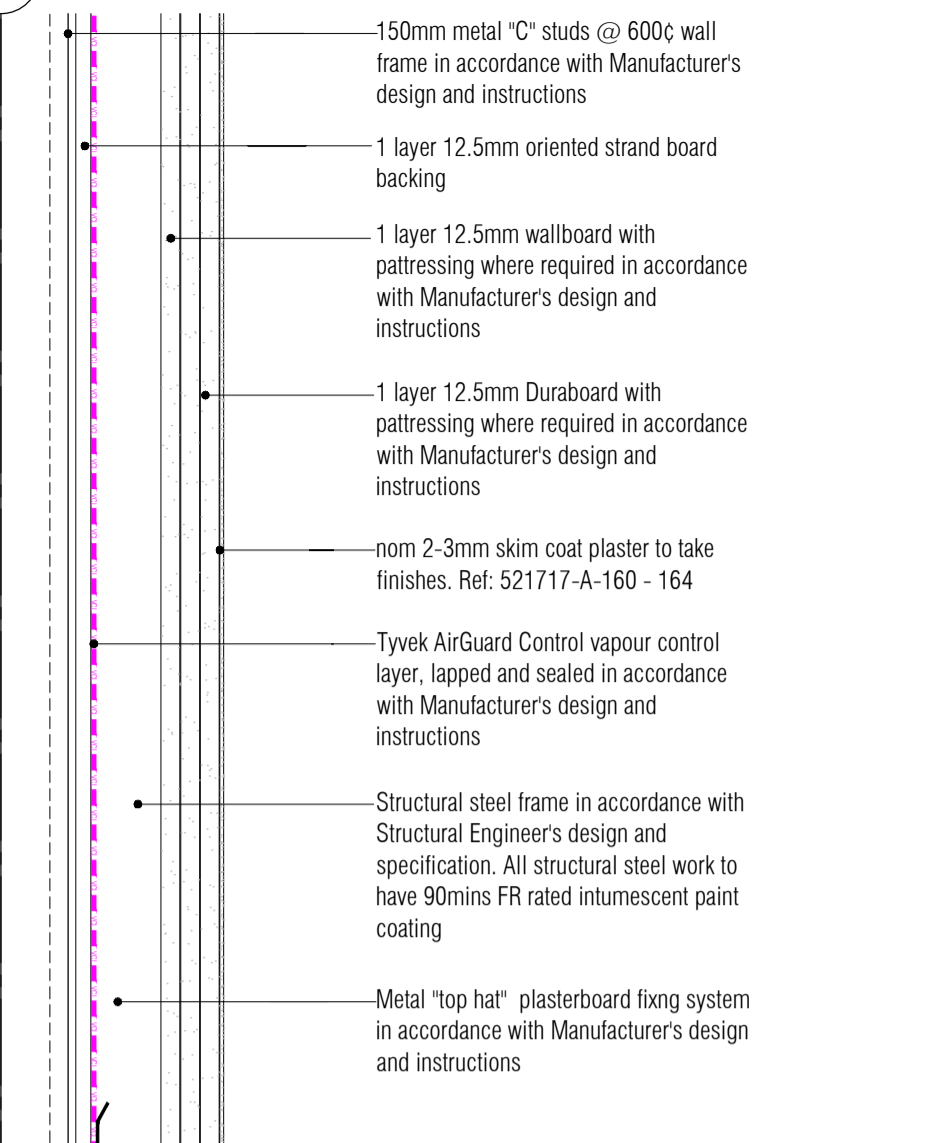
All partition information, details and specifications subject to confirmation by Drywall Contractor and are to be in accordance with Manufacturer's design and instructions. Architect to be notified immediately upon discovery of variation to the details shown.



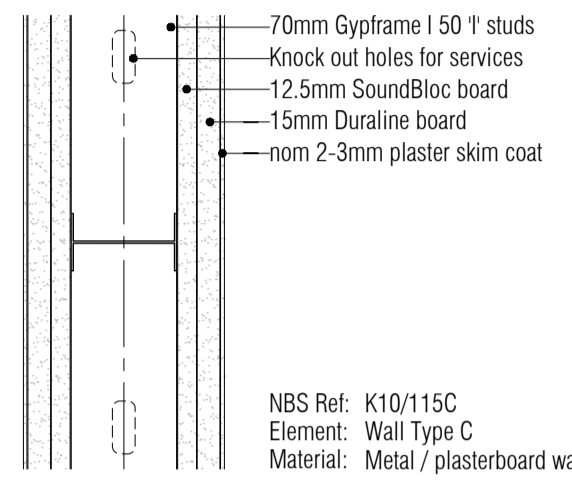
01 Wall Type W - Typical External Envelope Wall K10/115W
Scale: 1:5



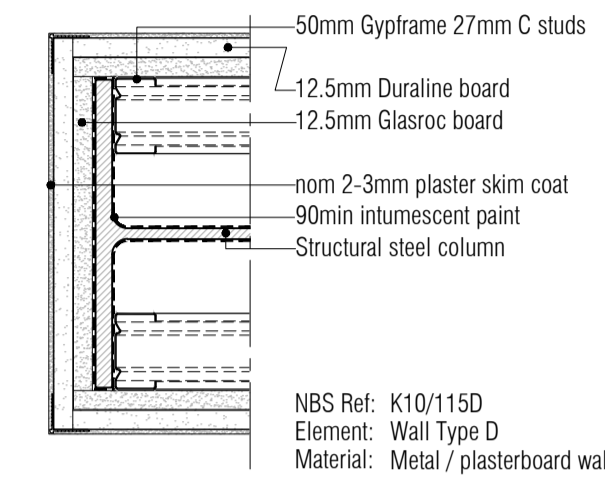
04 Wall Type Z - External Envelope Living Wall K10/115Z
Scale: 1:5



05 Wall Type A K10/115A
Scale: 1:5

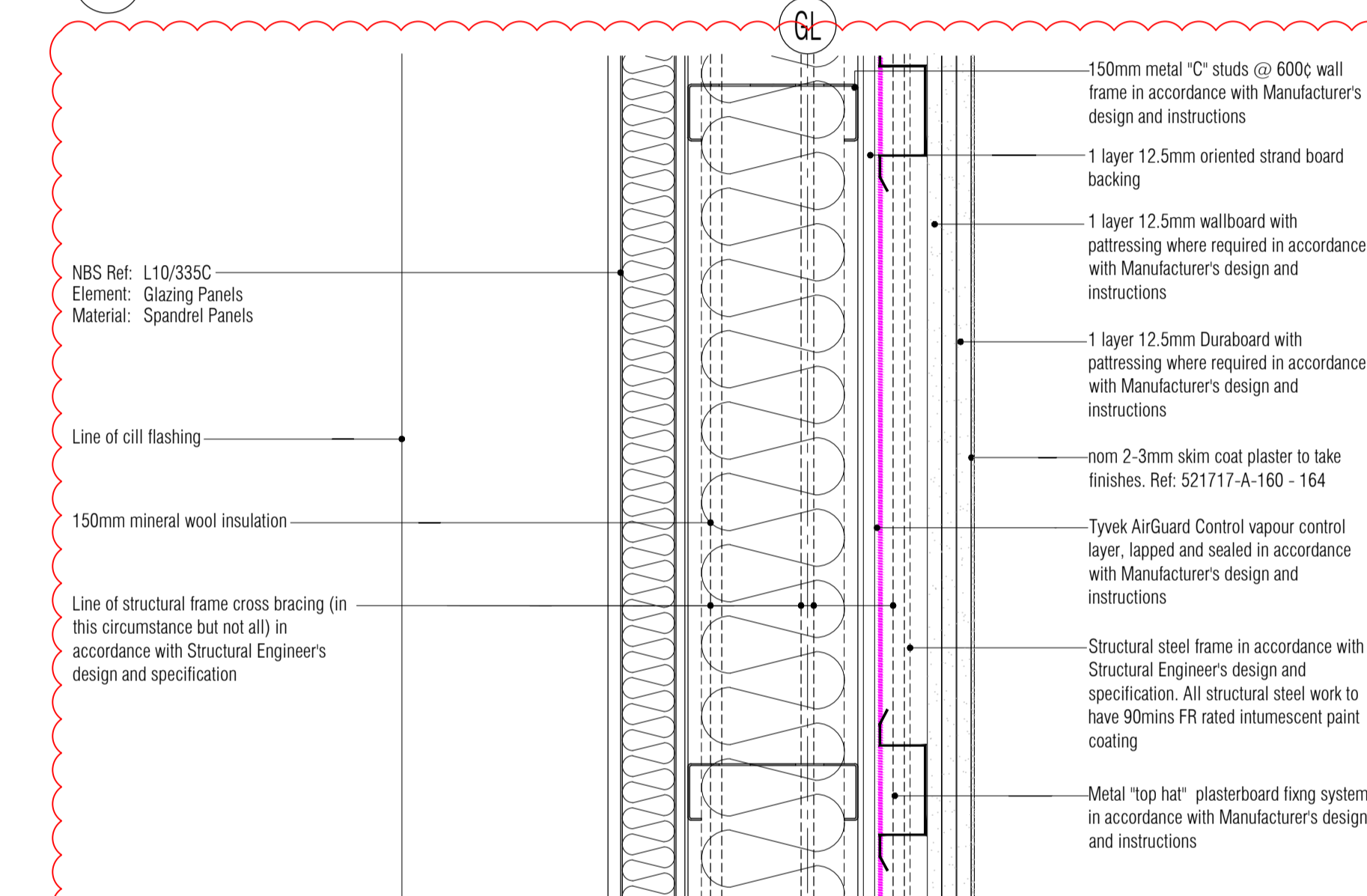
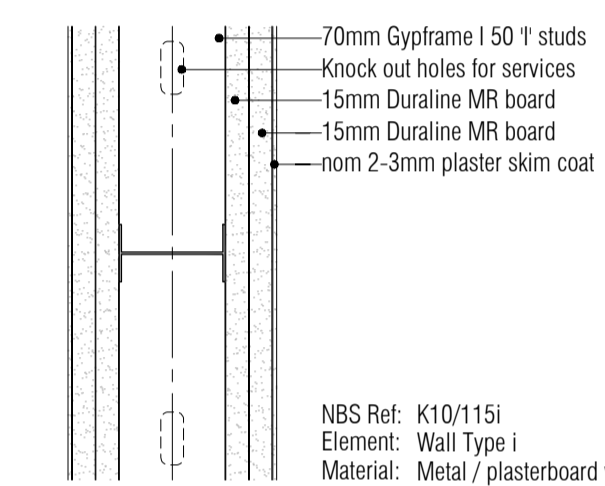


06 Wall Type B K10/115B
Scale: 1:5

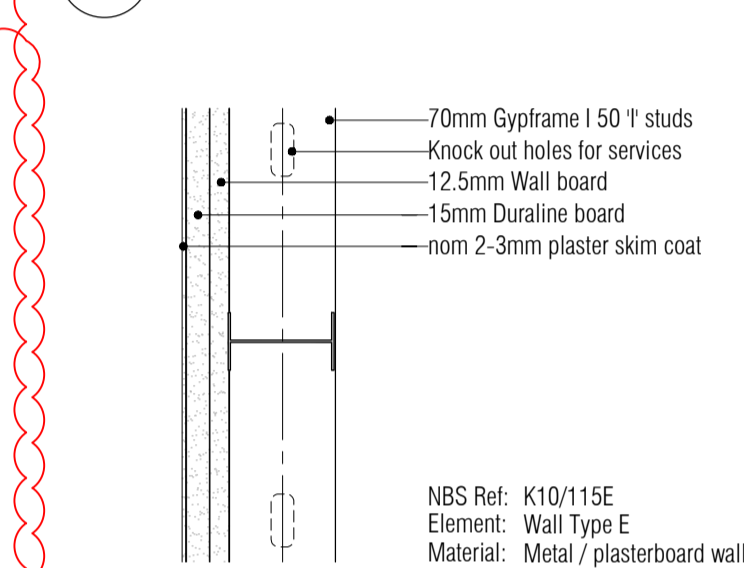


07 Wall Type C K10/115C
Scale: 1:5

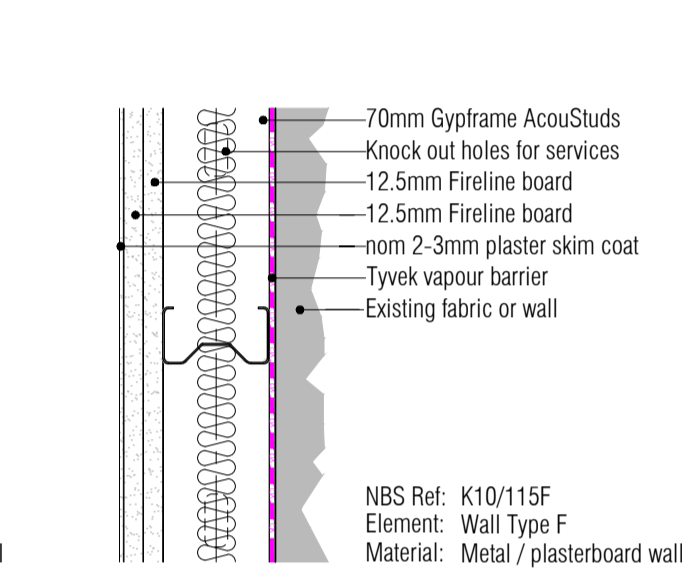
08 Wall Type D K10/115D
Scale: 1:5



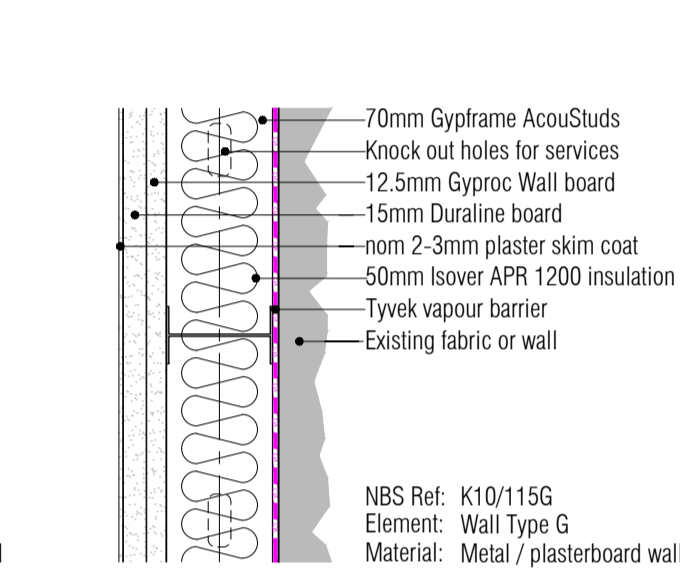
02 Wall Type X - Covered Spandrel Panel External Envelope Wall K10/115X
Scale: 1:5



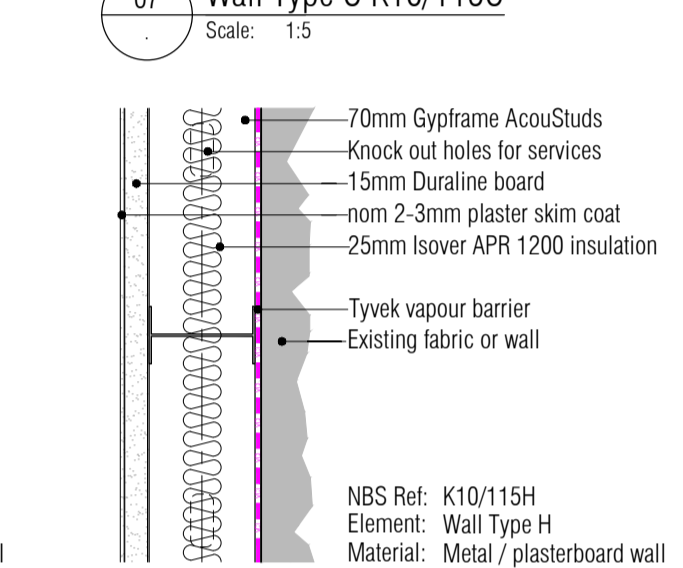
09 Wall Type E K10/115E
Scale: 1:5



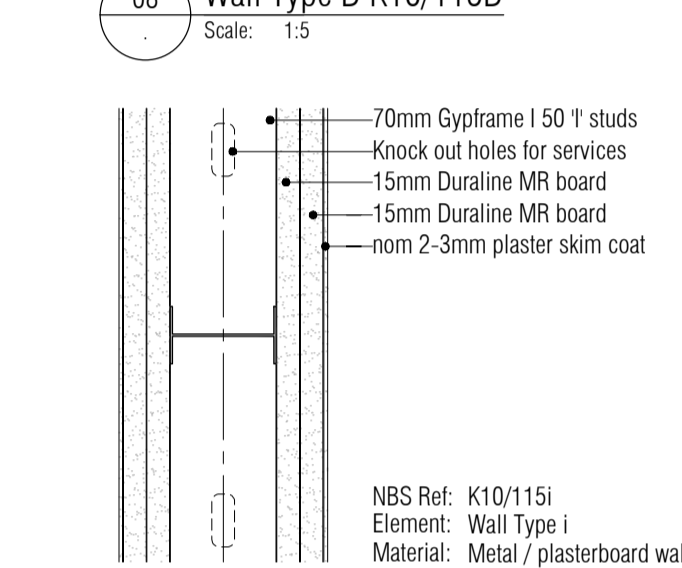
10 Wall Type F K10/115F
Scale: 1:5



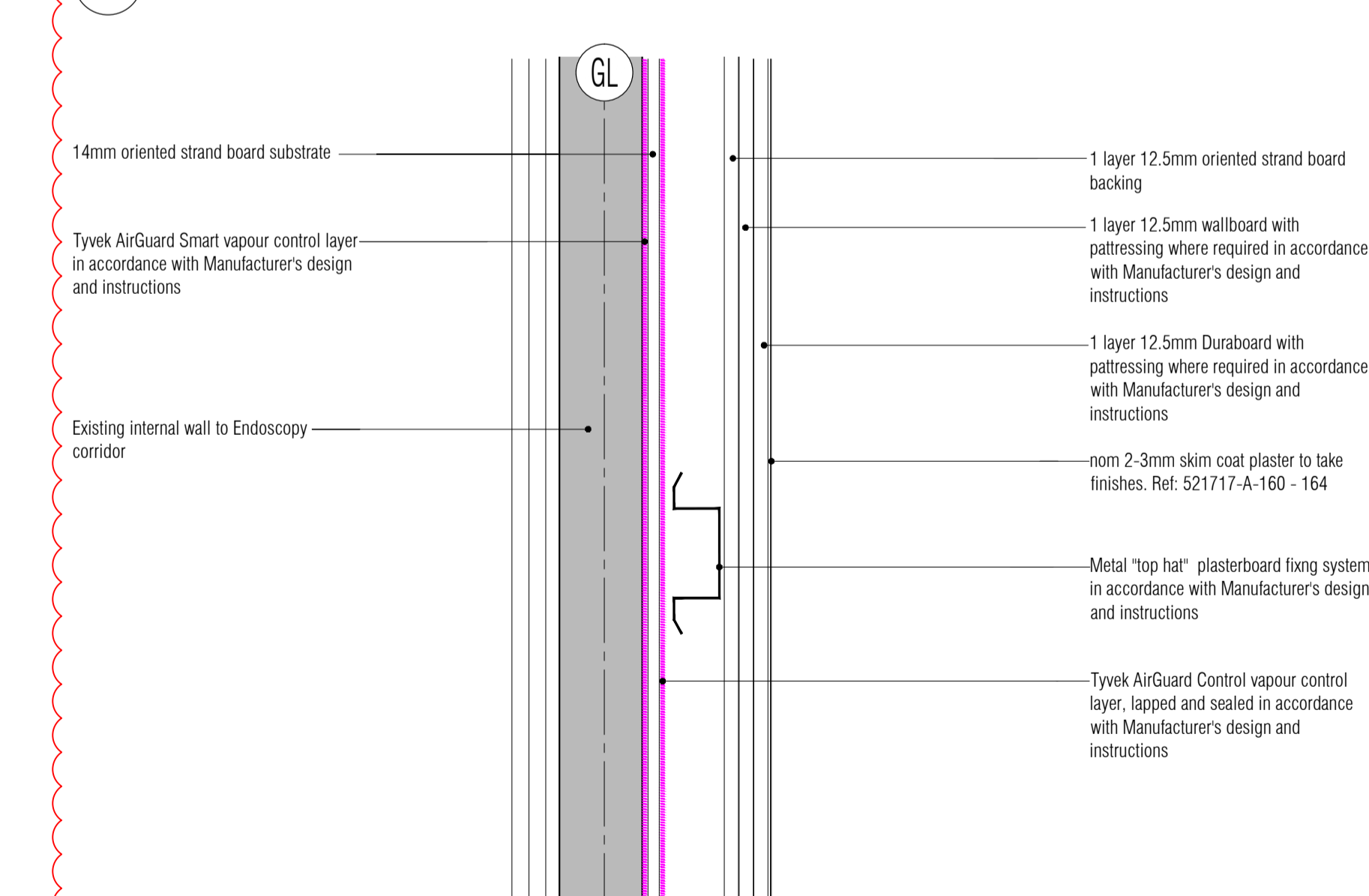
11 Wall Type G K10/115G
Scale: 1:5



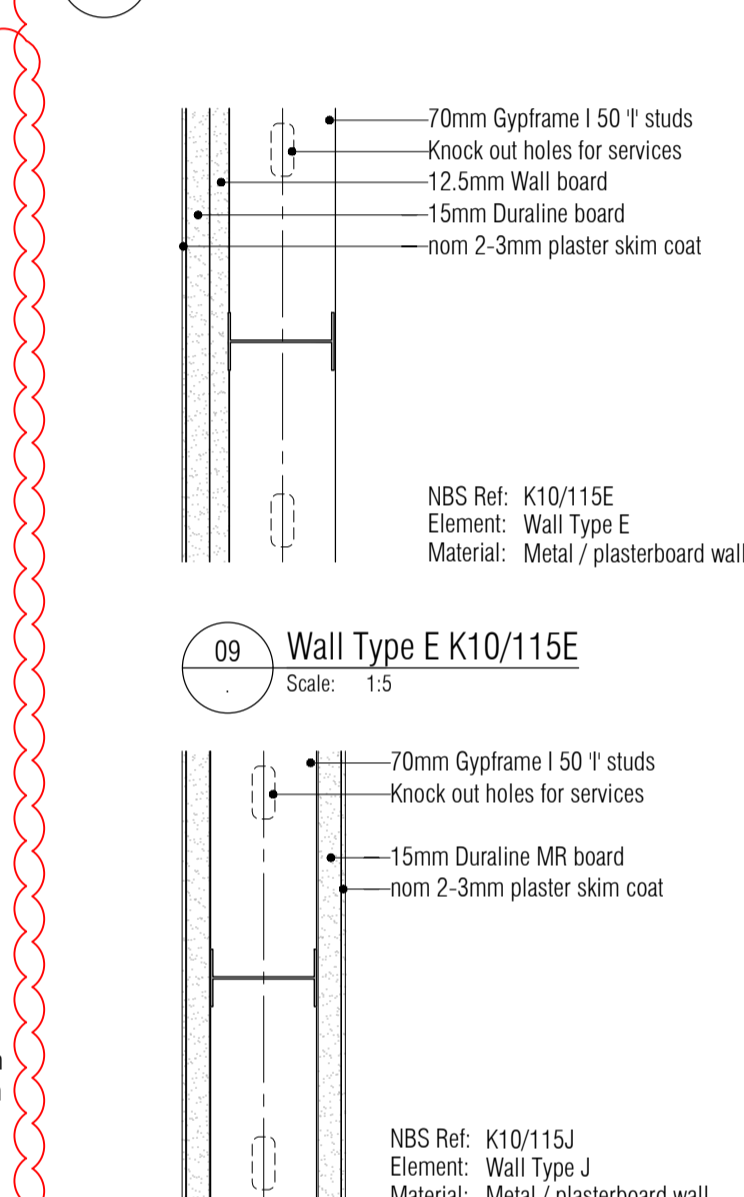
12 Wall Type H K10/115H
Scale: 1:5



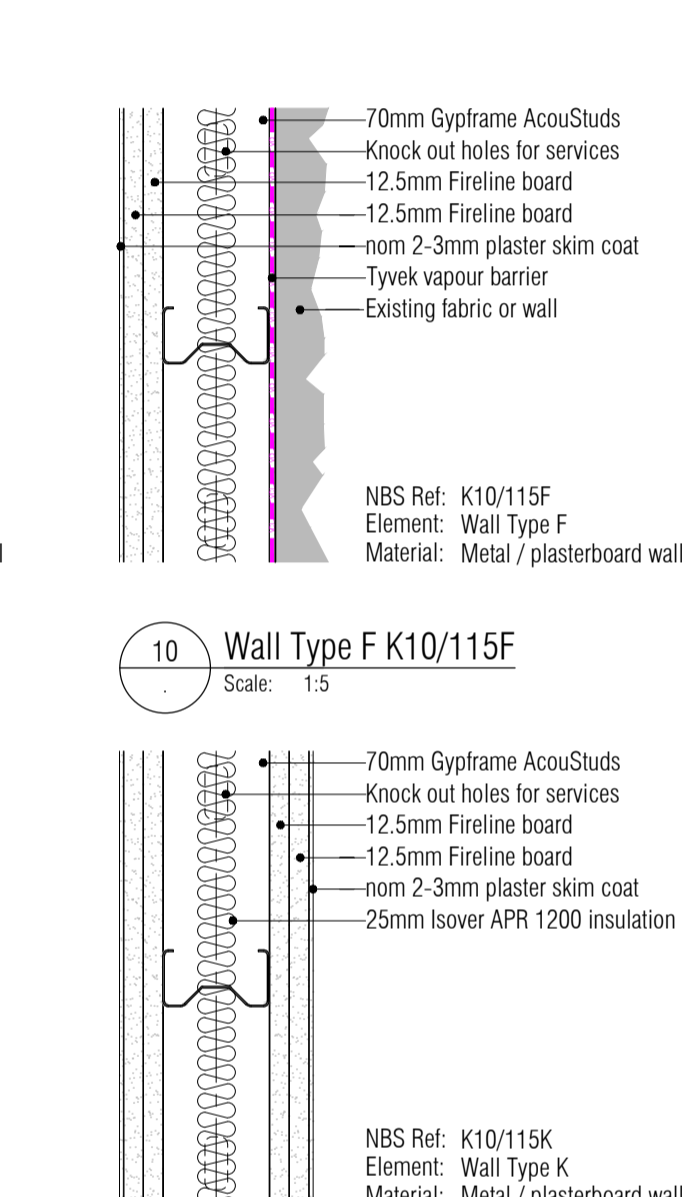
13 Wall Type i K10/115i
Scale: 1:5



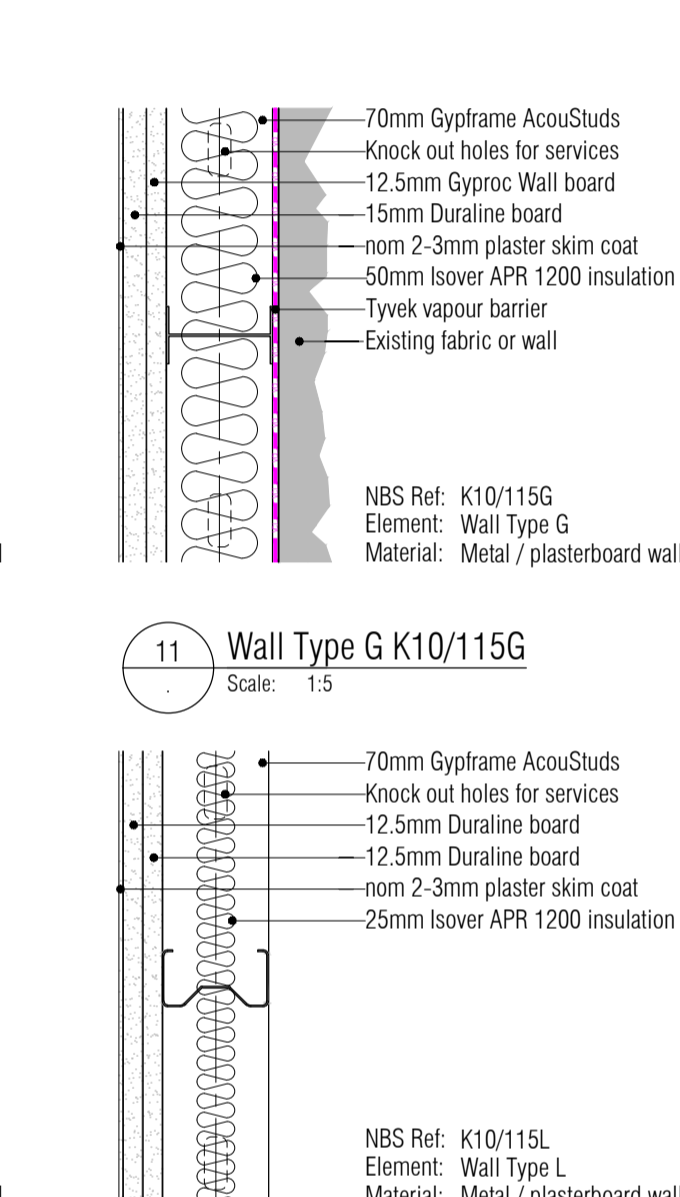
03 Wall Type Y - New Made Good External Envelope Wall to Endoscopy K10/115Y
Scale: 1:5



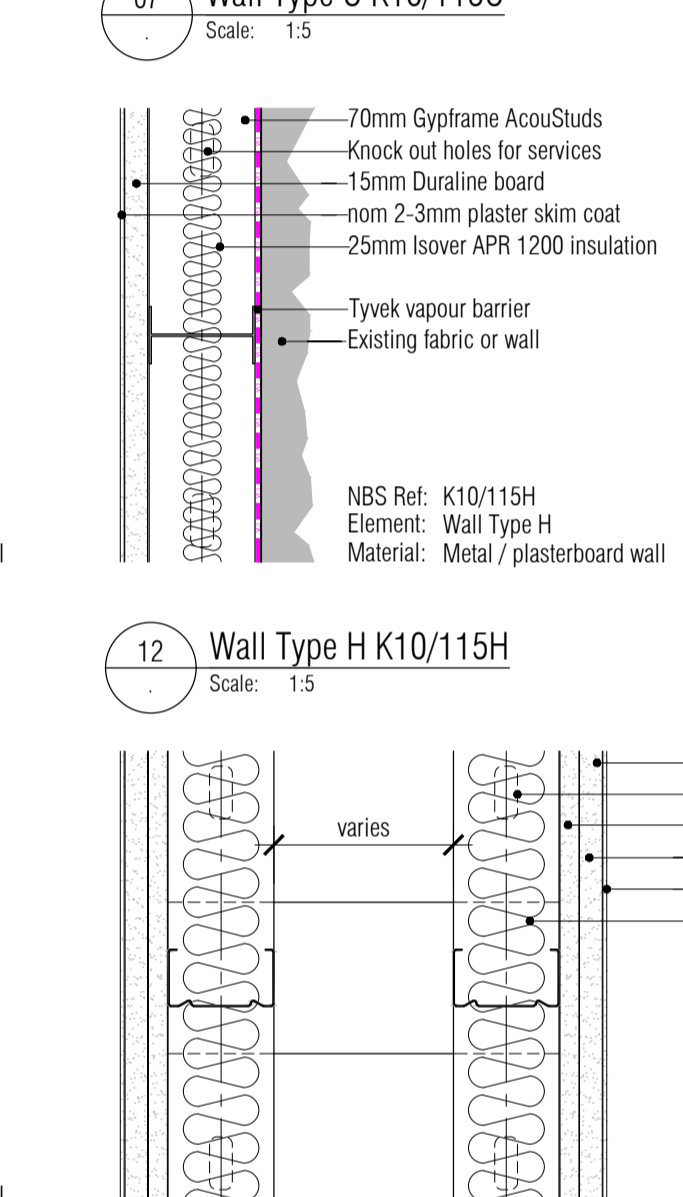
14 Wall Type J K10/115J
Scale: 1:5



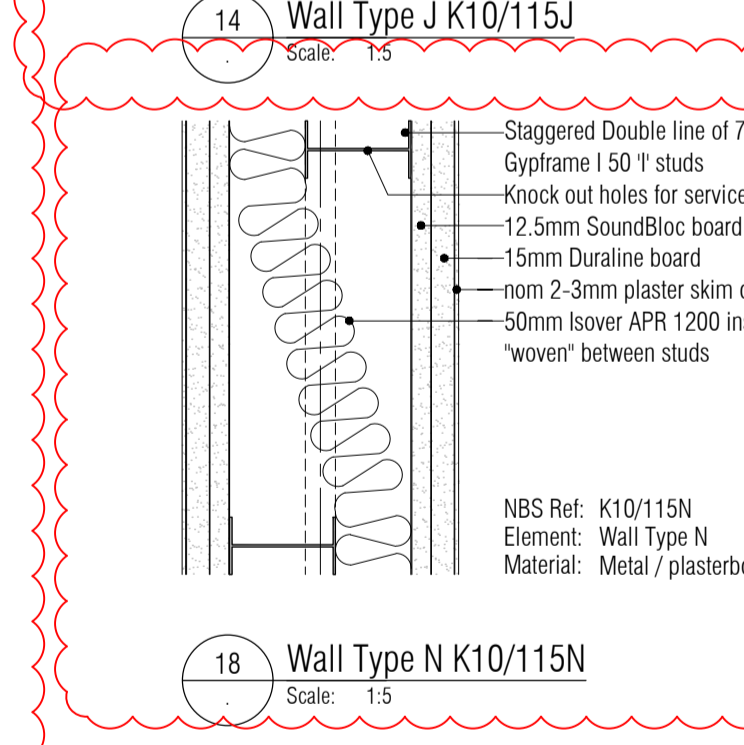
15 Wall Type K K10/115K
Scale: 1:5



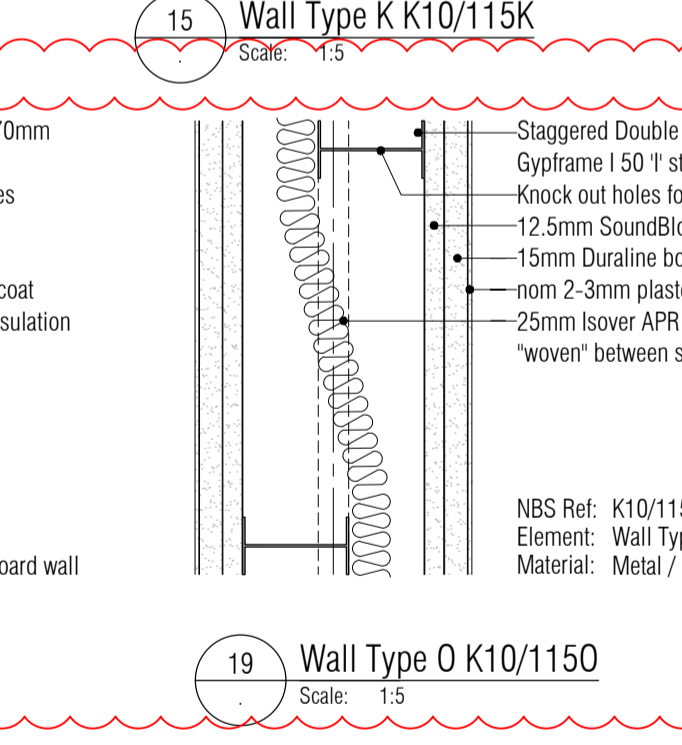
16 Wall Type L K10/115L
Scale: 1:5



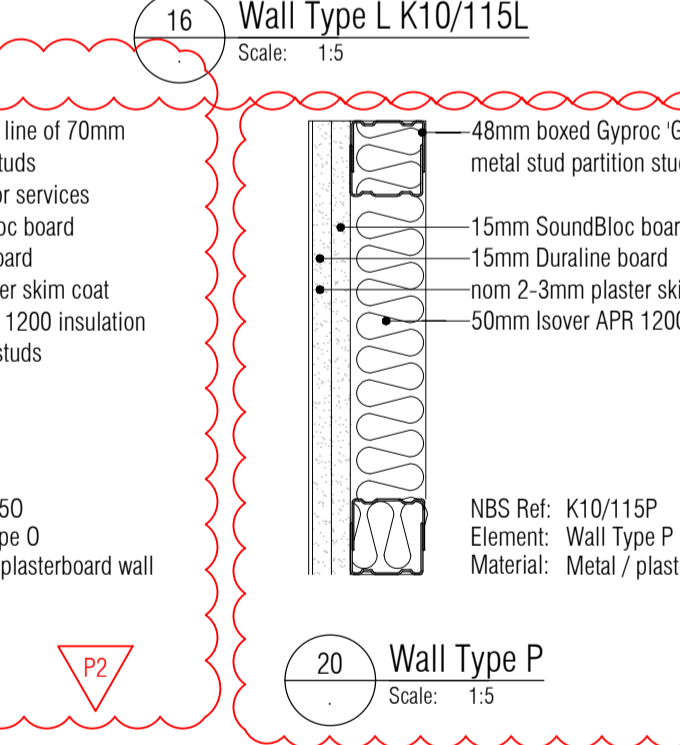
17 Wall Type M K10/115M
Scale: 1:5



18 Wall Type N K10/115N
Scale: 1:5

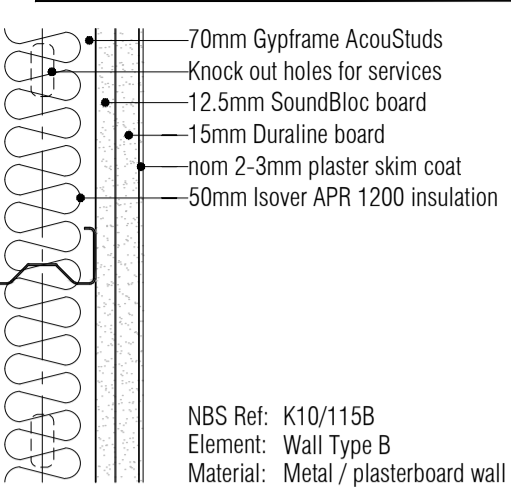


19 Wall Type O K10/115O
Scale: 1:5



20 Wall Type P K10/115P
Scale: 1:5

NB: All levels are approximate and are subject to further site investigation prior to construction. All discrepancies to be reported to FCG immediately.



NOTES: Do not scale this drawing. All dimensions to be checked on site prior to commencement or manufacture.
Key Plan (nts)

Partition Strategy Key
To be read in conjunction with
Wall Types dwgs 521717-A-530 - 535 and
Partition Strategy dwgs 521717-A-160 - 165 and
Partition Detail dwgs 521717-A-500 - 509

Internal Walls	WA	WB	WC	WD	WE	WF	WG	WH	WI	WJ	WK	WL	WM	WN	WO	WP
Wall Type A	WA	WB	WC	WD	WE	WF	WG	WH	WI	WJ	WK	WL	WM	WN	WO	WP
Wall Type B	WA	WB	WC	WD	WE	WF	WG	WH	WI	WJ	WK	WL	WM	WN	WO	WP
Wall Type C	WA	WB	WC	WD	WE	WF	WG	WH	WI	WJ	WK	WL	WM	WN	WO	WP
Wall Type D	WA	WB	WC	WD	WE	WF	WG	WH	WI	WJ	WK	WL	WM	WN	WO	WP
Wall Type E	WA	WB	WC	WD	WE	WF	WG	WH	WI	WJ	WK	WL	WM	WN	WO	WP
Wall Type F	WA	WB	WC	WD	WE	WF	WG	WH	WI	WJ	WK	WL	WM	WN	WO	WP
Wall Type G	WA	WB	WC	WD	WE	WF	WG	WH	WI	WJ	WK	WL	WM	WN	WO	WP
Wall Type H	WA	WB	WC	WD	WE	WF	WG	WH	WI	WJ	WK	WL	WM	WN	WO	WP
Wall Type I	WA	WB	WC	WD	WE	WF	WG	WH	WI	WJ	WK	WL	WM	WN	WO	WP
Wall Type J	WA	WB	WC	WD	WE	WF	WG	WH	WI	WJ	WK	WL	WM	WN	WO	WP
Wall Type K	WA	WB	WC	WD	WE	WF	WG	WH	WI	WJ	WK	WL	WM	WN	WO	WP
Wall Type L	WA	WB	WC	WD	WE	WF	WG	WH	WI	WJ	WK	WL	WM	WN	WO	WP
Wall Type M	WA	WB	WC	WD	WE	WF	WG	WH	WI	WJ	WK	WL	WM	WN	WO	WP
Wall Type N	WA	WB	WC	WD	WE	WF	WG	WH	WI	WJ	WK	WL	WM	WN	WO	WP
Wall Type O	WA	WB	WC	WD	WE	WF	WG	WH	WI	WJ	WK	WL	WM	WN	WO	WP
Wall Type P	WA	WB	WC	WD	WE	WF	WG	WH	WI	WJ	WK	WL	WM	WN	WO	WP

External Walls	WW	WX	WY	WZ
Wall Type W	WW	WX	WY	WZ
Wall Type X	WW	WX	WY	WZ
Wall Type Y	WW	WX	WY	WZ
Wall Type Z	WW	WX	WY	WZ

PRELIMINARY ISSUE

Rev	Date	By	Chk	Comment
P2	15.06.20	JM	AGC	Gen revs
P1	21.01.14	JM	AGC	Preliminary Issue for Information

BRINGING IDEAS TO LIFE

FRANKHAM

Frankham Consultancy Group Limited
21 Perryman Road
Haywards Heath RH16 3TP
t 01444 444000 f 01444 455642
enquire@frankham.com
www.frankham.com

Client: **St George's Healthcare NHS Trust**

Project Title: General Intensive Care Unit Extension
St. James Wing
St. Georges Hospital
London

Drawing Title: Proposed Wall Types and Partition Strategy Legend Key

Drawn by: RKC	Scale: 1:5@A1	Date: 03.10.13
Designed by: FCG	Checked by: MDK	Approved by: AGC

File Ref.: 521717-A-530-045 - 046/050003 20.06.15:15:31.05

Drawing No: 521717-A-530 Rev: P2

NB: These and all details that indicate an interface to or with any and all existing structure and or fabric are subject to change pending further on-site investigation and exploration and or breaking out on-site at commencement of works on site. FCG repudiate any liability as a result of works commenced or completed prior to said investigations without prior agreement.

NB: All information based on supplied third party survey information. All discrepancies to be reported to FCG immediately upon discovery.