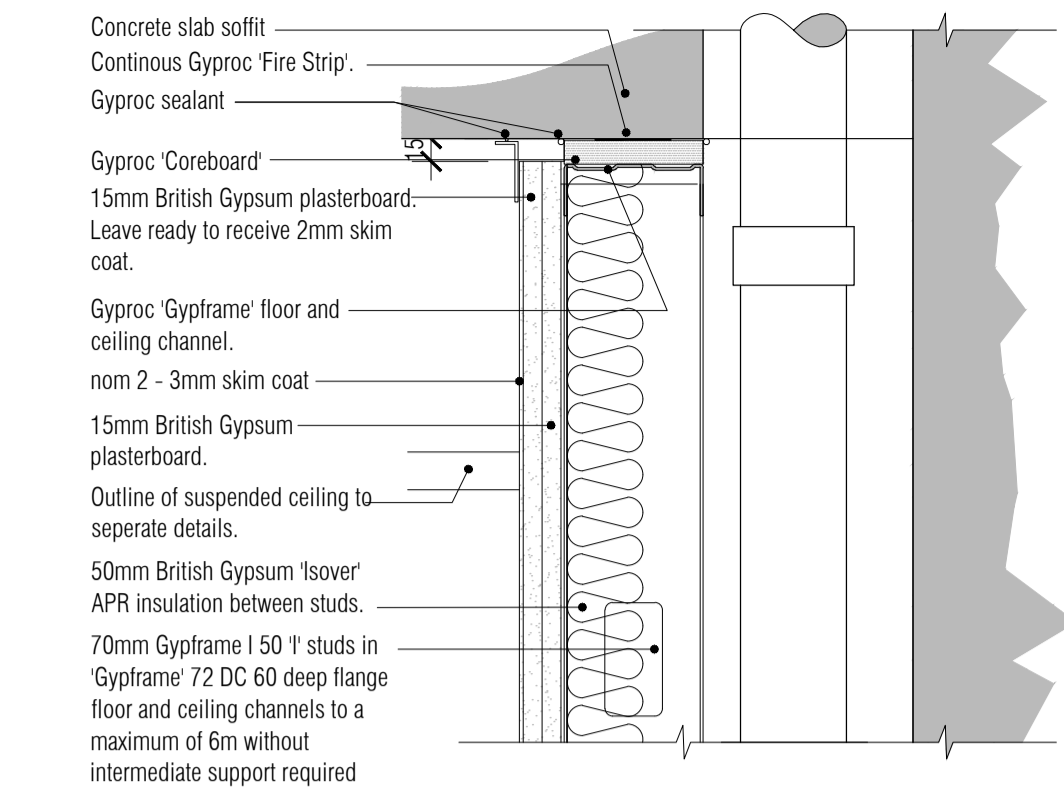
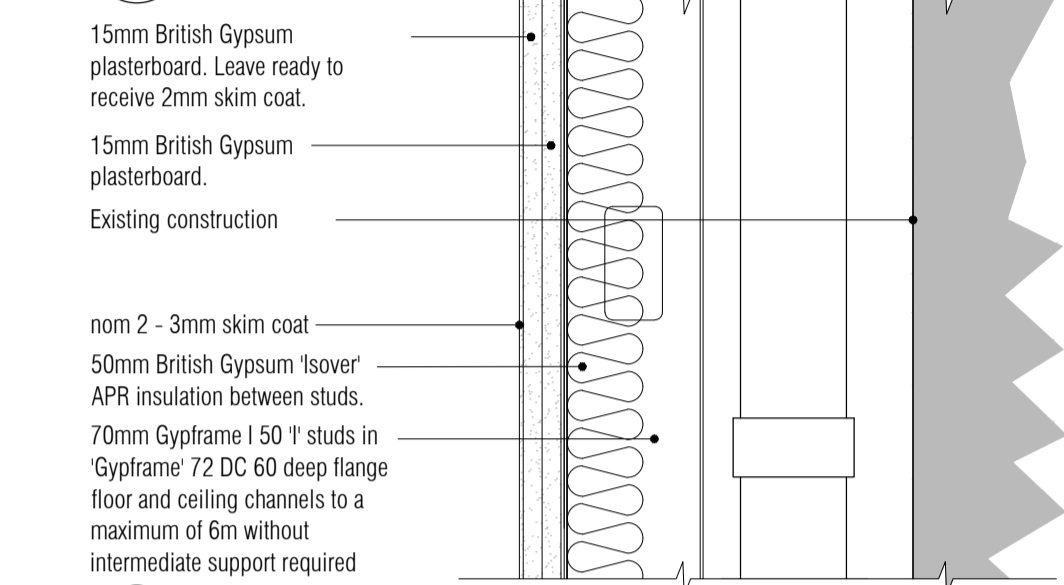


All partition information, details and specifications subject to confirmation by Drywall Contractor and are to be in accordance with Manufacturer's design and instructions. Architect to be notified immediately upon discovery of variation to the details shown.

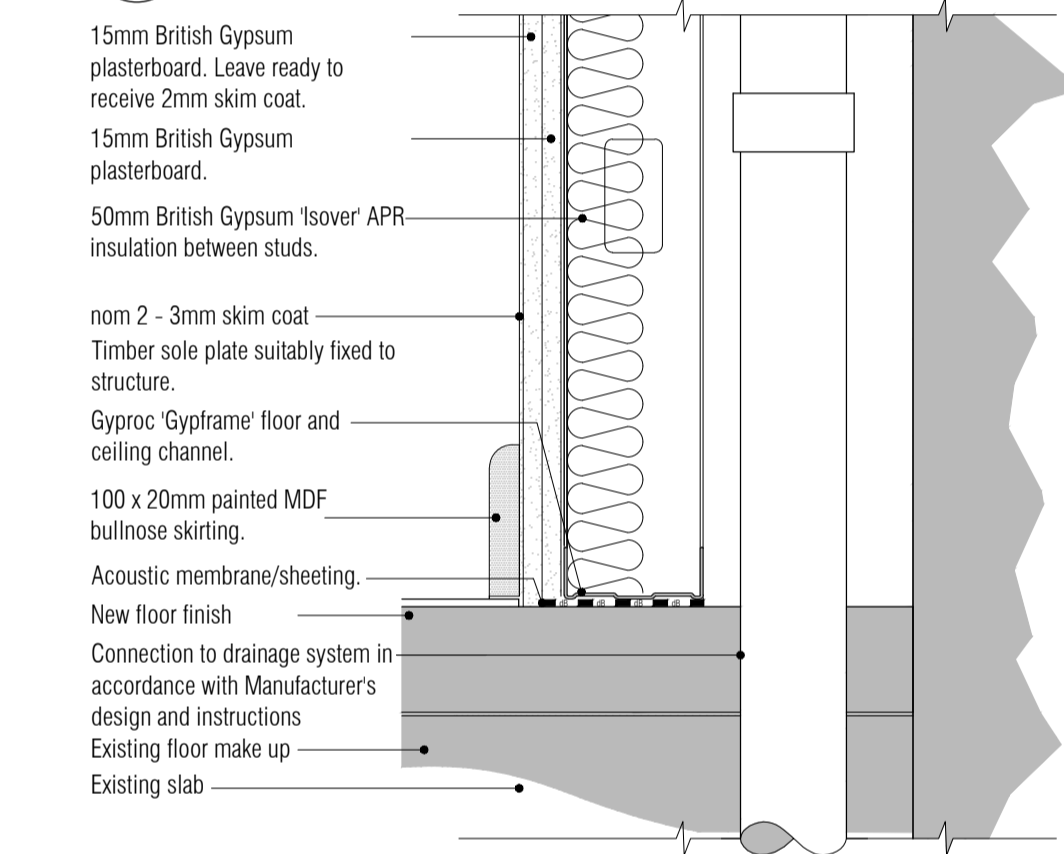
NB: All levels are approximate and are subject to further site investigation prior to construction. All discrepancies to be reported to FCG immediately.



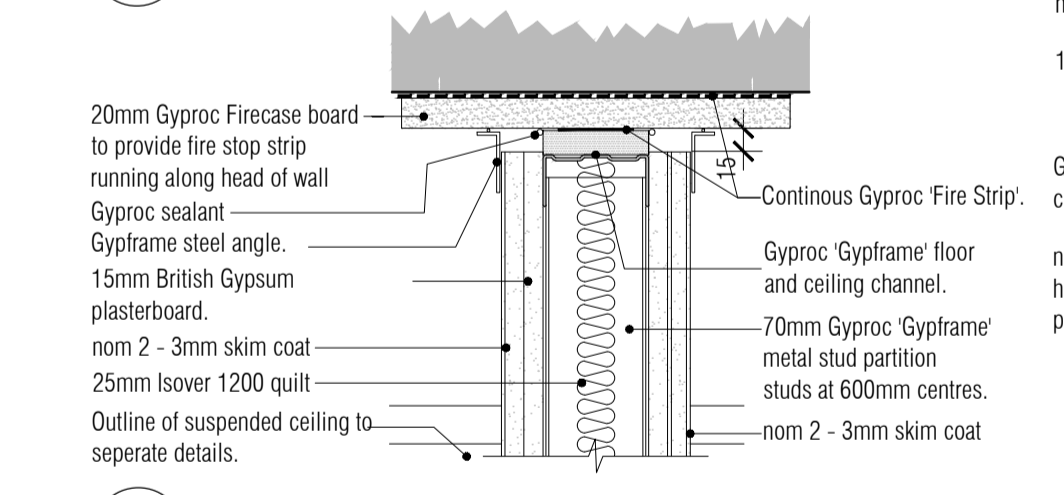
**01 Typical Vertical Section thro' SVP Boxing (Head Section)**  
Scale: 1:5



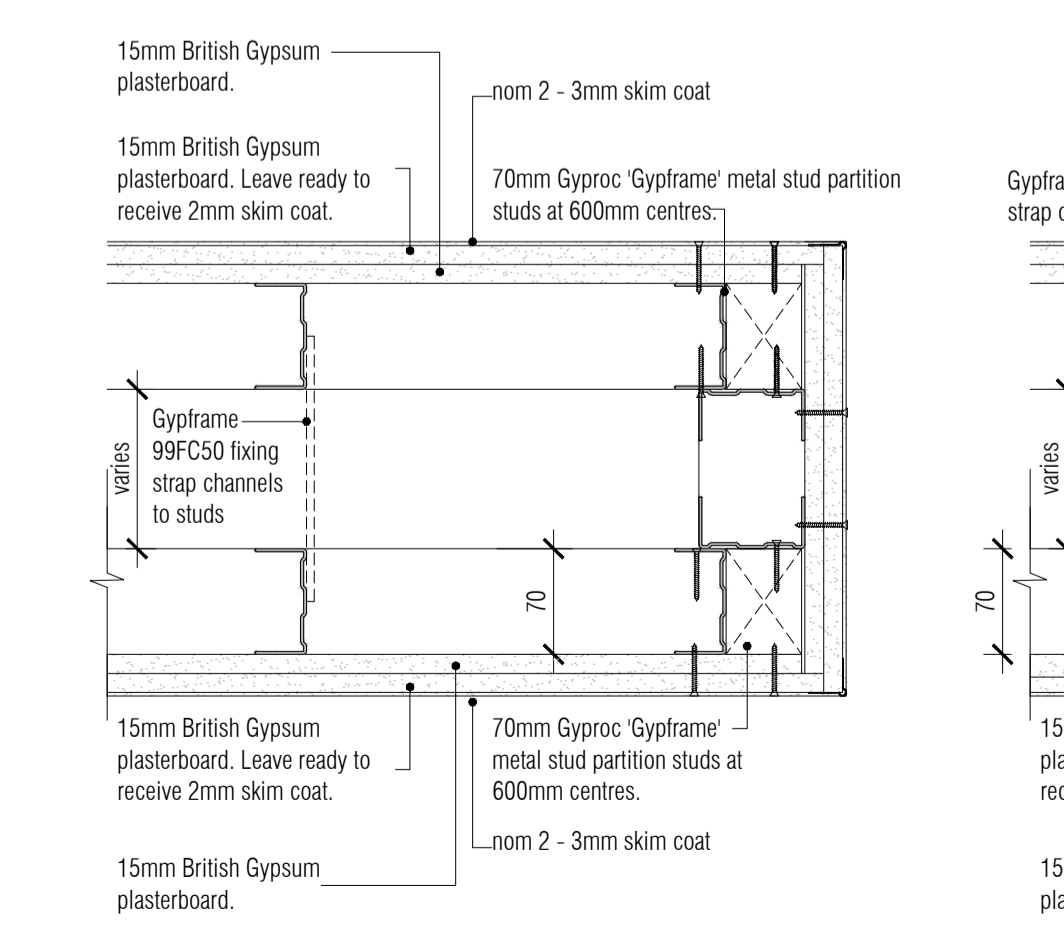
**02 Typical Vertical Section thro' SVP Boxing (Mid Section)**  
Scale: 1:5



**03 Typical Vertical Section thro' SVP Boxing (Base Section)**  
Scale: 1:5

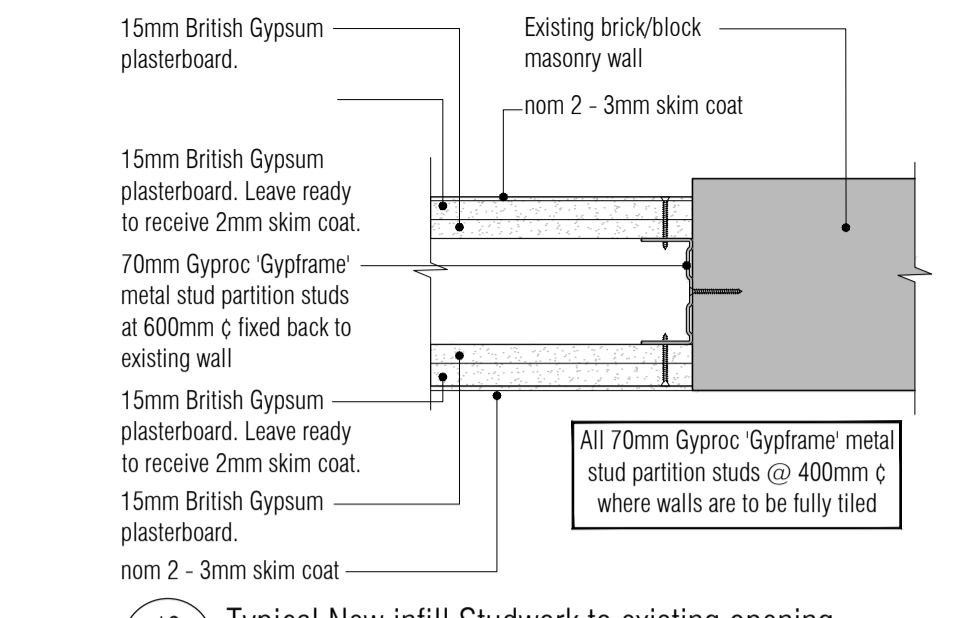


**04 Head Fixing with 25mm insulation**  
Scale: 1:5

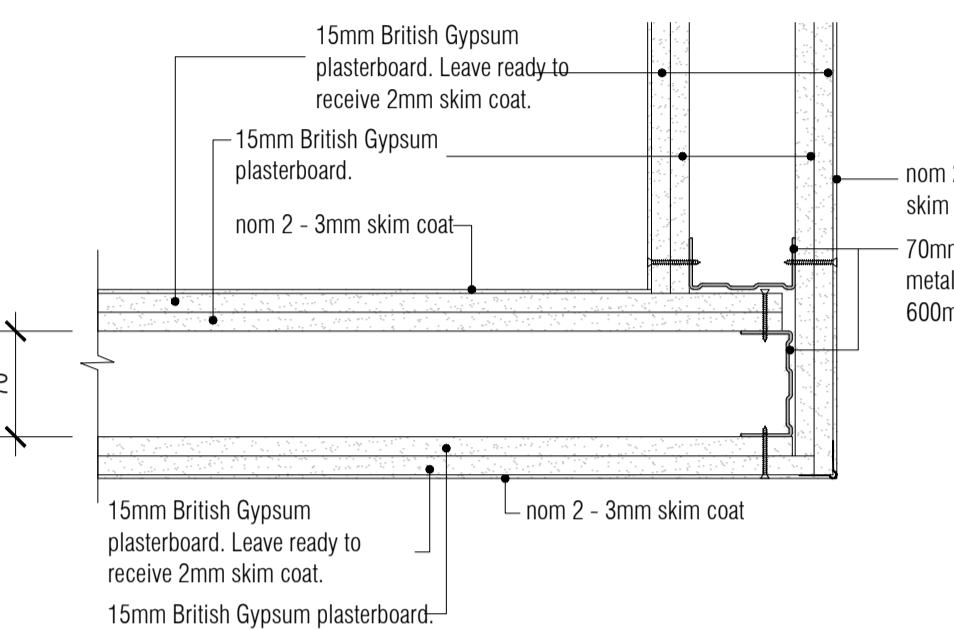


**05 Typical Double Stud Wall with Open Ends Plan Detail.**  
Scale: 1:5

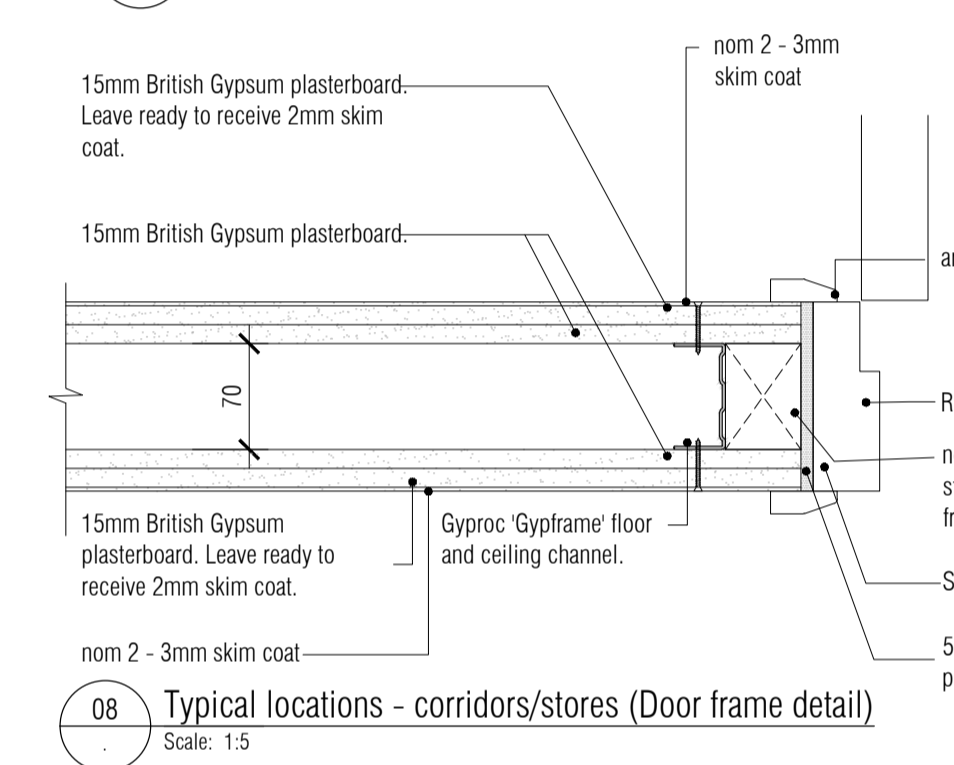
NB: All information based on supplied third party survey information. All discrepancies to be reported to FCG immediately upon discovery.



**10 Typical New infill Studwork to existing opening**  
Scale: 1:5

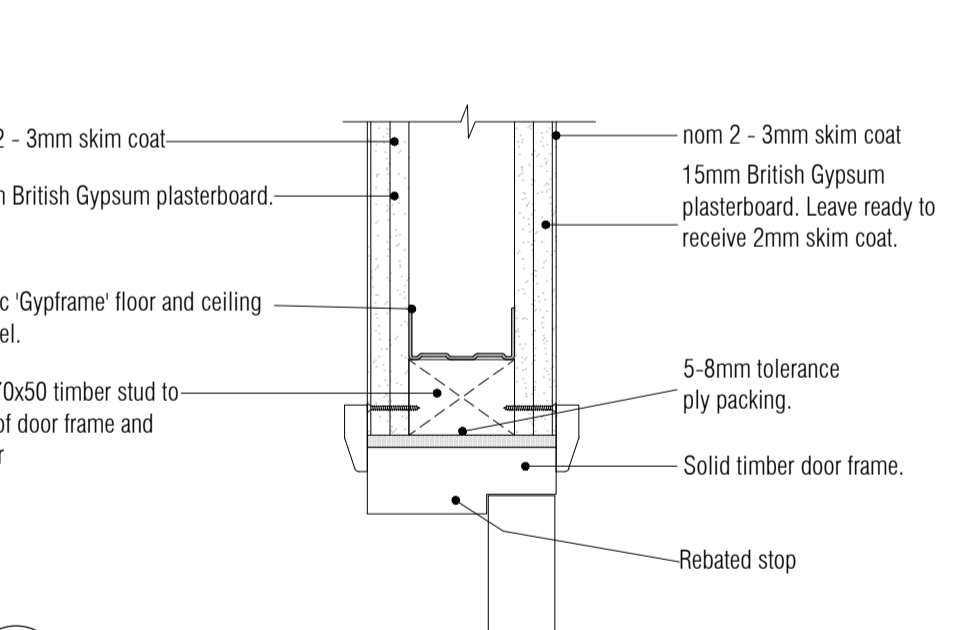


**09 Typical corner detail.**  
Scale: 1:5

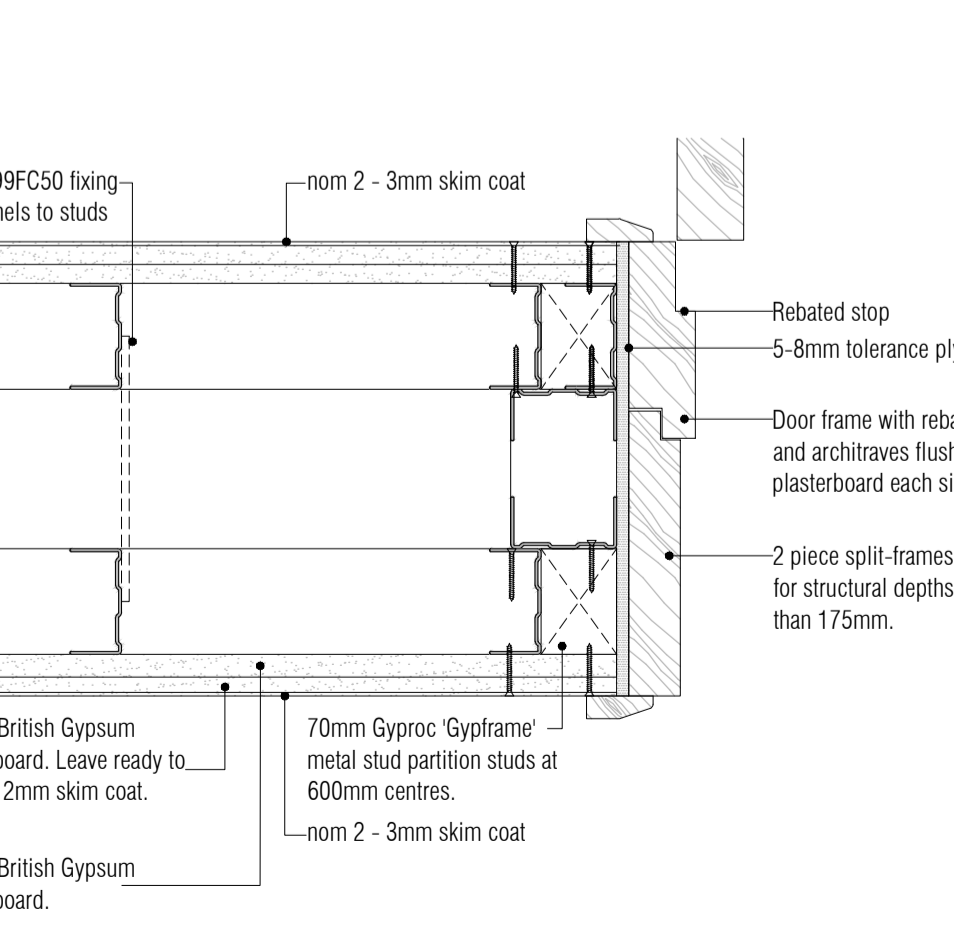


**08 Typical locations - corridors/stores (Door frame detail)**  
Scale: 1:5

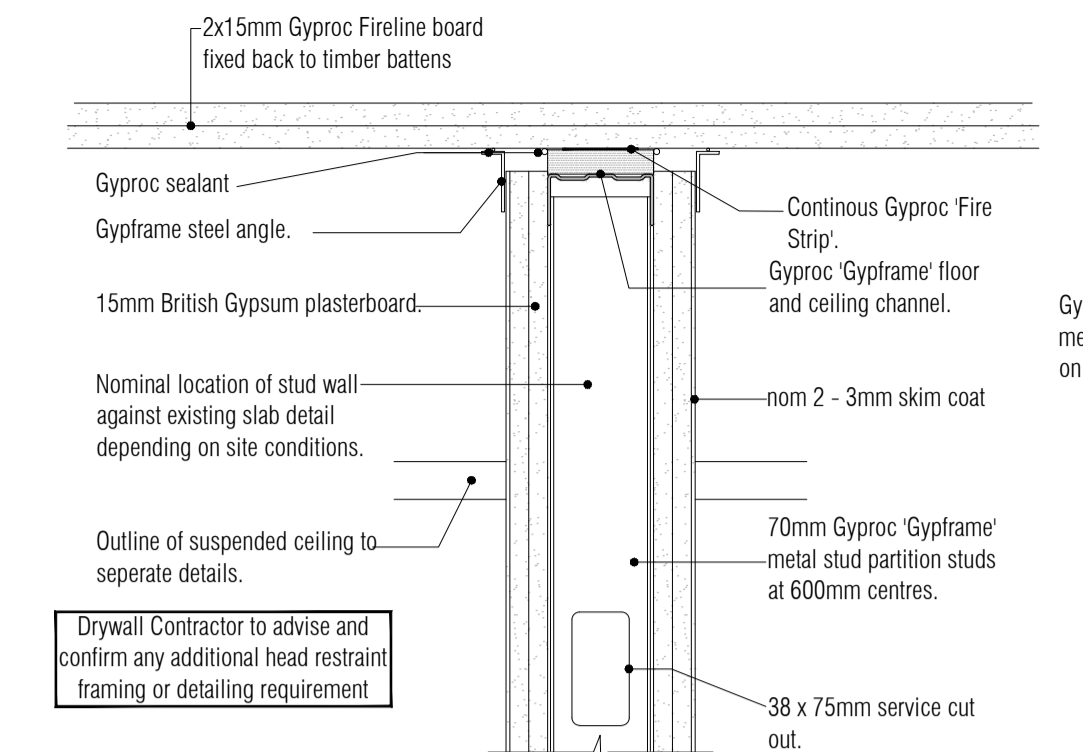
All details shown typical and may vary depending on wall type, make up, situation, interface or circumstance.



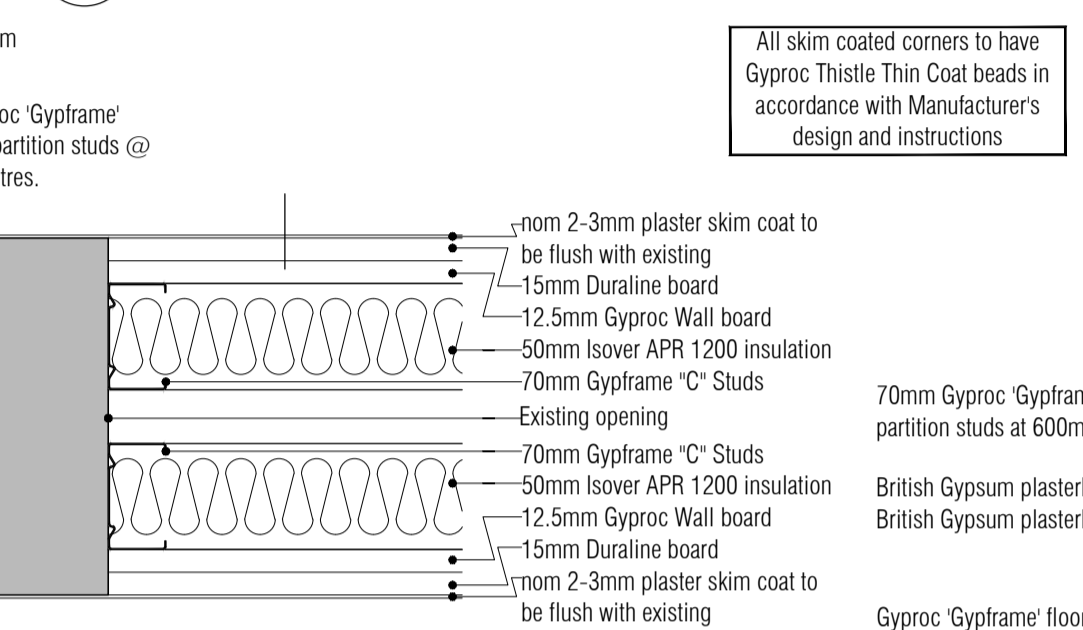
**07 Typical door head detail.**  
Scale: 1:5



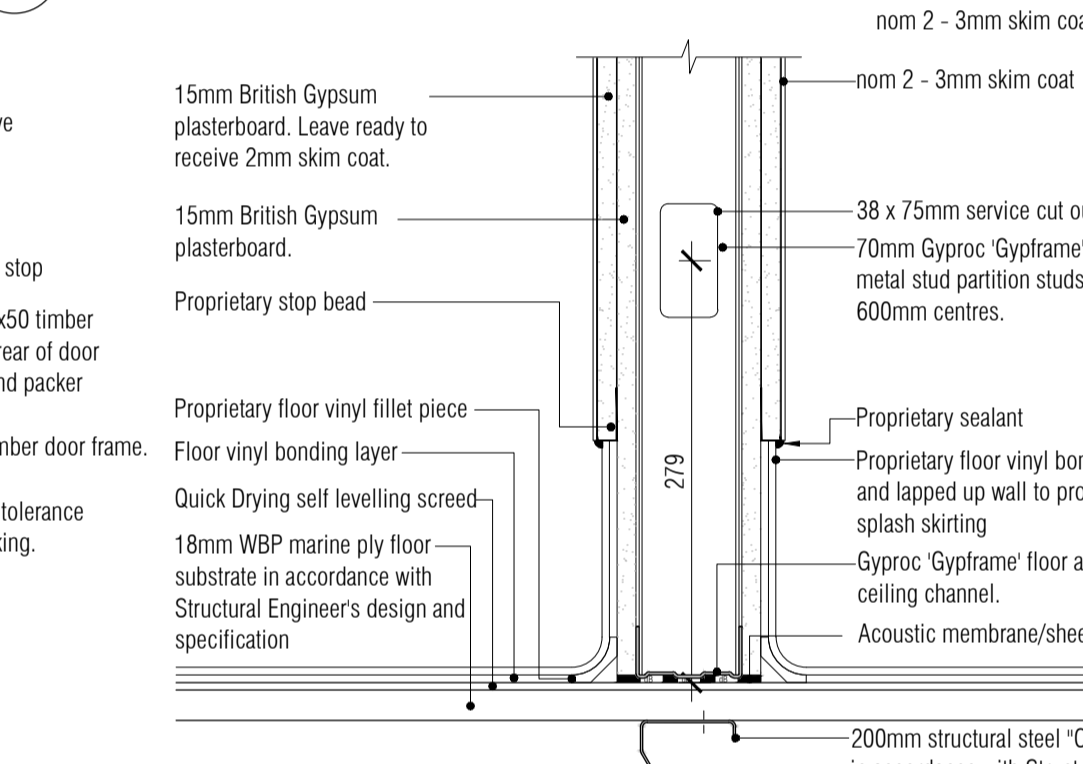
**06 Typical Double Stud Wall Door Jamb Detail.**  
Scale: 1:5



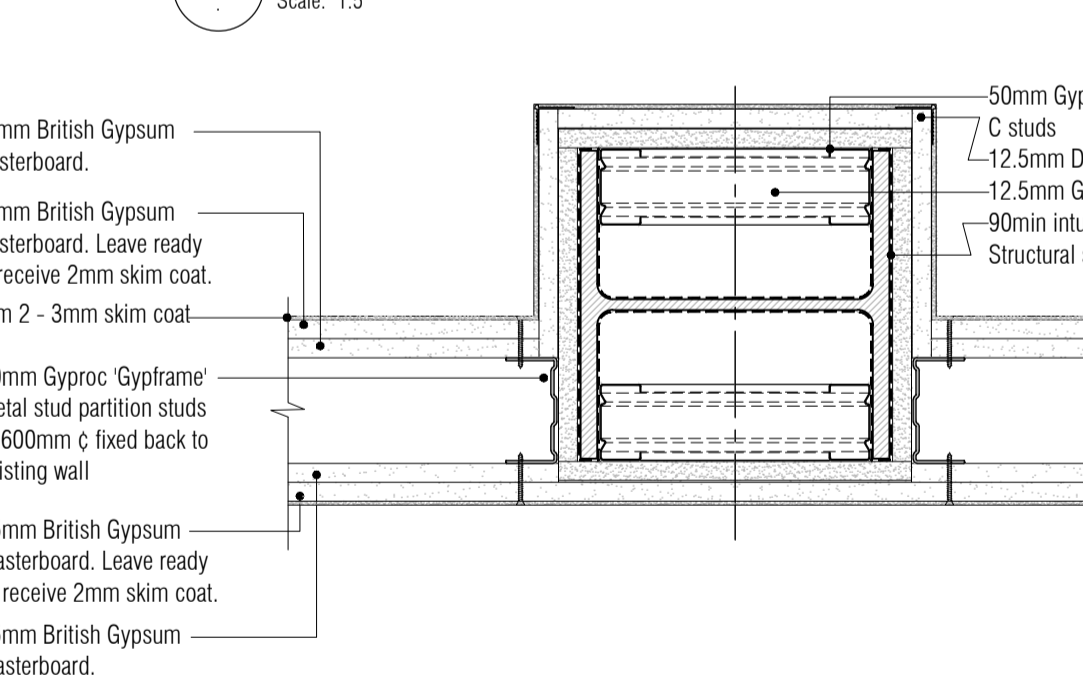
**11 Typical Head to Plasterboard Ceiling Interface Detail**  
Scale: 1:5



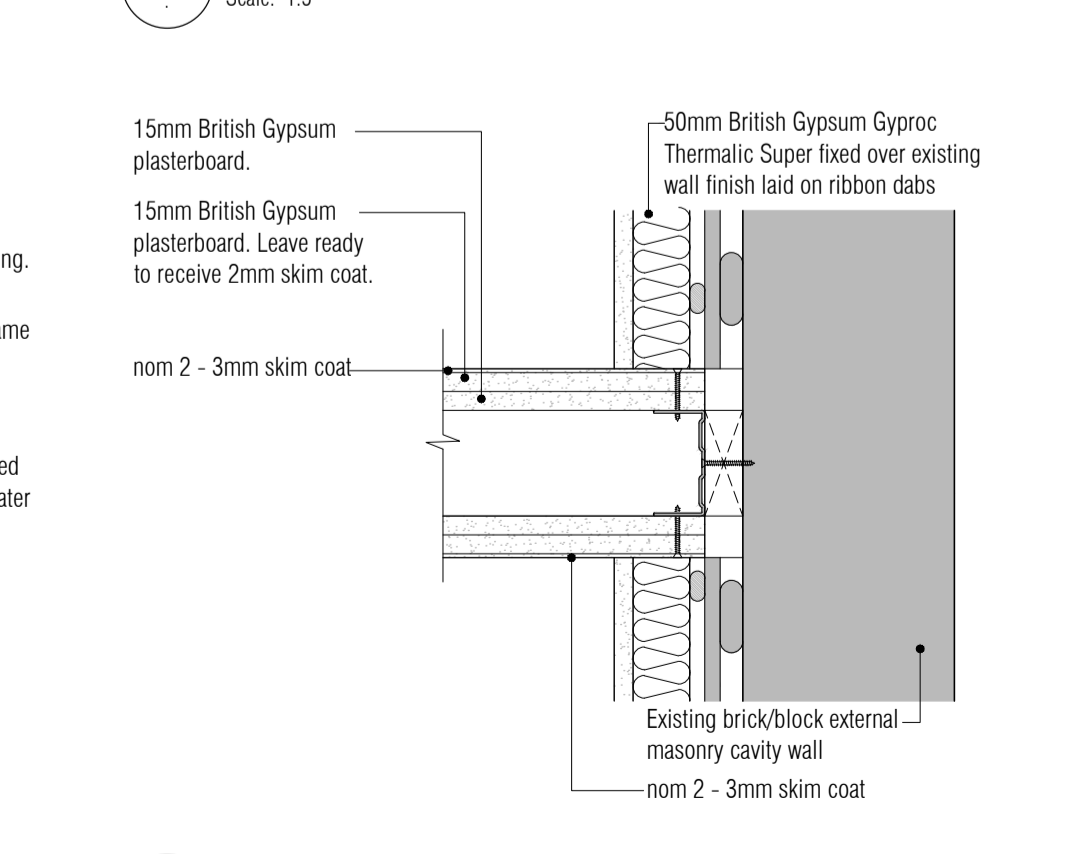
**23 Double Skin Infill Panel Detail**  
Scale: 1:5



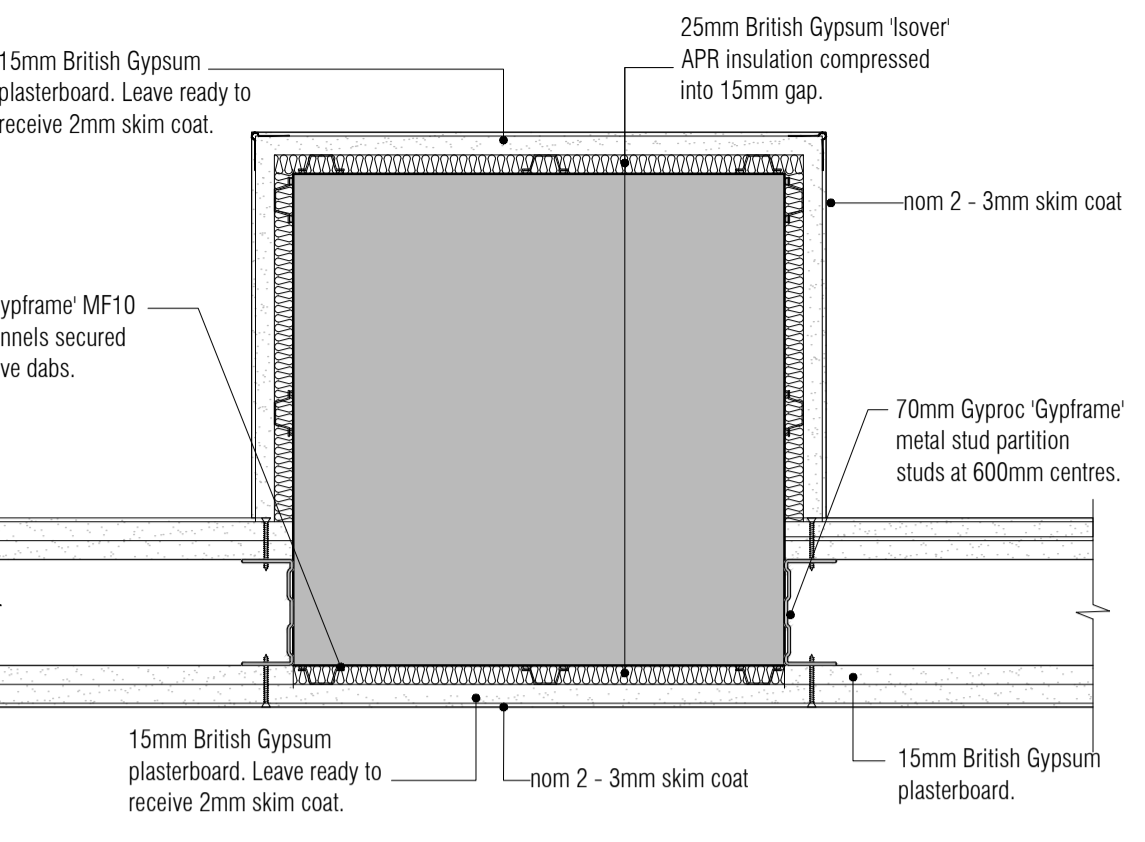
**26 Typical Vinyl Skirting Detail**  
Scale: 1:5



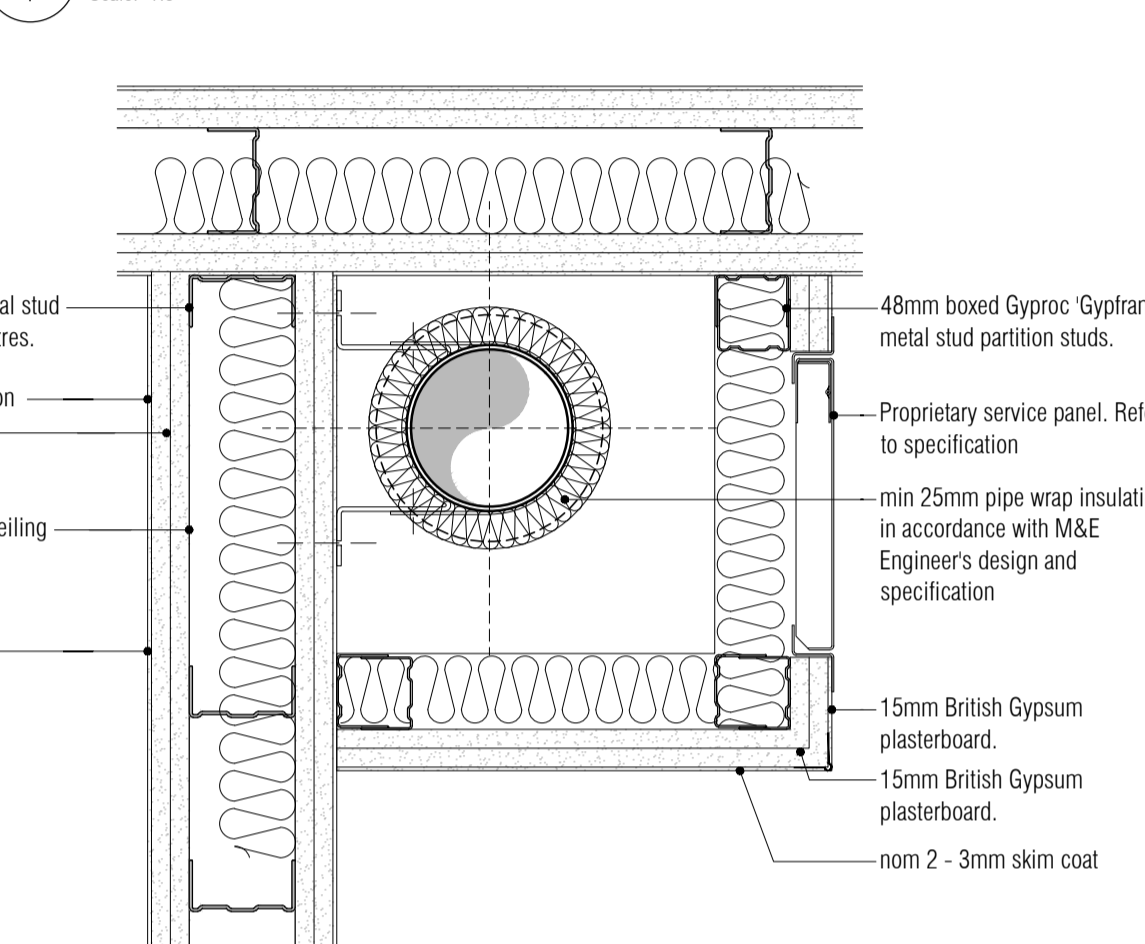
**25 Typical New Stud Wall / Column Abutment Flyby Detail**  
Scale: 1:5



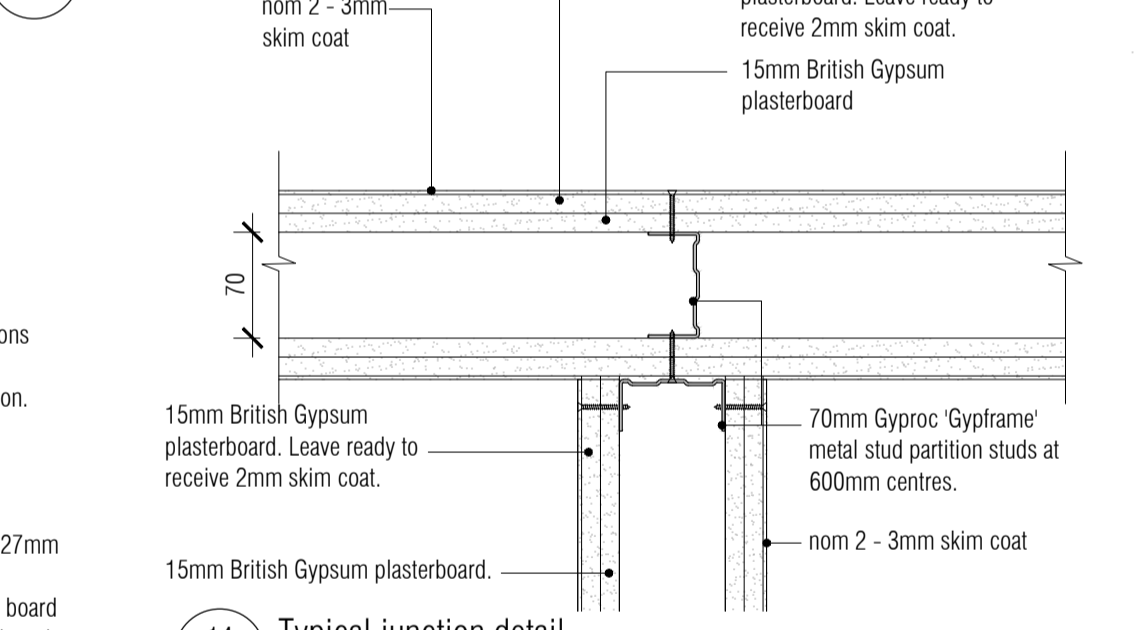
**24 Typical new stud wall / external wall abutment**  
Scale: 1:5



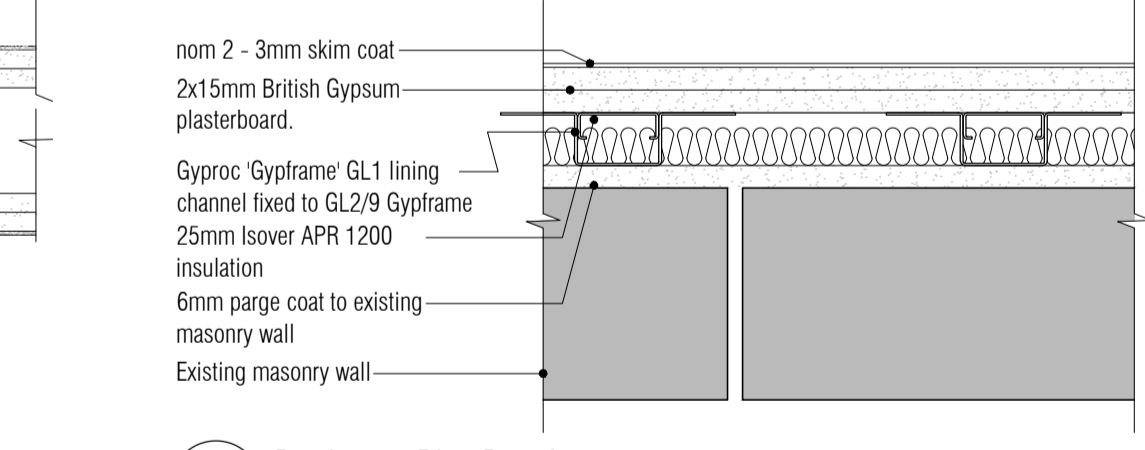
**12 Typical Interface with Existing Structure detail.**  
Scale: 1:5



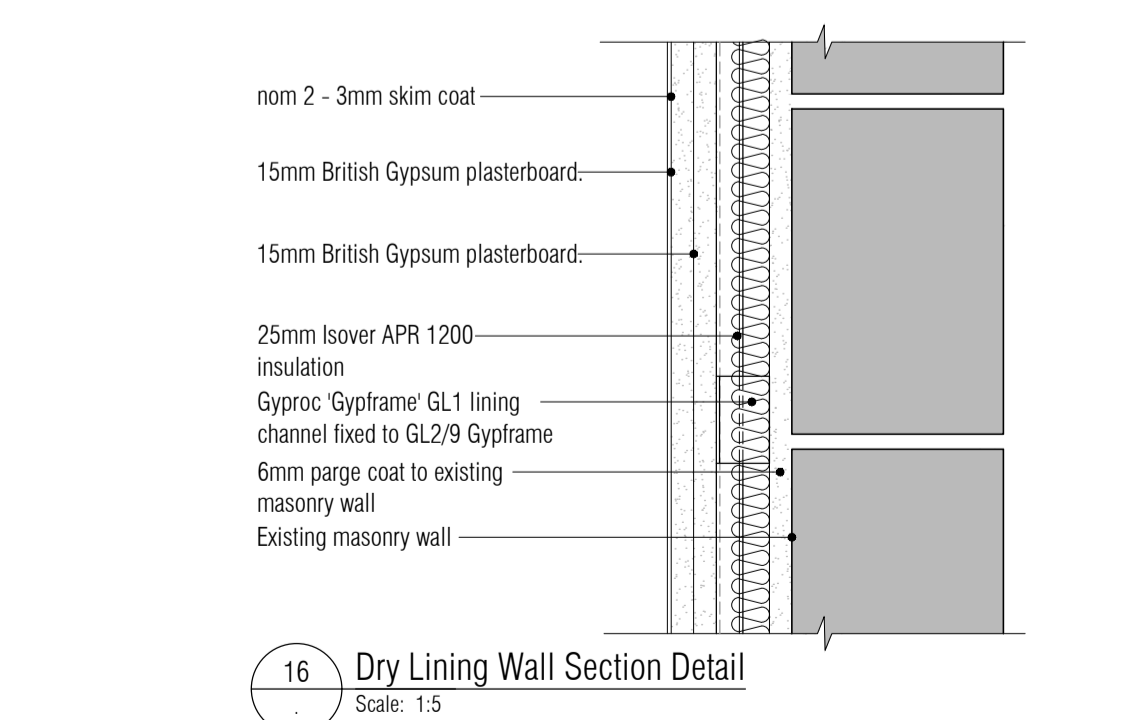
**13 Typical New Pipe Studwork Boxing**  
Scale: 1:5



**14 Typical junction detail.**  
Scale: 1:5

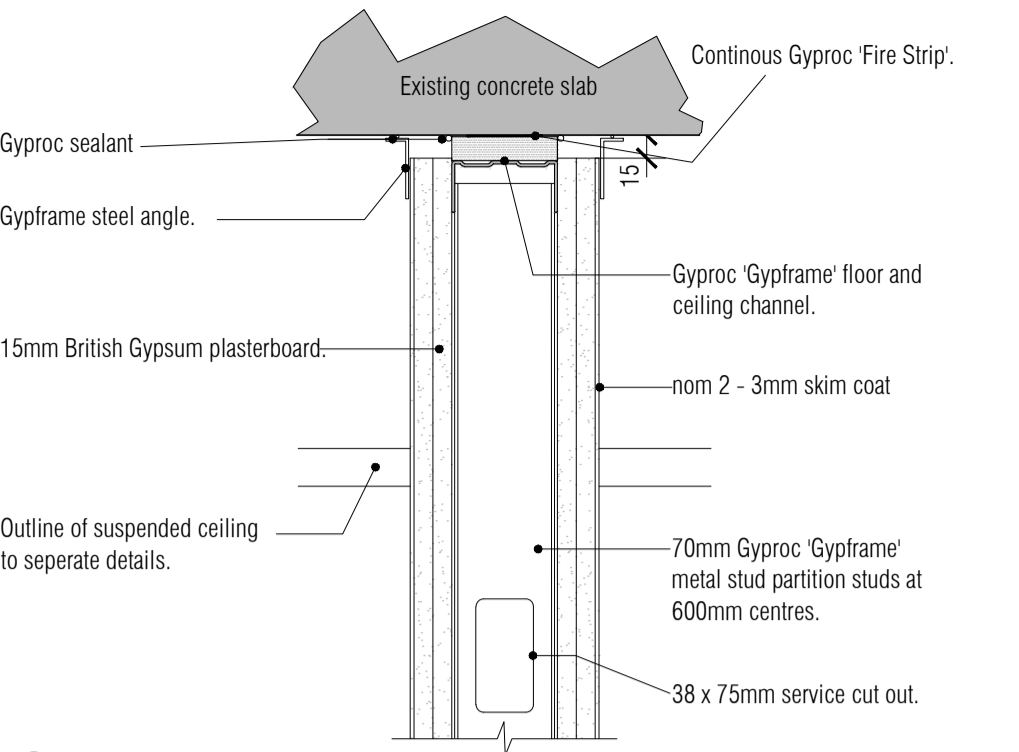


**15 Dry Lining Plan Detail**  
Scale: 1:5

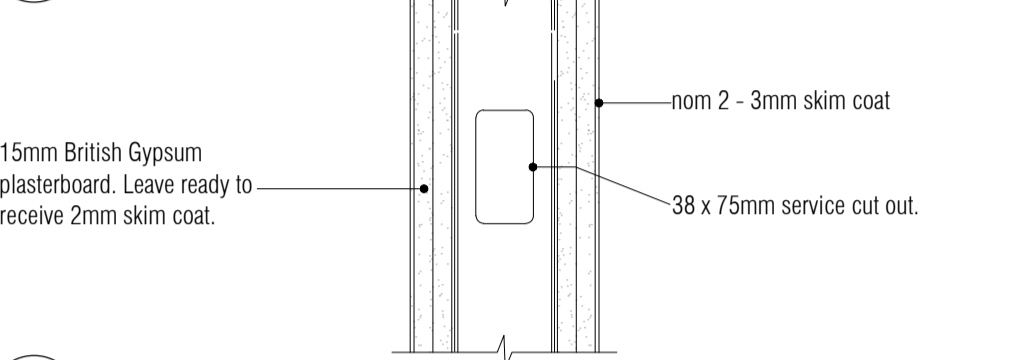


**16 Dry Lining Wall Section Detail**  
Scale: 1:5

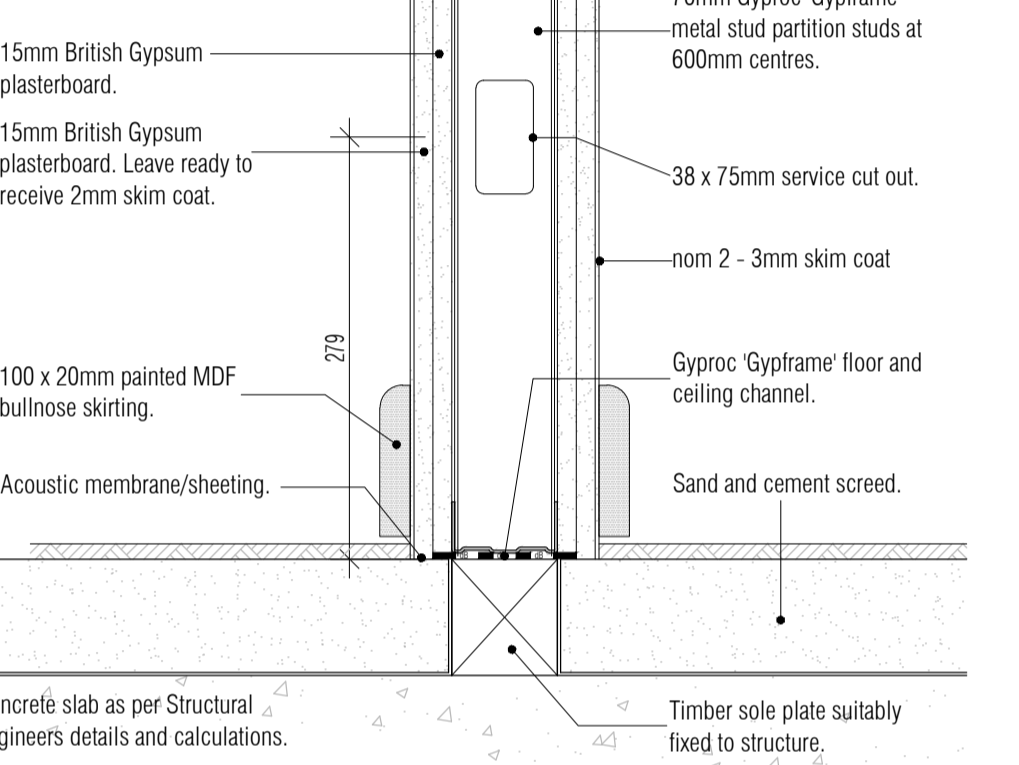
NB: This drawing and these details are typical and do not represent every wall type variation in every situation. Care should be taken to accommodate these variations in the construction of the details indicated



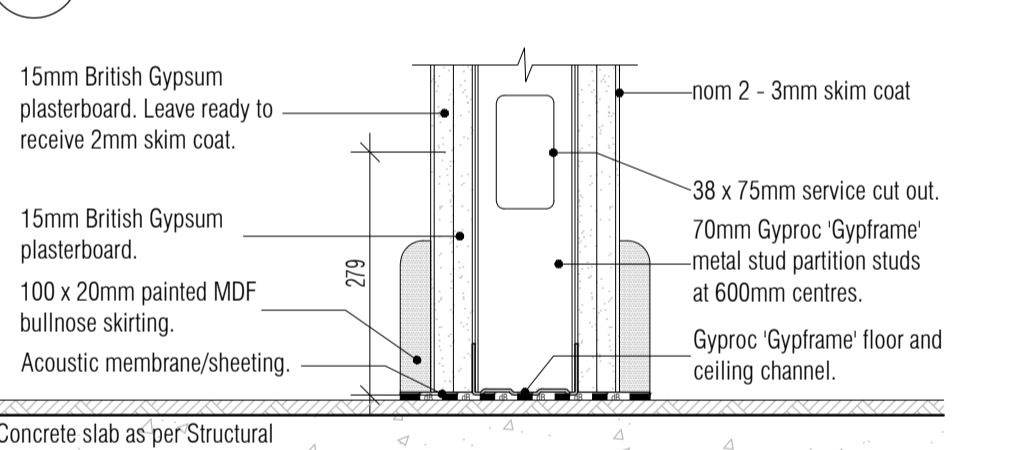
**17 Typical Partition Head Detail**  
Scale: 1:5



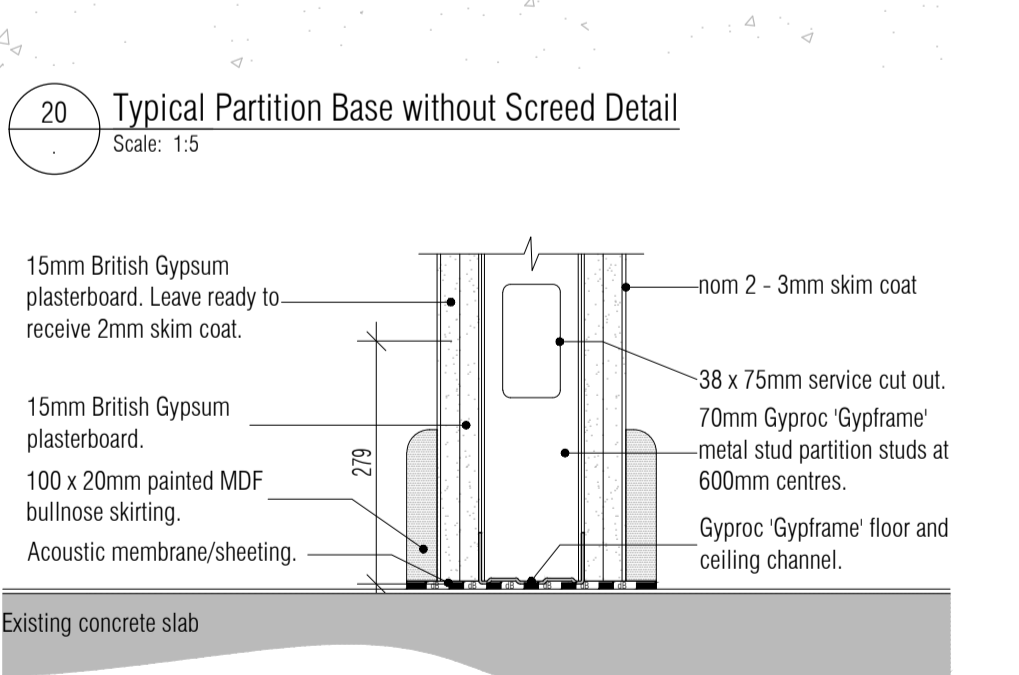
**18 Typical Partition Mid Detail**  
Scale: 1:5



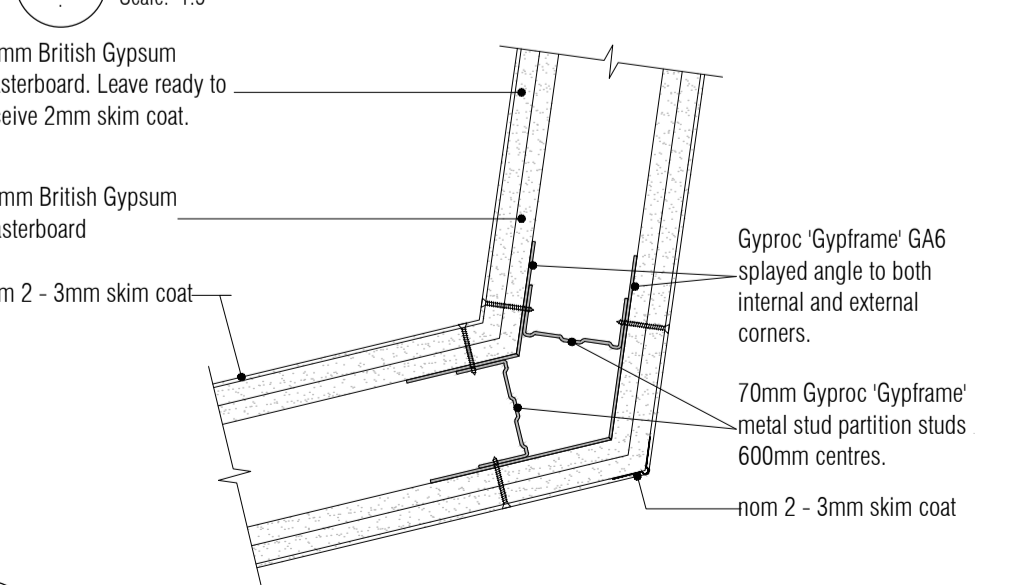
**19 Typical Partition Base with Screed Detail**  
Scale: 1:5



**20 Typical Partition Base without Screed Detail**  
Scale: 1:5

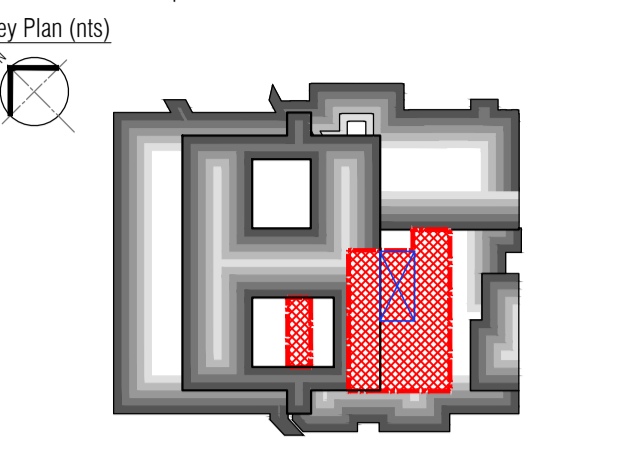


**21 Typical Partition Base without Screed Detail**  
Scale: 1:5



**22 Typical splayed angled corner detail.**  
Scale: 1:5

NOTES: Do not scale this drawing. All dimensions to be checked on site prior to commencement or manufacture.



Partition Strategy Key  
To be read in conjunction with  
Wall Types dwgs 521717-A-530 - 535 and  
Partition Strategy dwgs 521717-A-160 - 165 and  
Partition Detail dwgs 521717-A-500 - 509

Internal Walls

Wall Type A	WA	WA	WA	WA	WA
Wall Type B	WB	WB	WB	WB	WB
Wall Type C	WC	WC	WC	WC	WC
Wall Type D	WD	WD	WD	WD	WD
Wall Type E	WE	WE	WE	WE	WE
Wall Type F	WF	WF	WF	WF	WF
Wall Type G	WG	WG	WG	WG	WG
Wall Type H	WH	WH	WH	WH	WH
Wall Type I	WI	WI	WI	WI	WI
Wall Type J	WJ	WJ	WJ	WJ	WJ
Wall Type K	WK	WK	WK	WK	WK
Wall Type L	WL	WL	WL	WL	WL
Wall Type M	WM	WM	WM	WM	WM
Wall Type N	WN	WN	WN	WN	WN
Wall Type O	WO	WO	WO	WO	WO
Wall Type P	WP	WP	WP	WP	WP

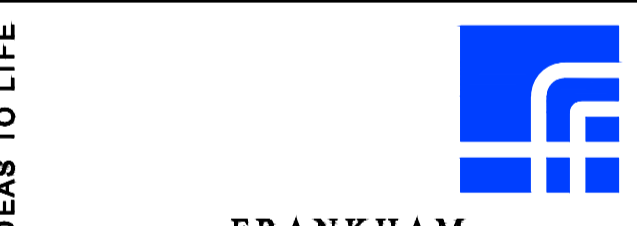
External Walls

Wall Type W	WW	WW	WW	WW	WW
Wall Type X	WX	WX	WX	WX	WX
Wall Type Y	WY	WY	WY	WY	WY
Wall Type Z	WZ	WZ	WZ	WZ	WZ

NB: These and all details that indicate an interface to or with any and all existing structure and or fabric are subject to change pending further on-site investigation and exploration and or breaking out on-site at commencement of works on site. FCG repudiate any liability as a result of works commenced or completed prior to said investigations without prior agreement.

**PRELIMINARY ISSUE**

Rev	Date	By	Chk	Comment
P1	15.06.20	JM	AGC	Preliminary Issue for Information



**Frankham Consultancy Group Limited**  
21 Perrymount Road  
Haywards Heath RH16 3TP  
t 01444 444900 f 01444 455642  
enquiry@frankham.com  
www.frankham.com

Client  
**St George's Healthcare NHS Trust**

Project Title  
General Intensive Care Unit Extension  
St. James Wing  
St. Georges Hospital  
London

Drawing Title  
Typical Partition Details

Drawn by:	RKC	Scale:	1:5@A1	Date:	03.03.14
Designed by:	FCG	Checked by:	MDK	Approved by:	AGC

File Ref.:	K:\FRANKHAM\2015\02\1717\0004349000.dwg	Date:	20.06.15-15:32:47
------------	---	-------	-------------------

Drawing No.  
**521717-A-531**