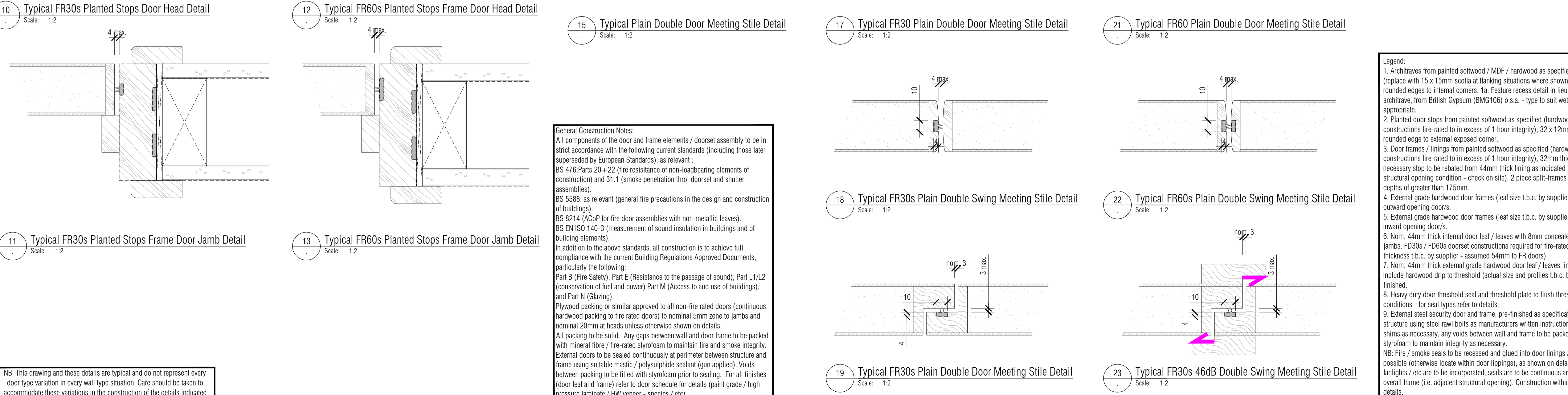
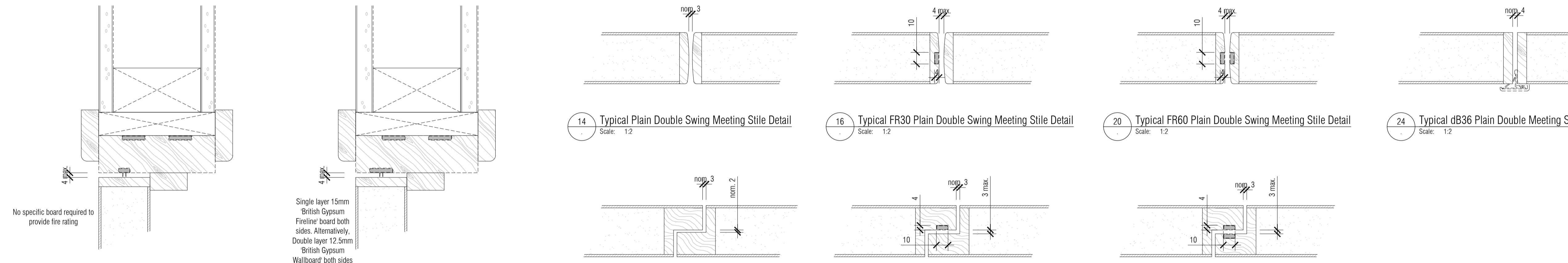
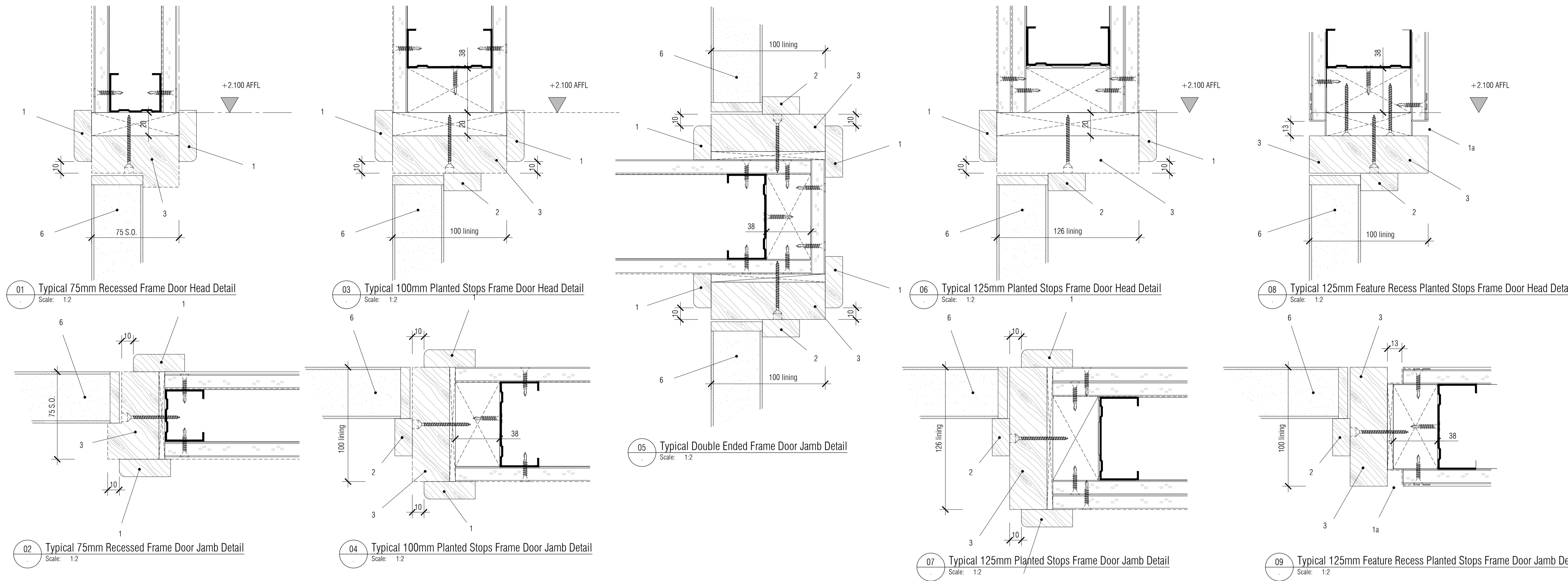


All partition information, details and specifications subject to confirmation by Drywall Contractor and are to be in accordance with Manufacturer's design and instructions. Architect to be notified immediately upon discovery of variation to the details shown.

NB: All levels are approximate and are subject to further site investigation prior to construction. All discrepancies to be reported to FCG immediately.



NB: This drawing and these details are typical and do not represent every door type variation in every wall type situation. Care should be taken to accommodate these variations in the construction of the details indicated.

General Construction Notes:
 All components of the door and frame elements / doorset assembly to be in strict accordance with the following current standards (including those later superseded by European Standards), as relevant:
 BS 476: Parts 20 - 22 (fire resistance of non-loadbearing elements of construction) and 31.1 (smoke penetration thro. doorset and shutter assemblies).
 BS 5588: as relevant (general fire precautions in the design and construction of buildings).
 BS 8214 (ACoP for fire door assemblies with non-metallic leaves).
 BS EN ISO 140-3 (measurement of sound insulation in buildings and of building elements).
 In addition to the above standards, all construction is to achieve full compliance with the current Building Regulations Approved Documents, particularly the following:
 Part B (Fire Safety), Part E (Resistance to the passage of sound), Part L1/L2 (conservation of fuel and power) Part M (Access to and use of buildings), and Part N (Glazing).
 Plywood packing or similar approved to all non-fire rated doors (continuous hardwood packing to fire rated doors) to nominal 5mm zone to jambs and nominal 20mm at heads unless otherwise shown on details.
 All packing to be solid. Any gaps between wall and door frame to be packed with mineral fibre / fire-rated styrofoam to maintain fire and smoke integrity. External doors to be sealed continuously at perimeter between structure and frame using suitable mastic / polysulphide sealant (gun applied). Voids between packing to be filled with styrofoam prior to sealing. For all finishes (door leaf and frame) refer to door schedule for details (paint grade / high pressure laminate / HW veneer - species / etc).

Legend:
 1. Architraves from painted softwood / MDF / hardwood as specified, 44 x 15mm fin. (replace with 15 x 15mm scotia at flanking situations where shown) with single pencil rounded edges to internal corners. 1a. Feature recess detail in lieu of traditional plant-on architrave, from British Gypsum (BMG106) o.s.a. - type to suit wet plaster / board finish as appropriate.
 2. Planted door stops from painted softwood as specified (hardwood required to doorset constructions fire-rated to in excess of 1 hour integrity). 32 x 12mm fin. with single pencil rounded edge to external exposed corner.
 3. Door frames / linings from painted softwood as specified (hardwood required to doorset constructions fire-rated to in excess of 1 hour integrity). 32mm thick fin. - where necessary stop to be rebated from 44mm thick lining as indicated (depth varies to suit structural opening condition - check on site). 2 piece split-frames required for structural depths of greater than 175mm.
 4. External grade hardwood door frames (leaf size t.b.c. by supplier) paint finished, to suit outward opening door/s.
 5. External grade hardwood door frames (leaf size t.b.c. by supplier) paint finished, to suit inward opening door/s.
 6. Nom. 44mm thick internal door leaf / leaves with 8mm concealed HW lippings to jambs. FD30s / FD60s doorset constructions required for fire-rated doors (actual leaf thickness t.b.c. by supplier - assumed 54mm to FR doors).
 7. Nom. 44mm thick external grade hardwood door leaf / leaves, internal opening doors to include hardwood drip to threshold (actual size and profiles t.b.c. by supplier), all paint finished.
 8. Heavy duty door threshold seal and threshold plate to flush thresholds at external conditions - for seal types refer to details.
 9. External steel security door and frame, pre-finished as specification. Secured to structure using steel raw bolts as manufacturers written instructions. Use steel packing shims as necessary, any voids between wall and frame to be packed with mineral fibre / styrofoam to maintain integrity as necessary.
 NB: Fire / smoke seals to be recessed and glued into door linings / frames where ever possible (otherwise locate within door lippings), as shown on details. Where over-panels / fanlights / etc are to be incorporated, seals are to be continuous around perimeter of overall frame (i.e. adjacent structural opening). Construction within that frame to be as details.

All Mechanical & Electrical and Structural information shown indicative only. Please refer to Mechanical & Electrical and Structural documentation.

NOTES: Do not scale this drawing. All dimensions to be checked on site prior to commencement or manufacture.

Key Plan (nts)

Partition Strategy Key
 To be read in conjunction with
 Wall Types dwgs 521717-A-530 - 535 and
 Partition Strategy dwgs 521717-A-160 - 165 and
 Partition Detail dwgs 521717-A-500 - 509

Internal Walls

Wall Type A	WA	WA	WA	WA
Wall Type B	WB	WB	WB	WB
Wall Type C	WC	WC	WC	WC
Wall Type D	WD	WD	WD	WD
Wall Type E	WE	WE	WE	WE
Wall Type F	WF	WF	WF	WF
Wall Type G	WG	WG	WG	WG
Wall Type H	WH	WH	WH	WH
Wall Type I	WI	WI	WI	WI
Wall Type J	WJ	WJ	WJ	WJ
Wall Type K	WK	WK	WK	WK
Wall Type L	WL	WL	WL	WL
Wall Type M	WM	WM	WM	WM
Wall Type N	WN	WN	WN	WN
Wall Type O	WO	WO	WO	WO
Wall Type P	WP	WP	WP	WP

External Walls

Wall Type W	WW	WW	WW	WW
Wall Type X	WX	WX	WX	WX
Wall Type Y	WY	WY	WY	WY
Wall Type Z	WZ	WZ	WZ	WZ

PRELIMINARY ISSUE

All details referenced in call outs supercede general arrangement or larger depictions.

Rev	Date	By	Chk	Comment
P1	15.06.20	JM	AGC	Preliminary Issue for Information

BRINGING IDEAS TO LIFE

FRANKHAM

Frankham Consultancy Group Limited
 21 Perryman Road
 Hayward Heath RH16 3TP
 t 01444 444000 f 01444 456442
 enquiries@frankham.com
 www.frankham.com

Client
St George's Healthcare NHS Trust

Project Title
 General Intensive Care Unit Extension
 St. James Wing
 St. Georges Hospital
 London

Drawing Title
 Proposed
 Typical
 Door
 Details

Drawn by: RCC	Scale: 1:2@A1	Date: 05.03.14
Designed by: FCG	Checked by: MDK	Approved by: AGC

File Ref.: X:\FRANKHAM\2015021717\0204040000.DWG
 521717-A-500.dwg - 20/06/15 15:37:28

Drawing No.
521717-A-560

Rev.
P1