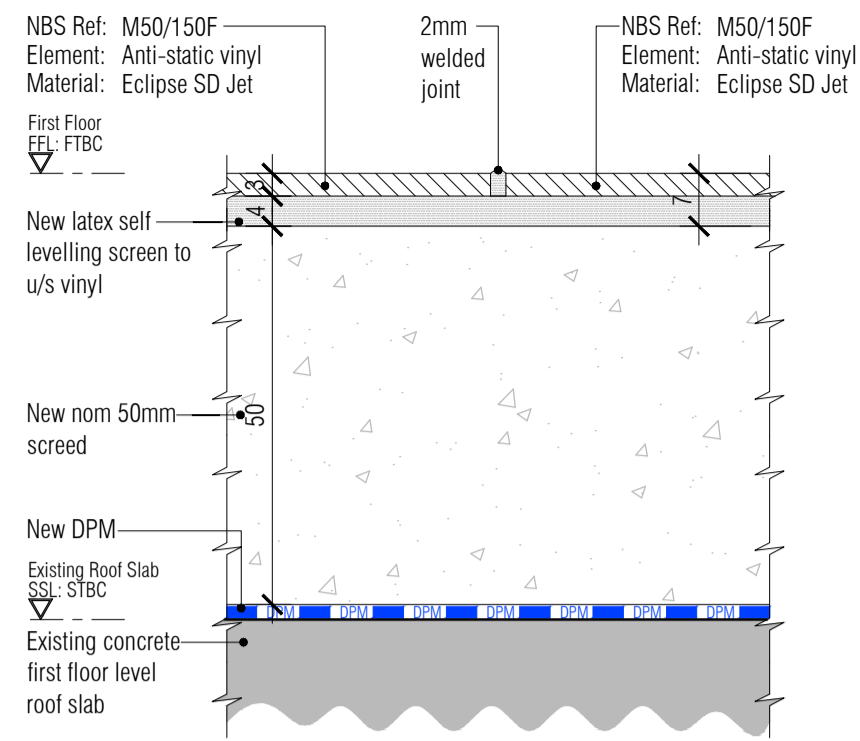
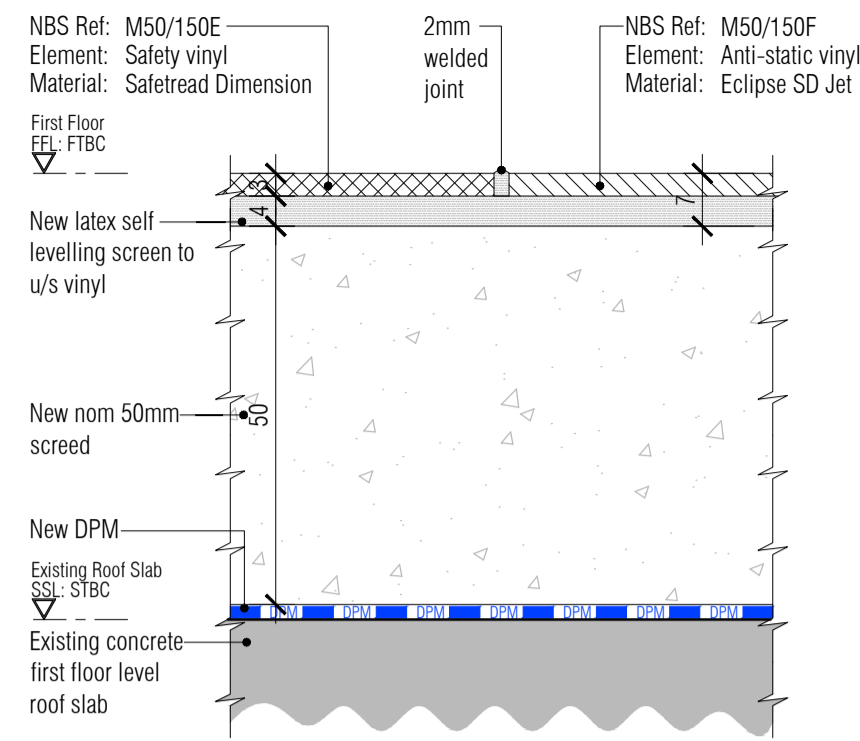


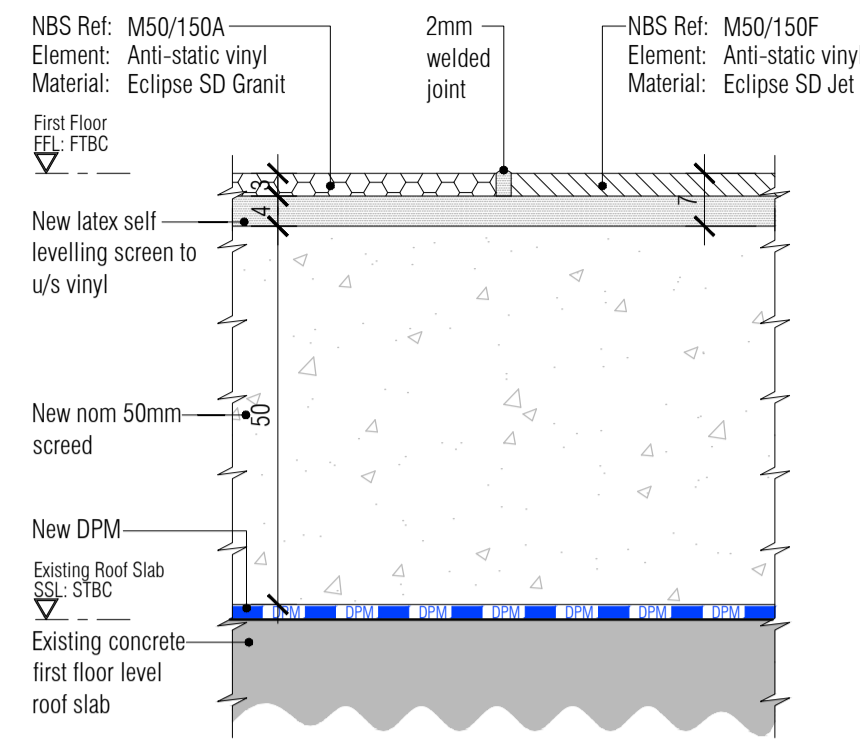
First Floor Level Floor Finishes Details



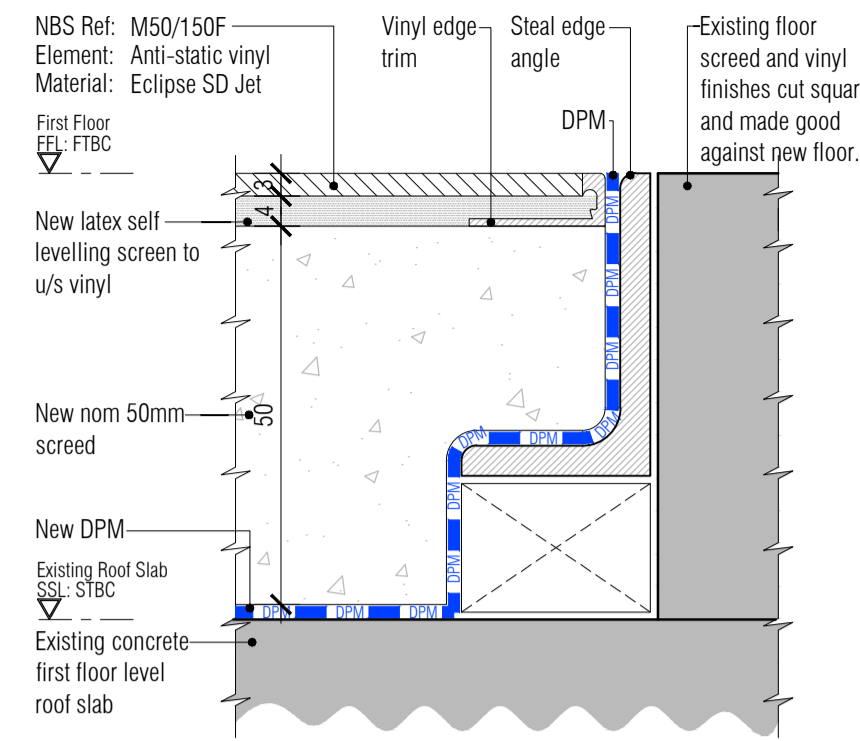
01 Vinyl Abutment Detail
Scale: 1:1



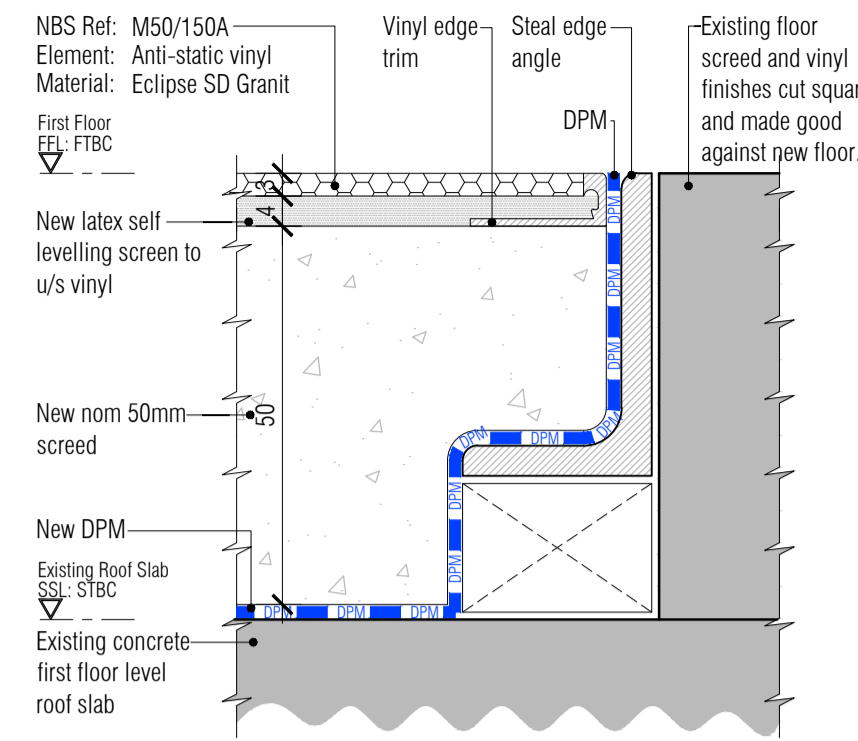
02 Vinyl Abutment Detail
Scale: 1:1



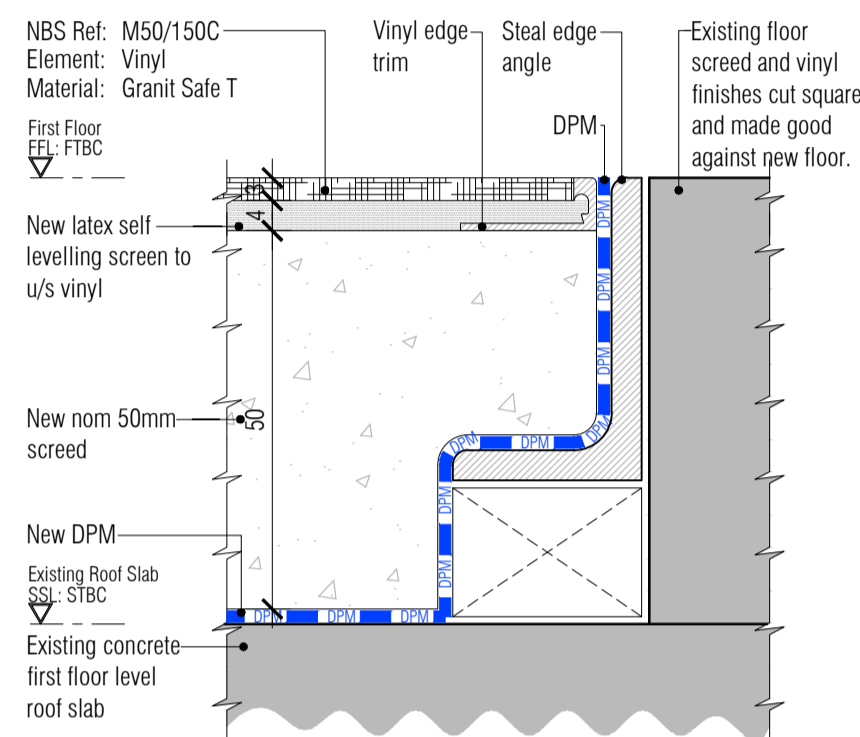
03 Vinyl Abutment Detail
Scale: 1:1



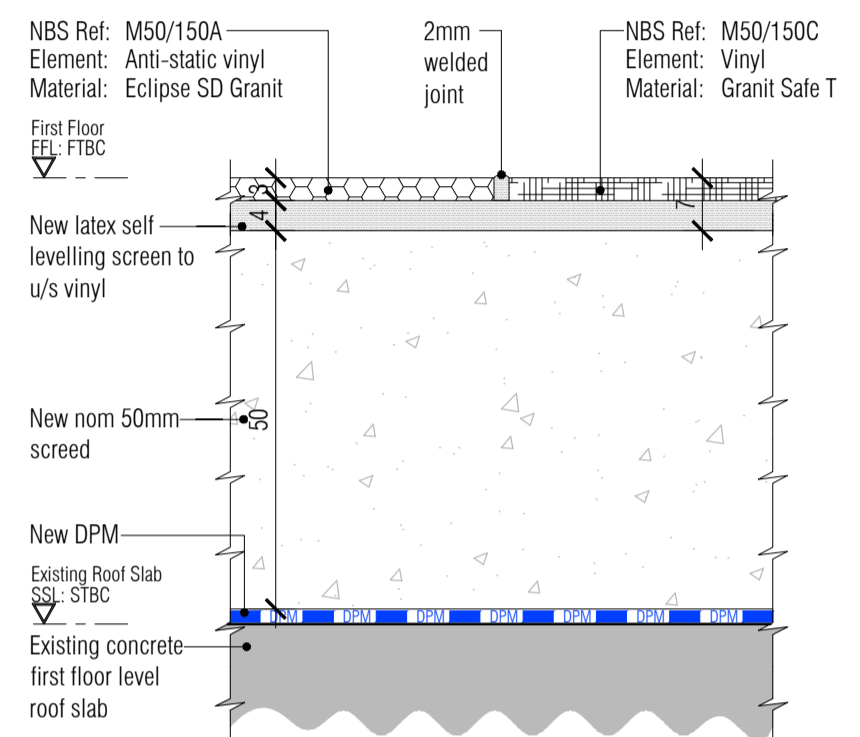
04 Vinyl to Existing Floor Detail
Scale: 1:1



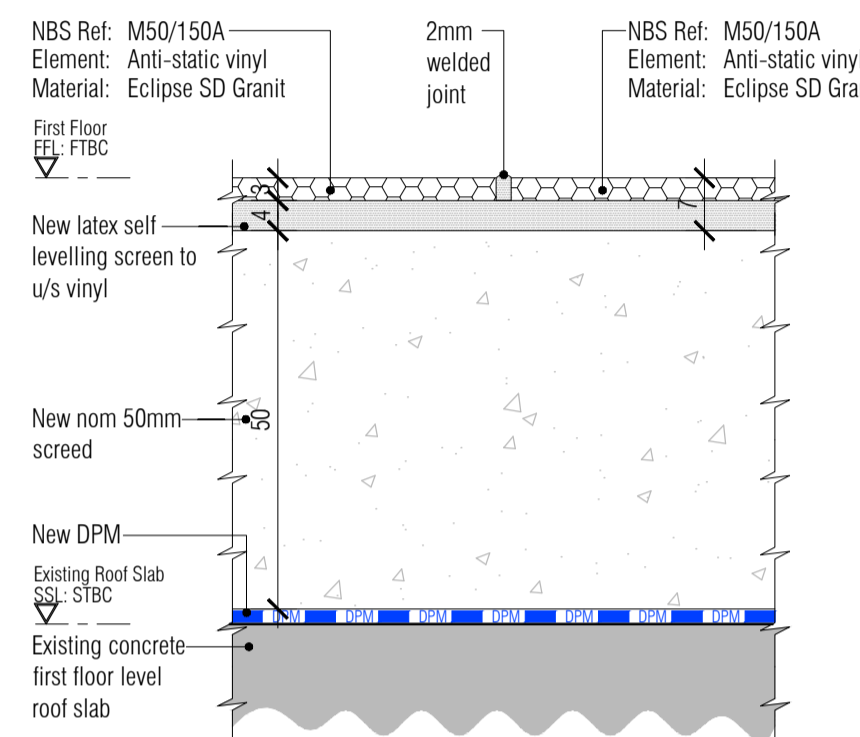
05 Vinyl to Existing Floor Detail
Scale: 1:1



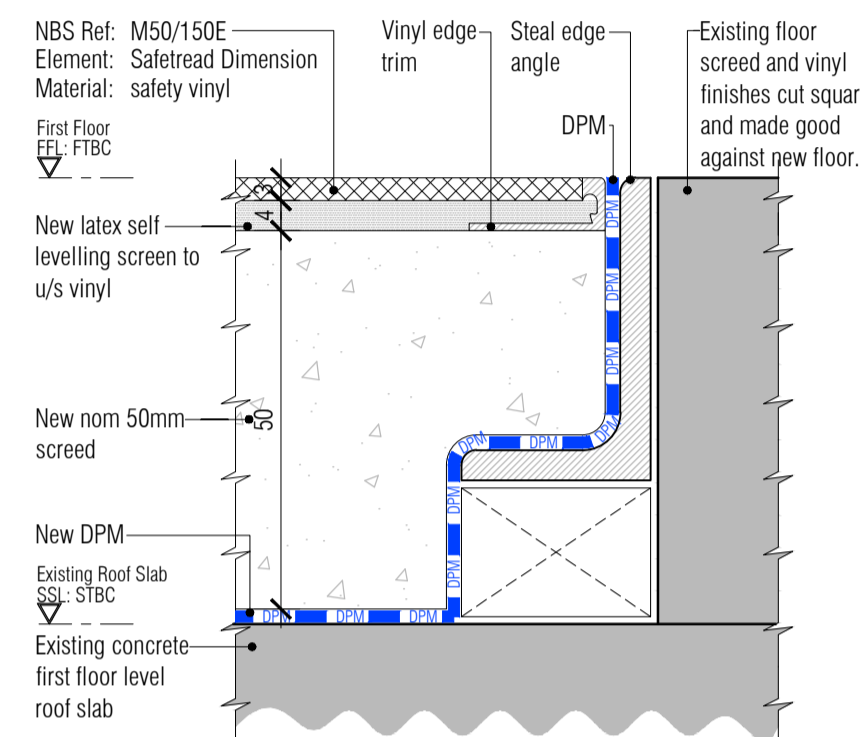
06 Vinyl to Existing Floor Detail
Scale: 1:1



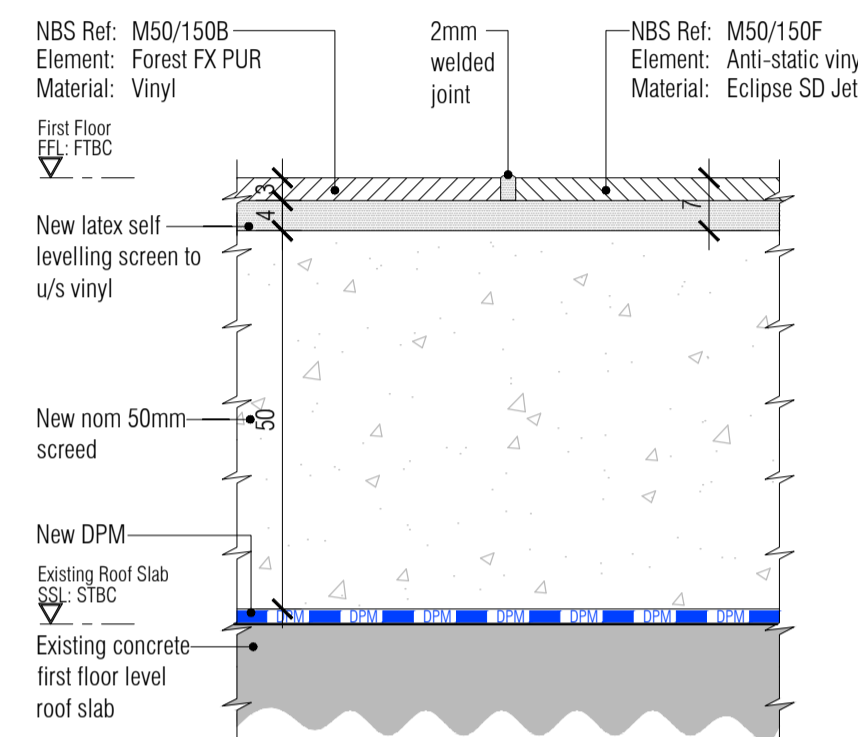
07 Vinyl Abutment Detail
Scale: 1:1



08 Vinyl Abutment Detail
Scale: 1:1

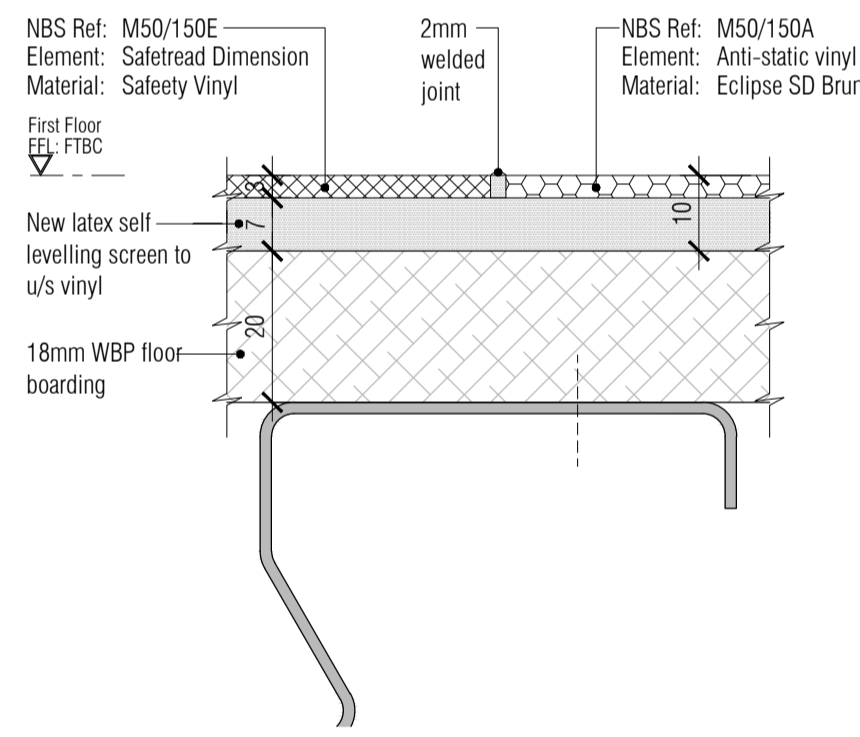


09 Vinyl to Existing Floor Detail
Scale: 1:1

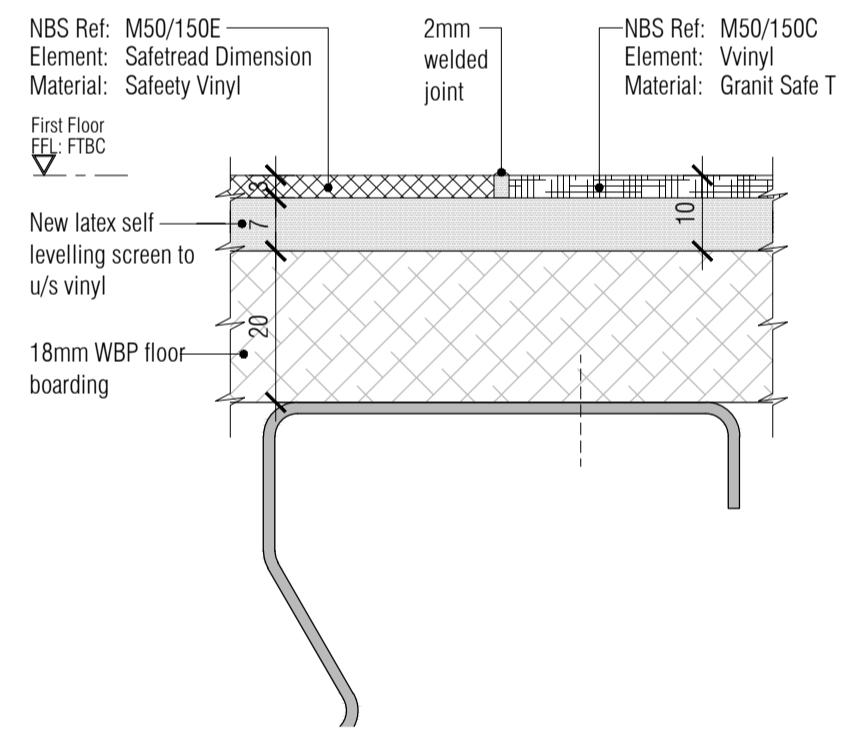


10 Vinyl Abutment Detail
Scale: 1:1

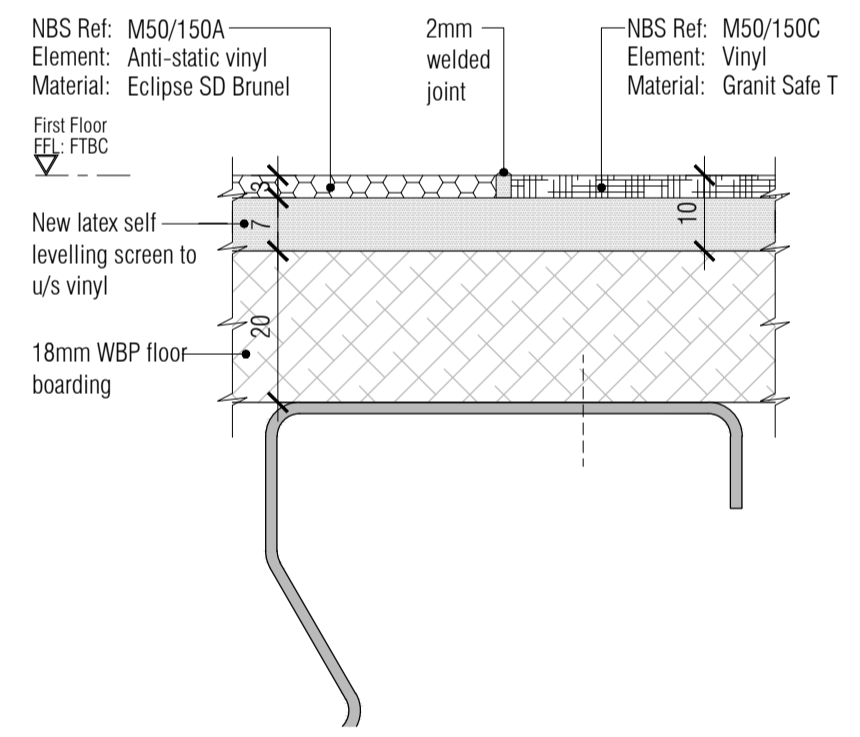
Second Floor Level Floor Finishes Details



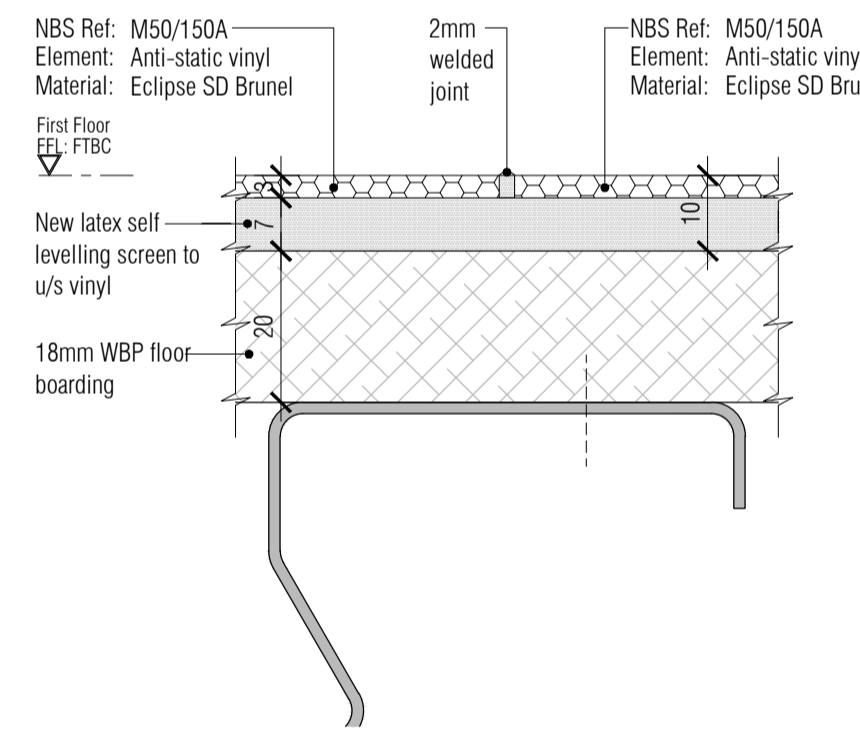
11 Vinyl Abutment Detail
Scale: 1:1



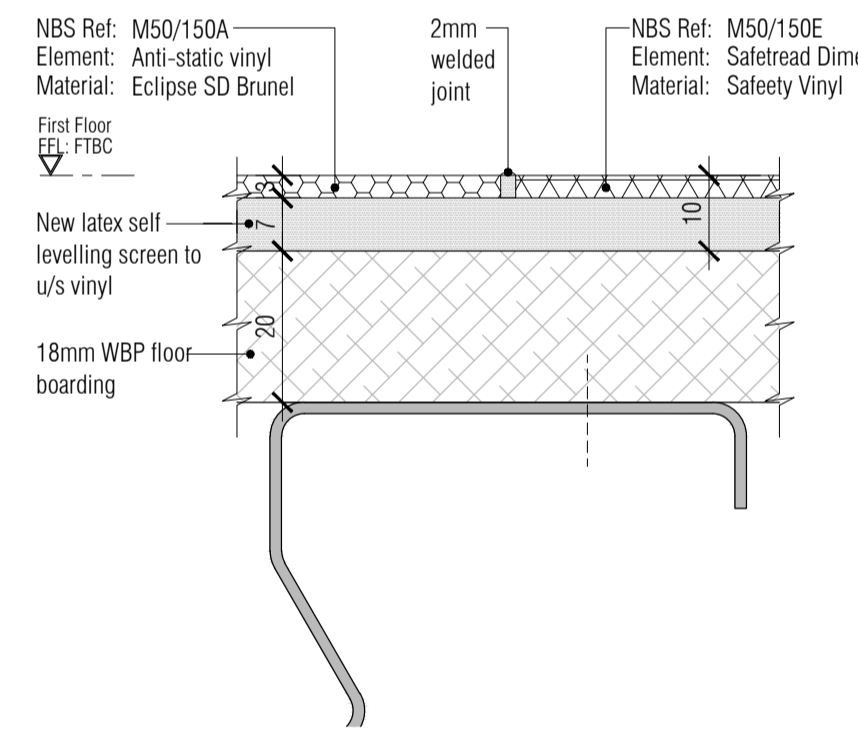
12 Vinyl Abutment Detail
Scale: 1:1



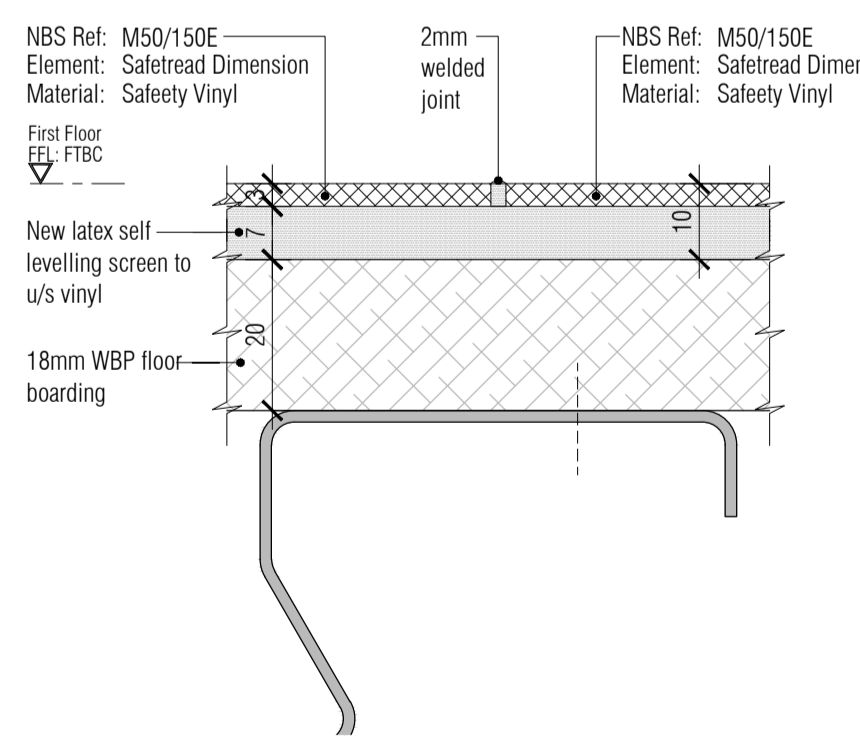
13 Vinyl Abutment Detail
Scale: 1:1



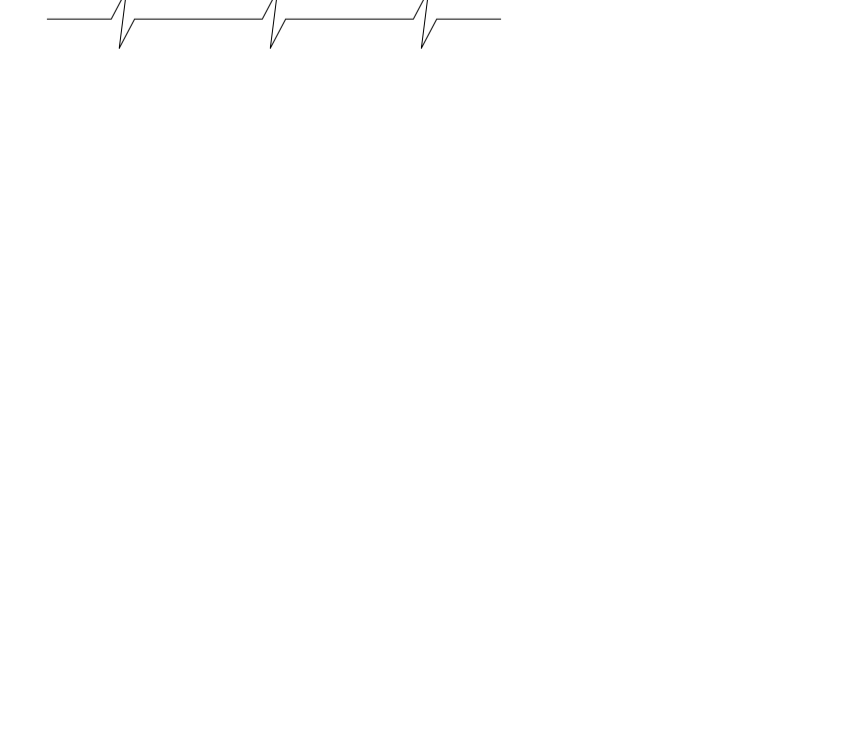
14 Vinyl Abutment Detail
Scale: 1:1



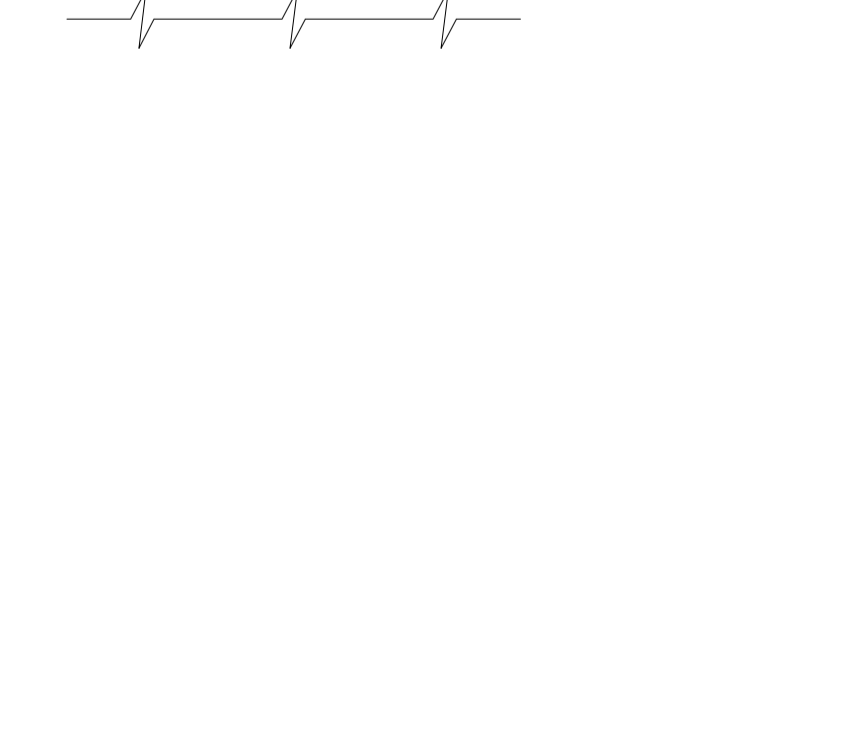
15 Vinyl Abutment Detail
Scale: 1:1



16 Vinyl Abutment Detail
Scale: 1:1



17 Typical Threshold Carpet Detail
Scale: 1:1

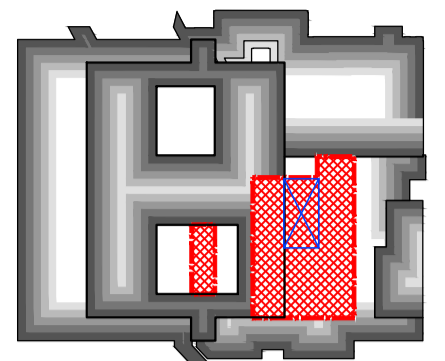


18 Typical Carpet Vinyl Detail
Scale: 1:1

NB: All levels are approximate and are subject to further site investigation prior to construction. All discrepancies to be reported to FCG immediately

NOTES: Do not scale this drawing. All dimensions to be checked on site prior to commencement or manufacture.

Key Plan (nts)



Screed depths may vary depending on floor finish and location. Main Contractor to determine screed depth required for each location to accommodate floor finish, underlay, membranes, paints, fixings, etc to maintain finished floor levels. Contractor to allow for a self levelling screed throughout.

PRELIMINARY ISSUE

Rev	Date	By	CHK	Comment
P1	15.06.20	JM	AGC	Preliminary Issue for Information

BRINGING IDEAS TO LIFE

FRANKHAM

Frankham Consultancy Group Limited
21 Perryman Road
Haywards Heath RH16 3TP
t 01444 444900 f 01444 455642
enquire@frankham.com
www.frankham.com

Client
St George's Healthcare NHS Trust

Project Title
General Intensive Care Unit Extension
St. James Wing
St. Georges Hospital
London

Drawing Title
Typical
Floor &
Floor Transition
Details

Drawn by: RKC	Scale: 1:1@A1	Date: 11.03.14
Designed by: FCG	Checked by: MDK	Approved by: AGC

File Ref.: 521717-A-565-005 - 20061510318	20.06.15-15:37:40
Drawing No. 521717-A-565	Rev. P1

NB: All information based on supplied third party survey information. All discrepancies to be reported to FCG immediately upon discovery.

All Mechanical & Electrical and Structural information shown indicative only. Please refer to Mechanical & Electrical and Structural documentation.