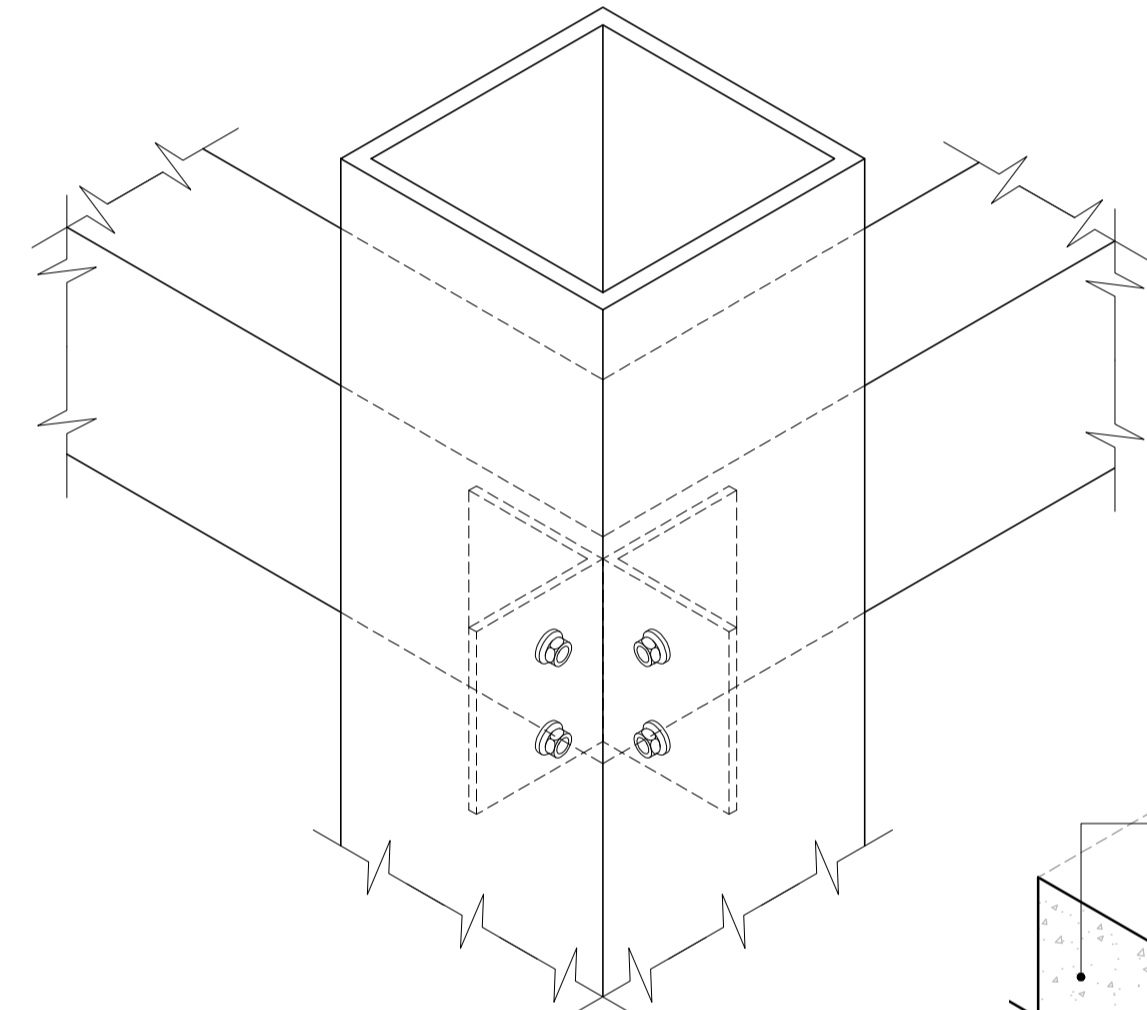
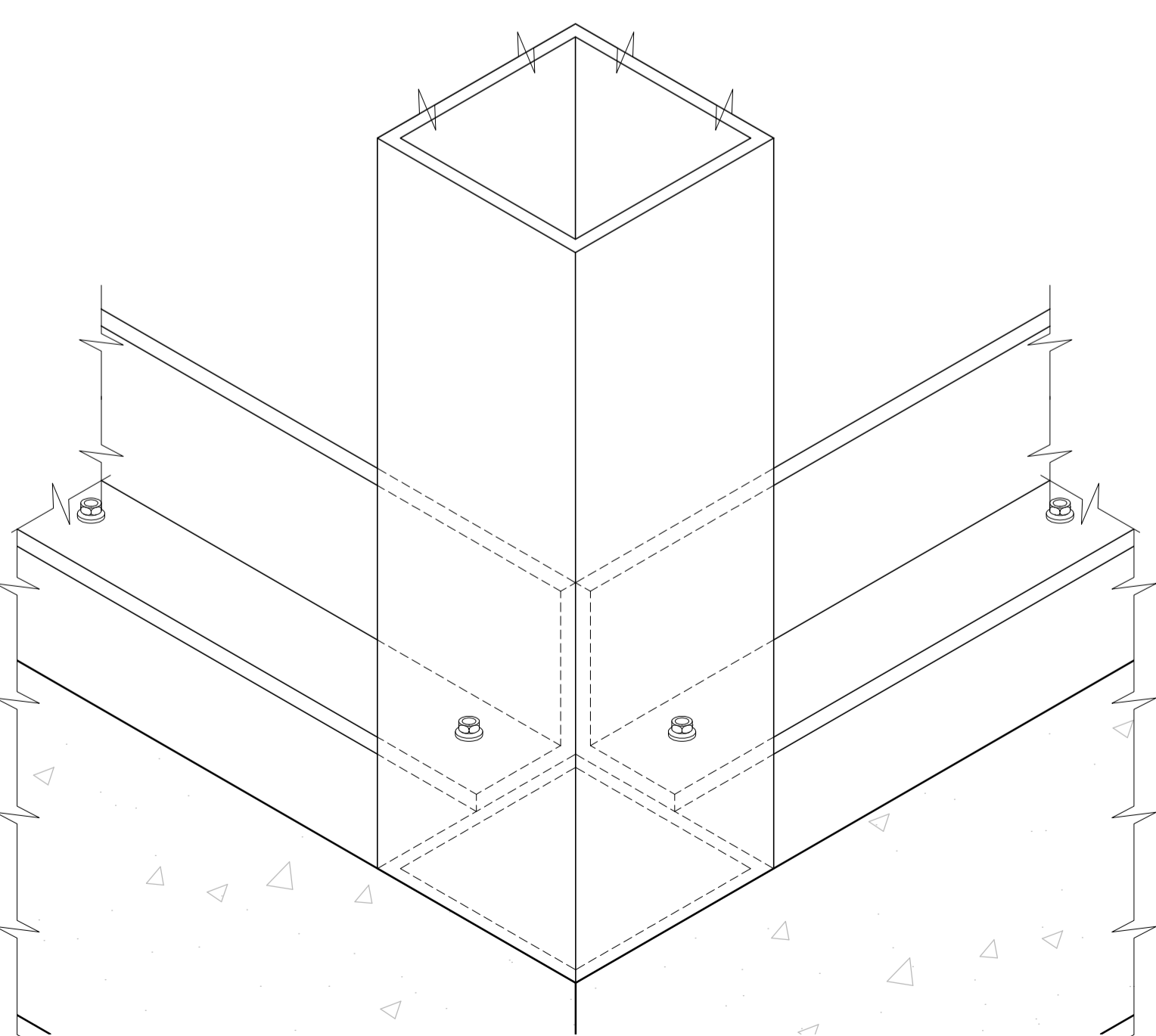


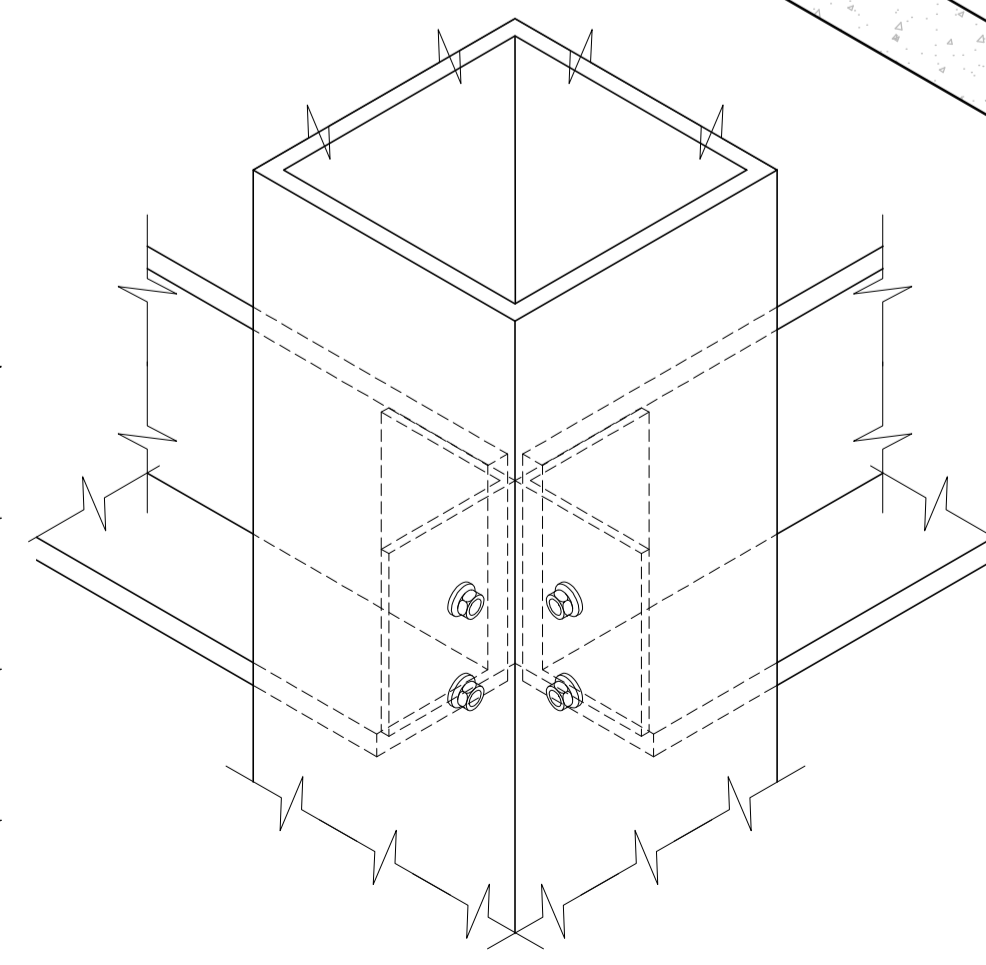
01 Wall Channel Connection Detail
Scale: 1:5



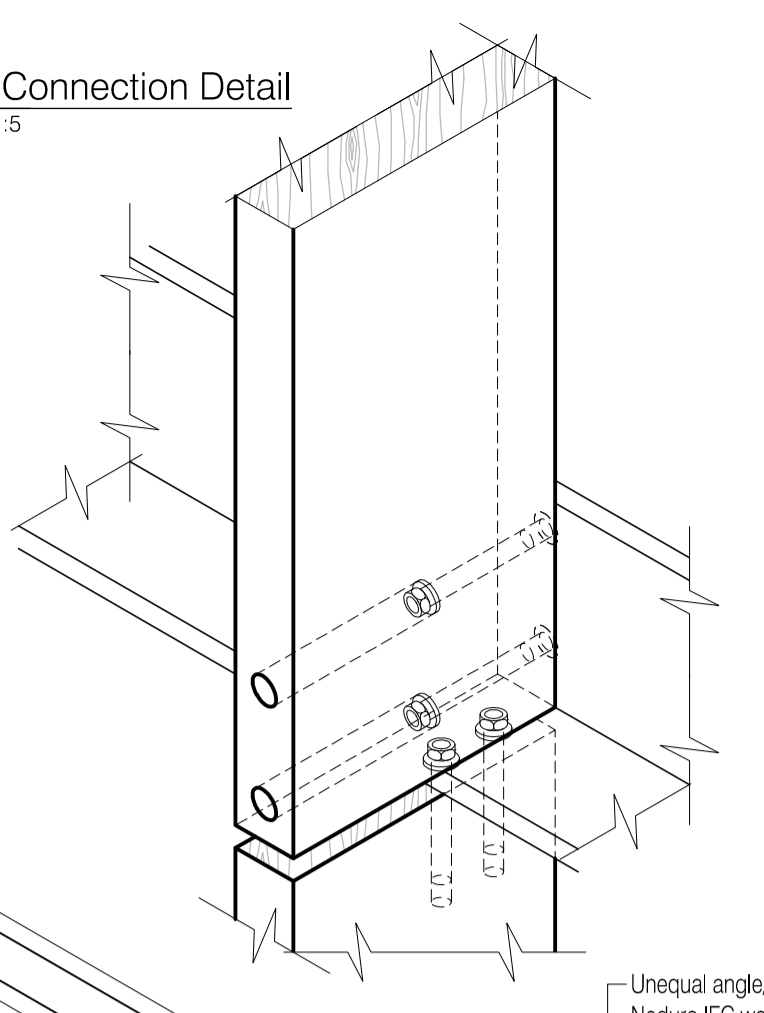
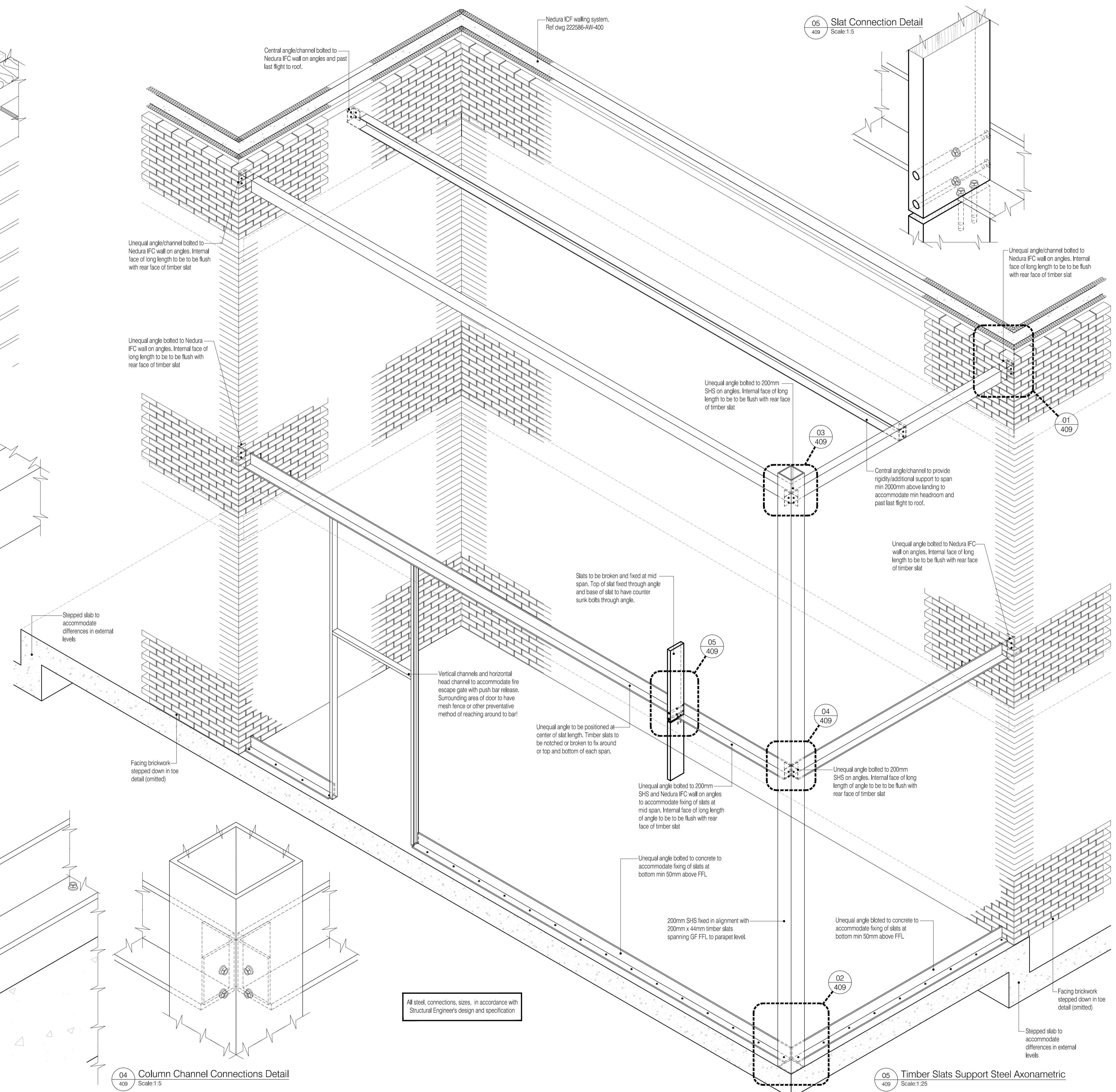
03 Column Channel Connections Detail
Scale: 1:5



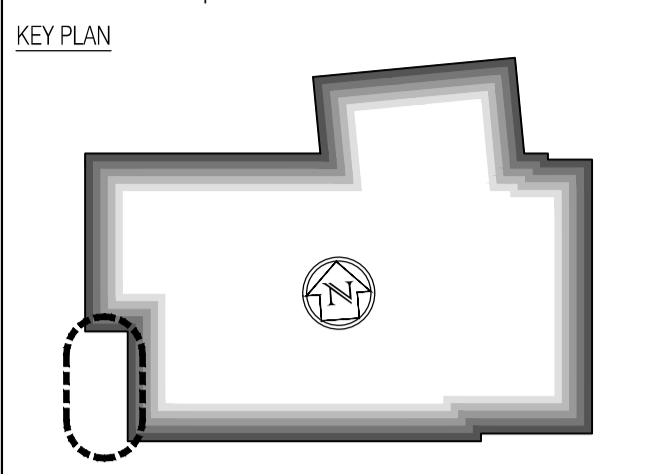
02 Slat Base Angle Detail
Scale: 1:5



04 Column Channel Connections Detail
Scale: 1:5



NOTES: Do not scale this drawing. All dimensions to be checked on site prior to commencement or manufacture.




ISSUED FOR CONSTRUCTION

Rev	Date	By	CHK	Comment
01	19.11.10	RKC	CJ	Drawing redundant & superceded

FRANKHAM

Frankham Consultancy Group Limited
21 Perrymount Road
Haywards Heath RH16 3TP
t 01444 444900 f 01444 455642
enquire@frankham.com
www.frankham.com

Client	
Project Title	Woodside Inclusive Learning Campus

Drawing Title	Frameless Stair Timber Slats Support Steel Details
Drawn by:	RKC
Scale:	1:25.5@A1
Date:	25.08.10
Designed by:	FCG
Checked by:	CJ
Approved by:	AC

Drawing No.	222586-AW-409	Rev.	01
-------------	---------------	------	----

BRINGING IDEAS TO LIFE