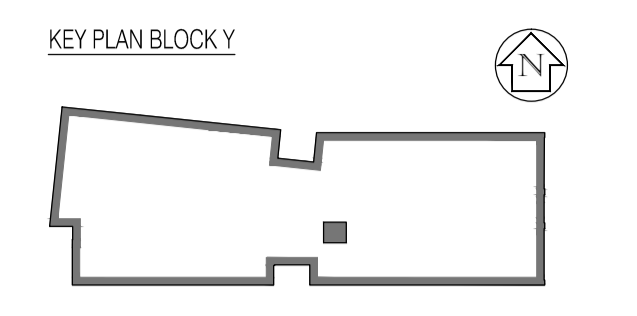


01 Second Floor  
Scale: 1:100

NOTES: Do not scale this drawing. All dimensions to be checked on site prior to commencement or manufacture.

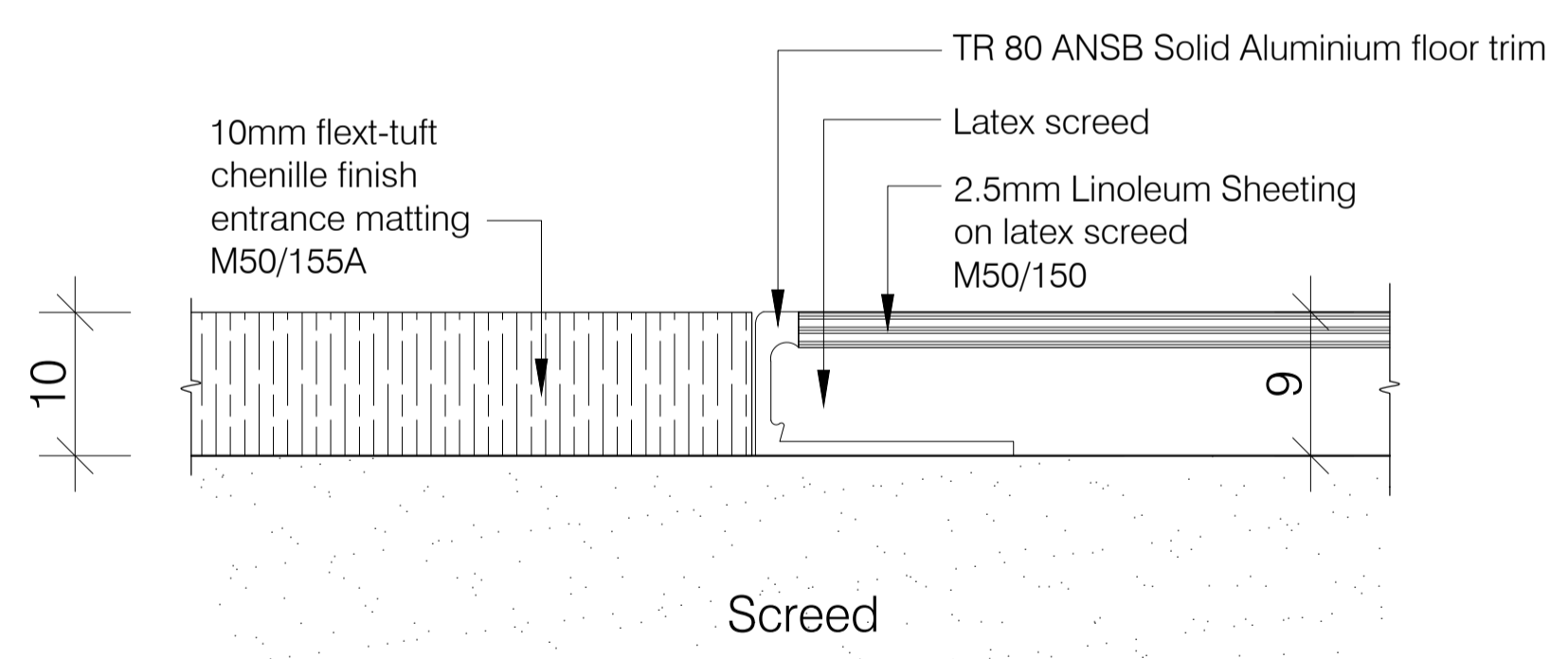


- Floor Finishes Legend**
- Denotes entrance matting M50/130a
  - Denotes non slip vinyl safety floor with covered skirting M50/155
  - Denotes terrazzo M41/120a and 150a (staircases)
  - Denotes painted screed M60/150
  - Denotes carpet tiling M50/130
  - Denotes linoleum finish M50/150
  - Denotes steel grid floor to structural engineers' design and specifications

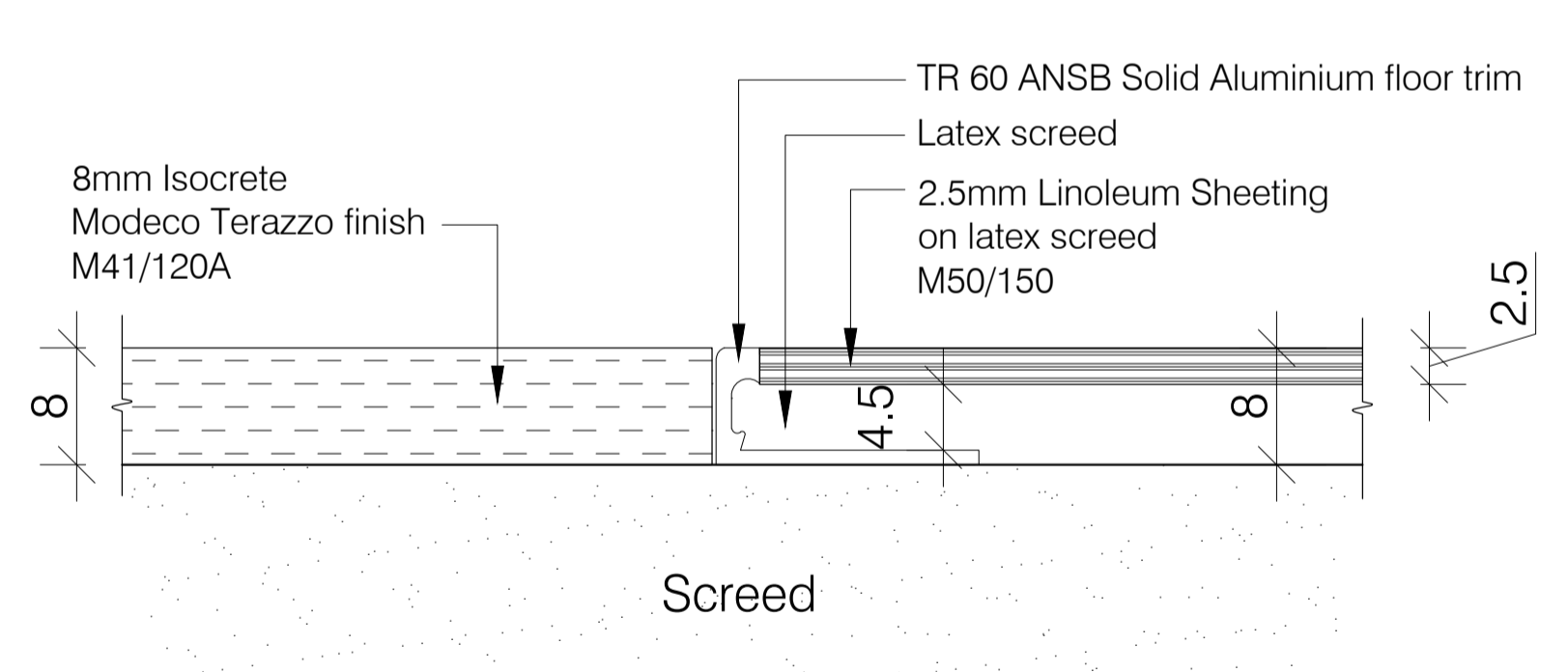
NOTE: Flush thresholds are required throughout campus. Allow for reduced screed or lowered slab locally to accommodate varying depths of flooring.  
For floor transition details, refer to FCG drawing 222586-AY-119

ISSUED FOR CONSTRUCTION

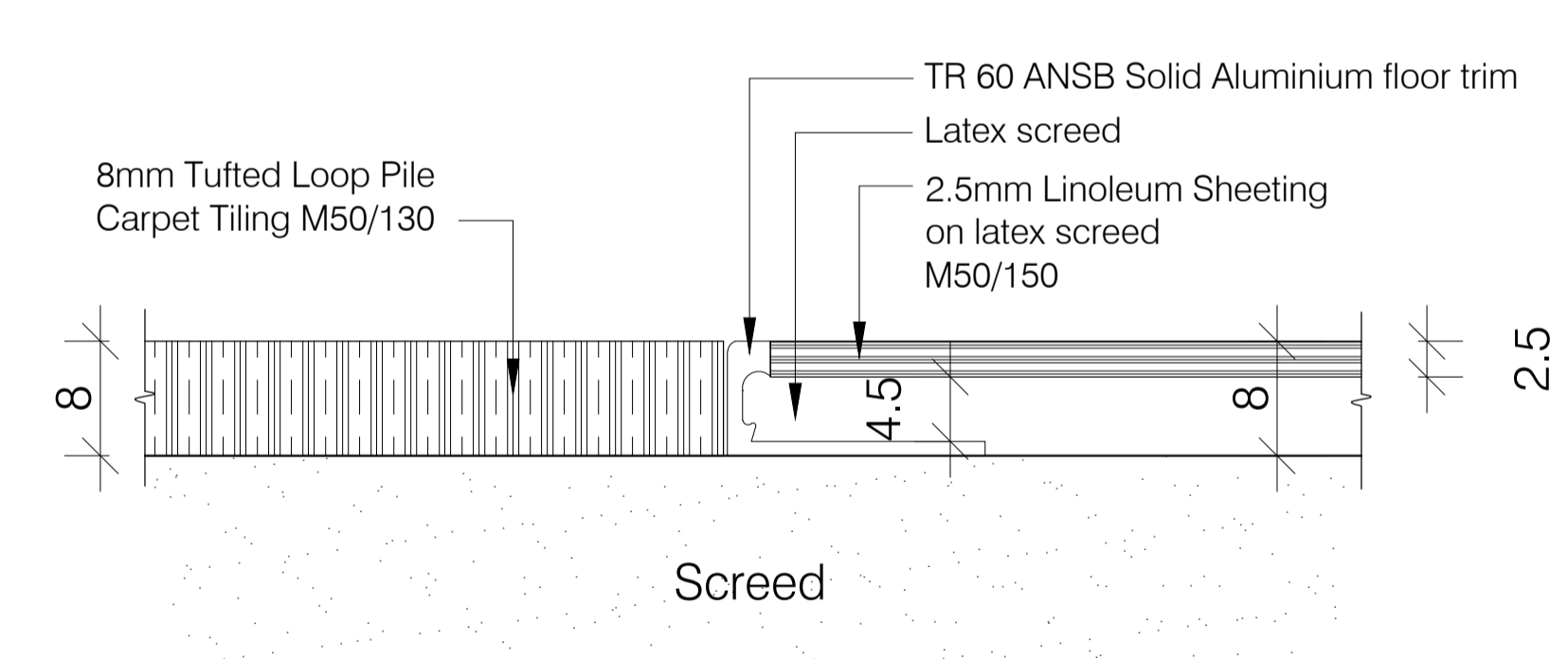
Rev	Date	By	Chk	Comment
C	10.12.09	RKC	CJ	Gen revs
B	16.11.09	RKC	CJ	Gen rev's
A	21.09.09	AL	-	Issued for Construction



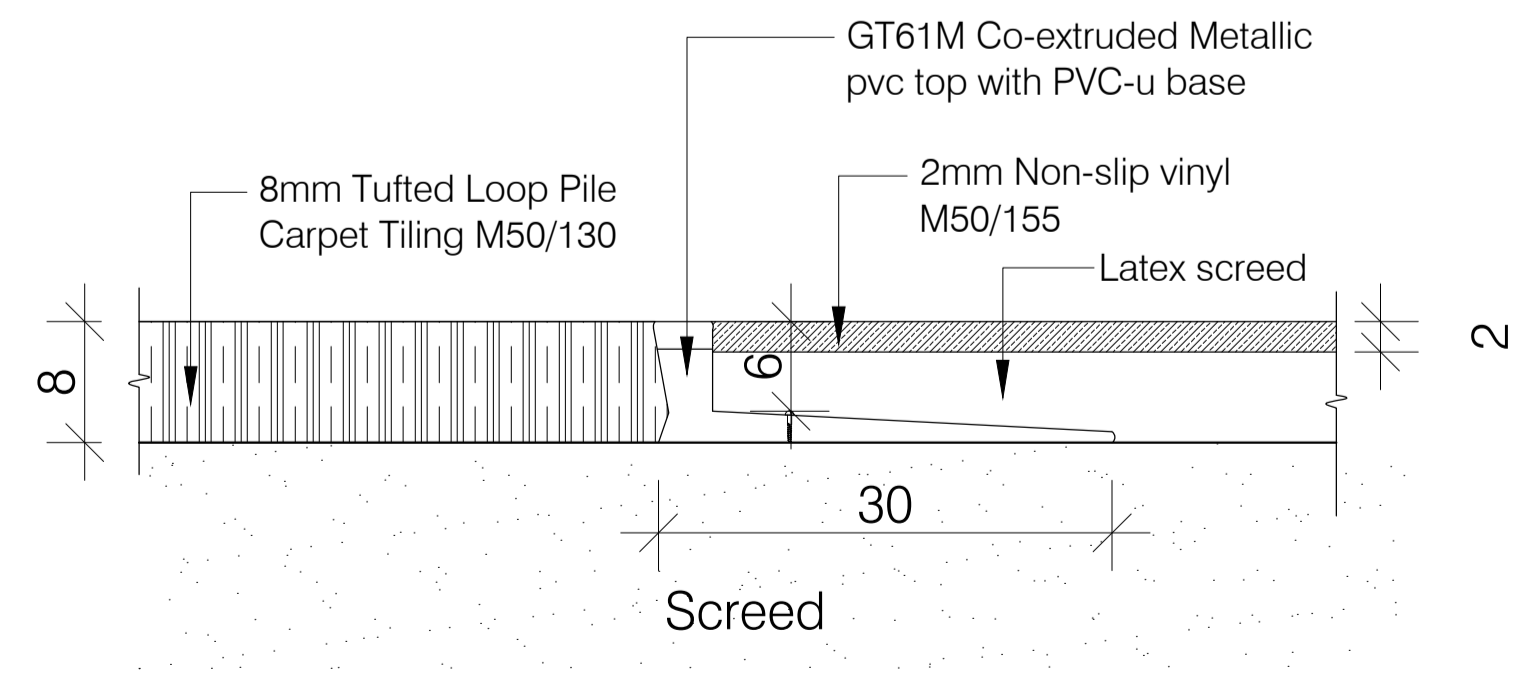
A. Transition between entrance matting & Linoleum (Lobby)



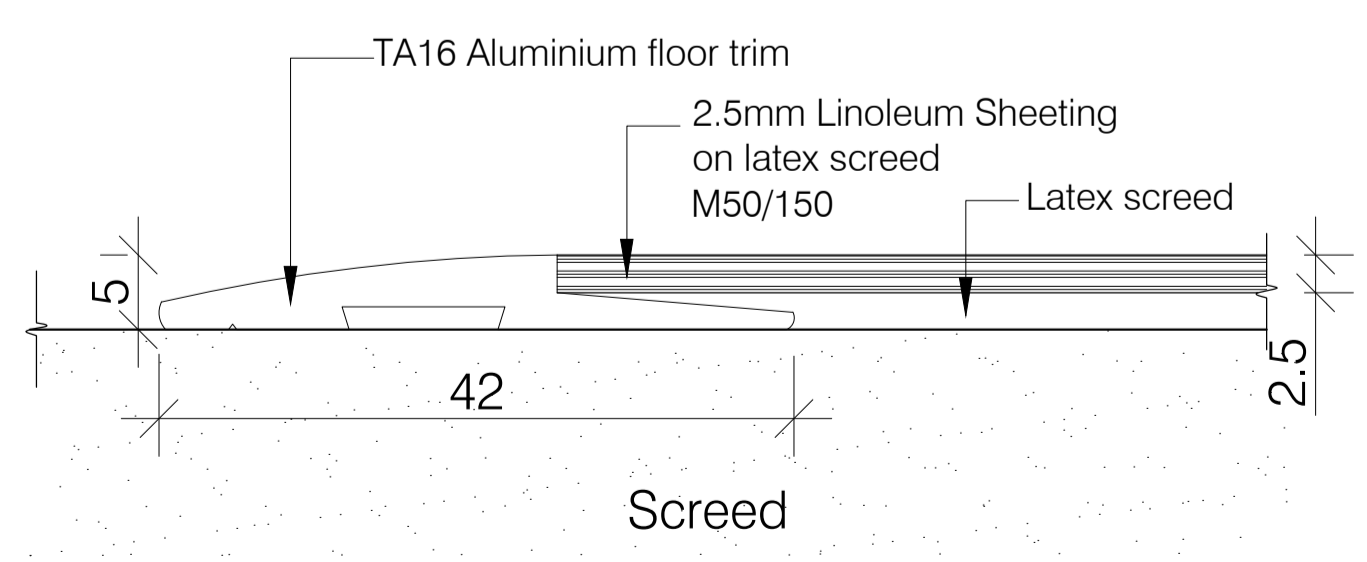
B. Transition between Terrazzo & Linoleum (Stairwell)



C. Transition between Linoleum & Carpet tiles



D. Transition between carpet tiles & Non-slip vinyl (corridor)



E. Transition between painted screed & Linoleum sheeting

BRINGING IDEAS TO LIFE

**Frankham Consultancy Group Limited**  
21 Perrymount Road  
Haywards Heath RH16 3TP  
t 01444 444900 f 01444 455642  
enquiries@frankham.com  
www.frankham.com

Client	
Project Title	Woodside Inclusive Learning Campus
Drawing Title	Second Floor Floor Finishes Arrangement Block Y

Drawn by: RKC	Scale: 1:100@A1	Date: Oct 09
Designed by: FCG	Checked by: CJ	Approved by: AC

File Ref.: 0222586-AY-119-01 - REV 01-09-09	14/09/09 14:32:21
Drawing No. 222586-AY-119	Rev. C