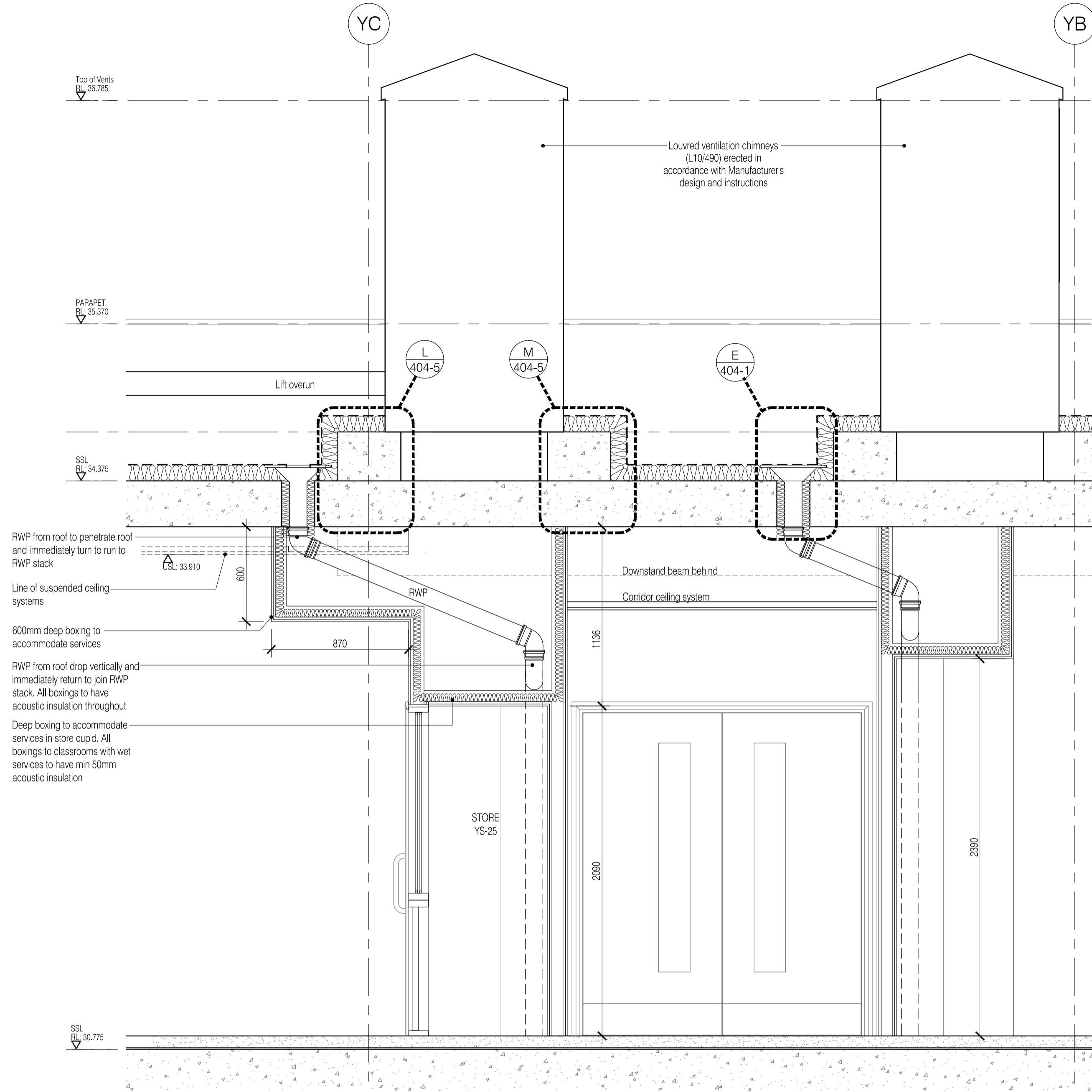
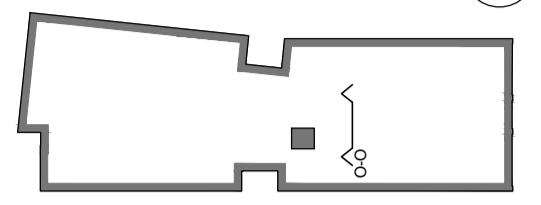
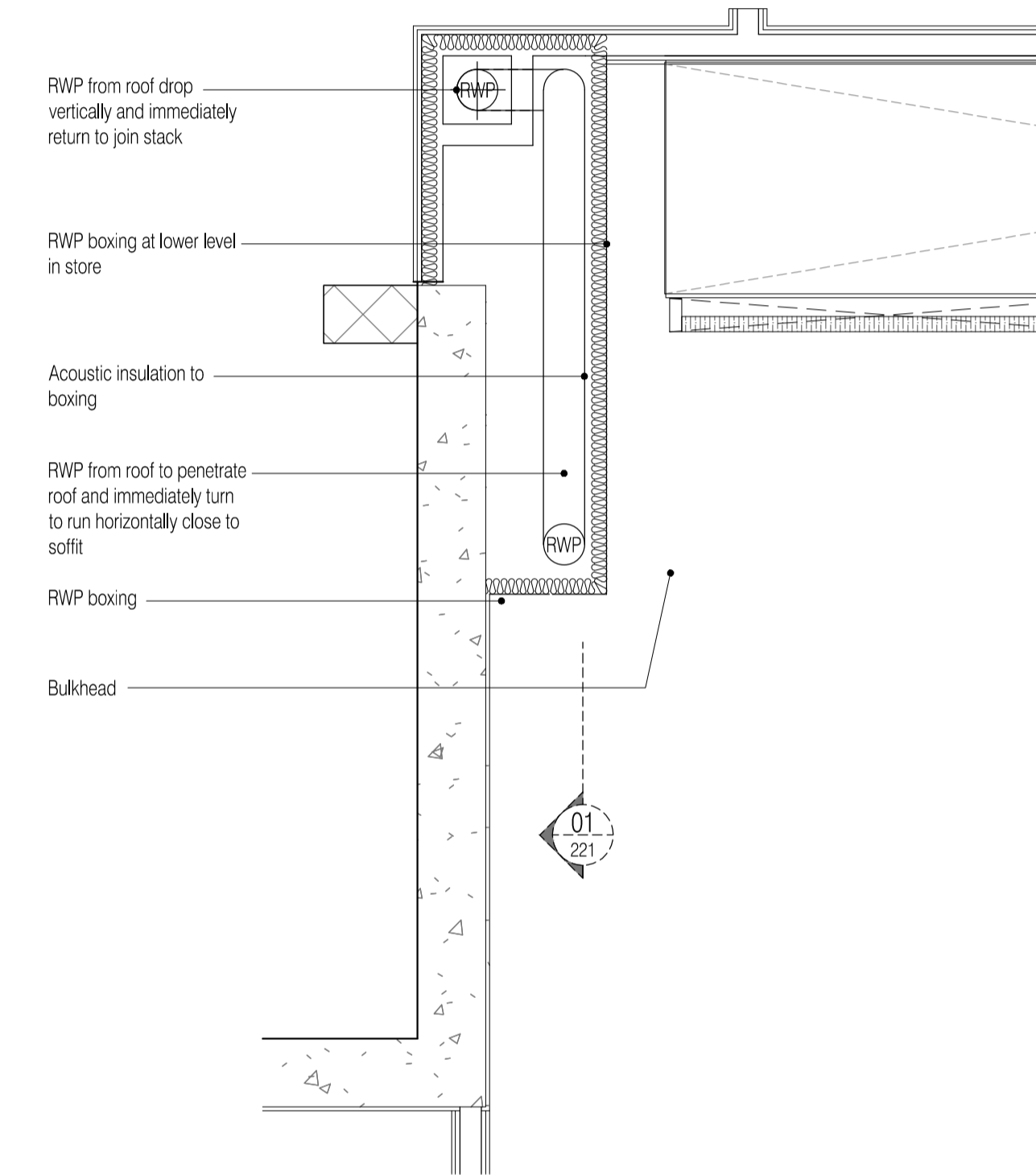
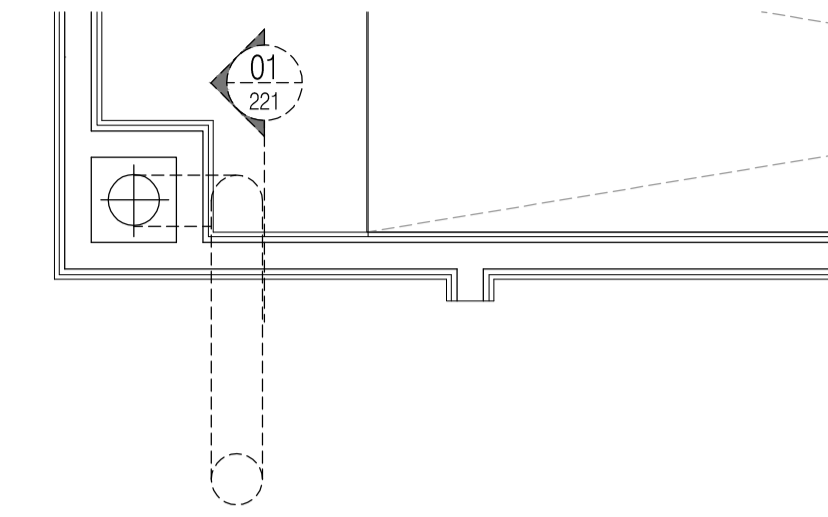


NOTES: Do not scale this drawing. All dimensions to be checked on site prior to commencement or manufacture.

KEY PLAN BLOCK Y



01 Partial Section O-O  
Scale:1:20



02 Partial Second Floor Plan  
Scale:1:20

**ISSUED FOR CONSTRUCTION**

Rev	Date	By	Clk	Comment
C	16.12.09	RKC	CJ	Gen rev'd
B	09.10.09	RKC	-	B'head/boxing rev'd
A	21.09.09	AL	-	Issued for Construction

BRINGING IDEAS TO LIFE



**FRANKHAM**

Frankham Consultancy Group Limited  
21 Perrymount Road  
Haywards Heath RH16 3TP  
t 01444 444900 f 01444 455642  
enquire@frankham.com  
www.frankham.com

Client

Project Title  
Woodside  
Inclusive Learning Campus

Drawing Title  
Partial Section O - O  
(Partial I - I mirrored)  
Block Y

Drawn by: RKC	Scale: 1:50@A1	Date: Jul 09
Designed by: FCG	Checked by: CJ	Approved by: AC

File Ref.: 022556-AY-221-REV-04-02-011 14/04/09 14:36:12

Drawing No. <b>222556-AY-221</b>	Rev. C
-------------------------------------	-----------