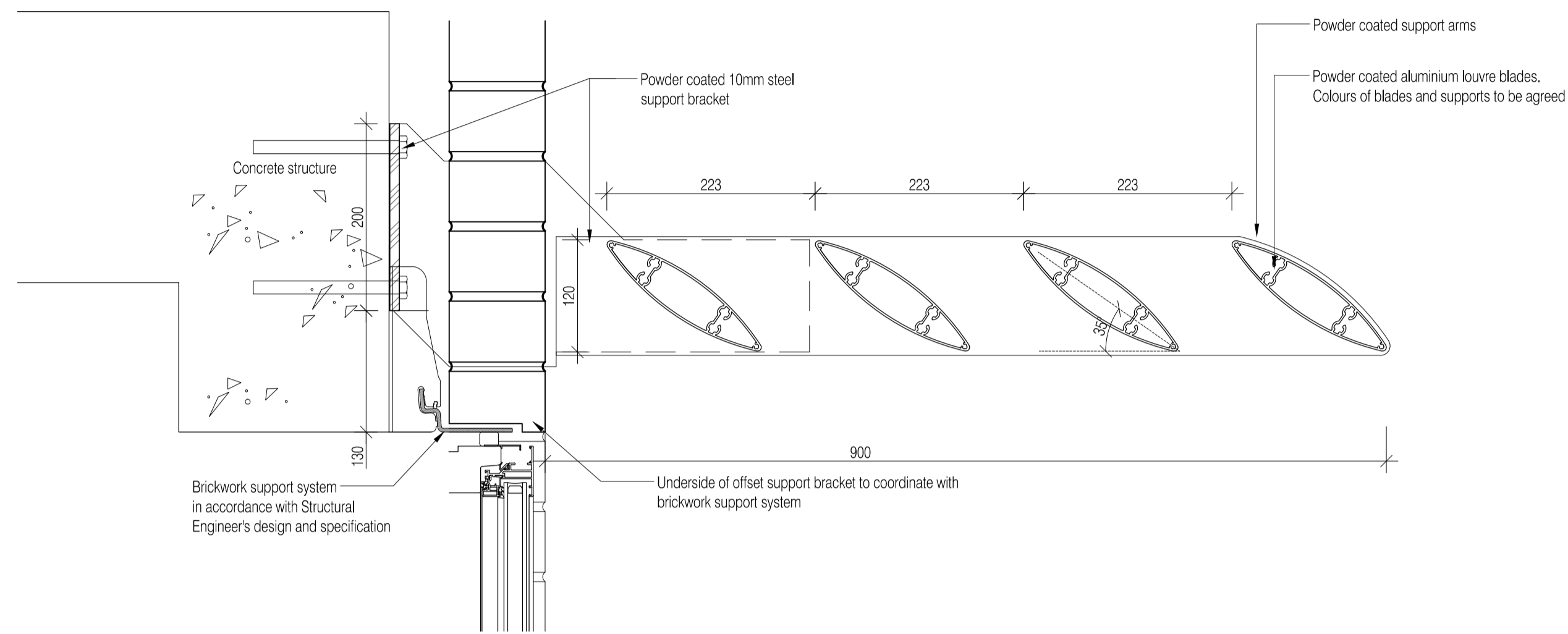
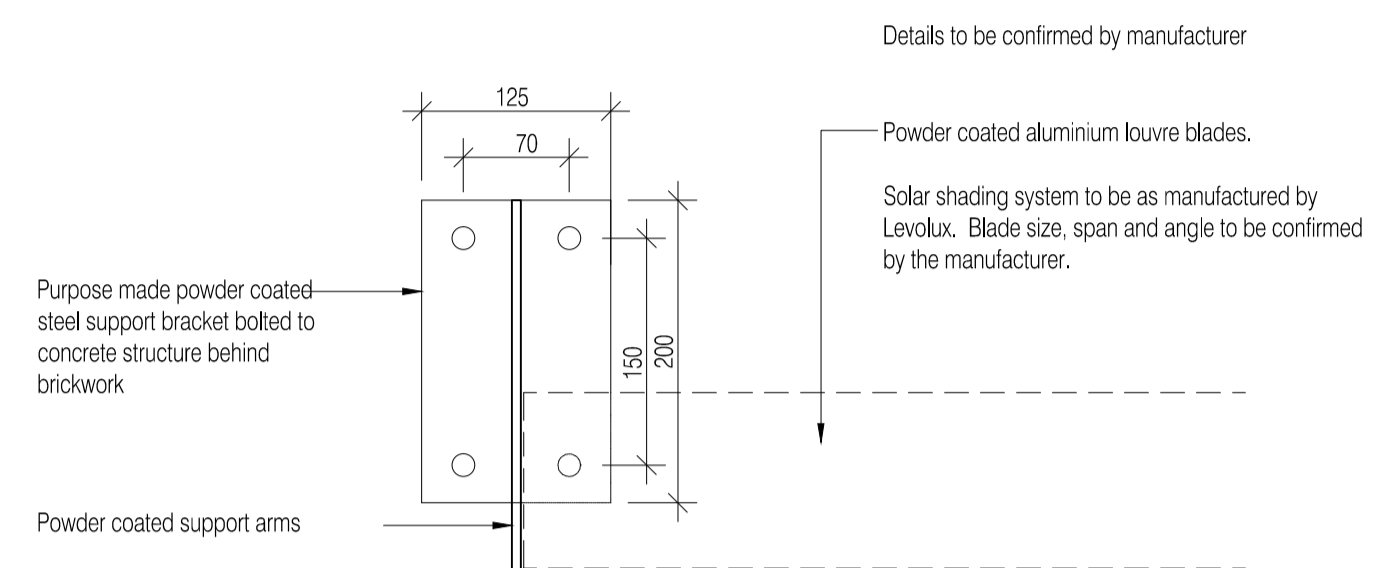


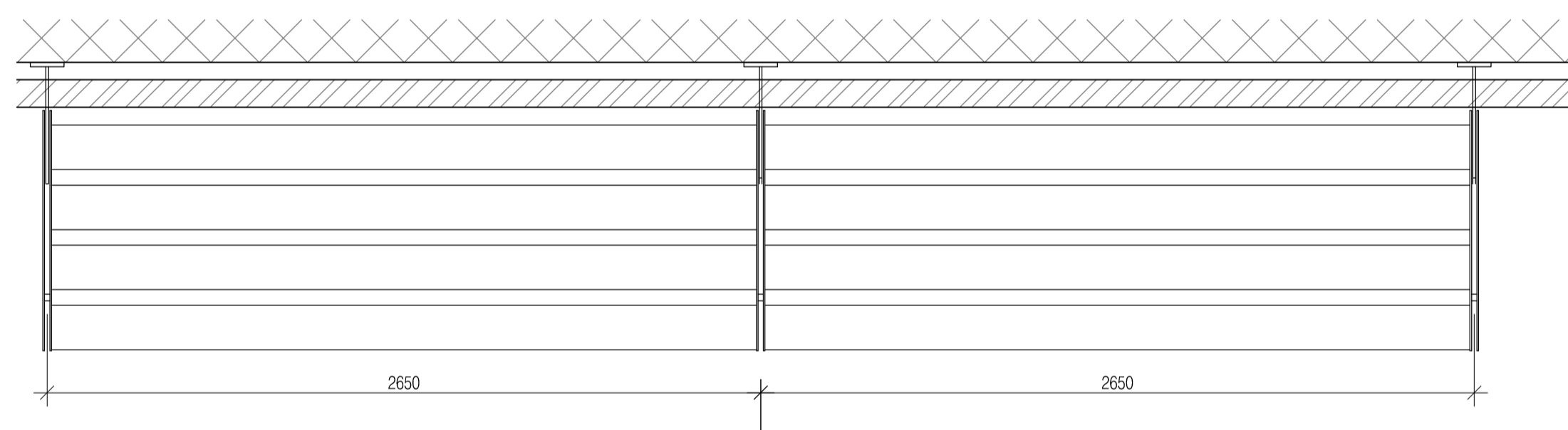
NOTES: Do not scale this drawing. All dimensions to be checked on site prior to commencement or manufacture.



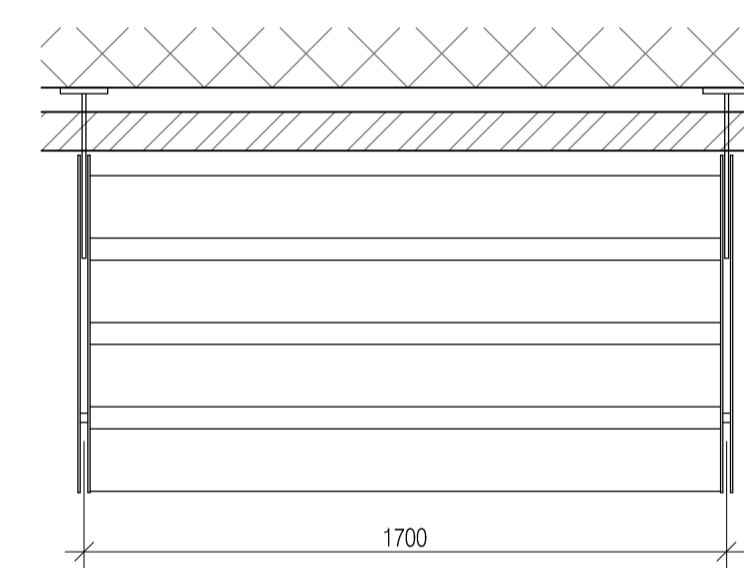
A Brise Soleil Section
Scale:1:5



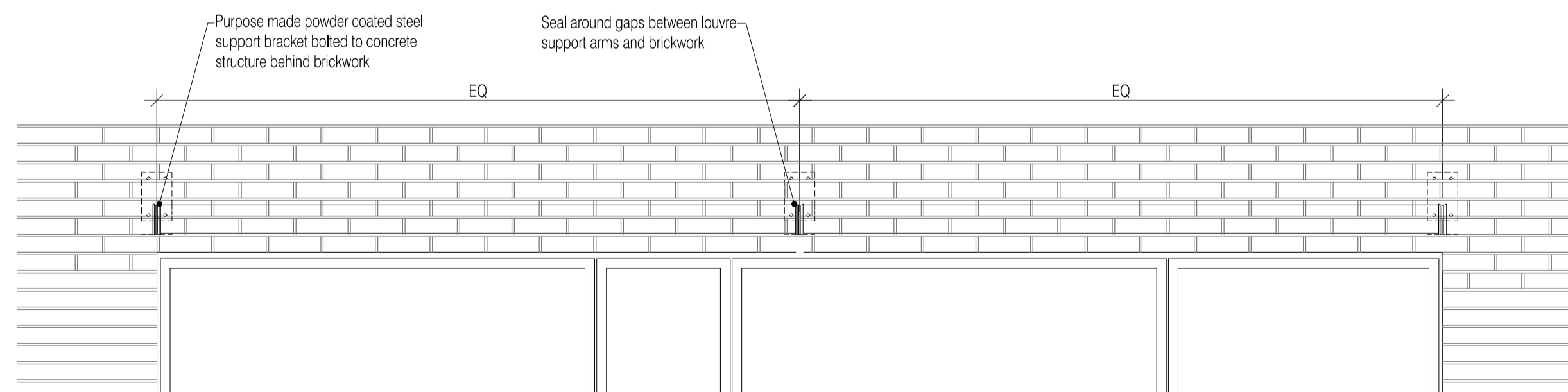
B Bracket Detail
Scale:1:5



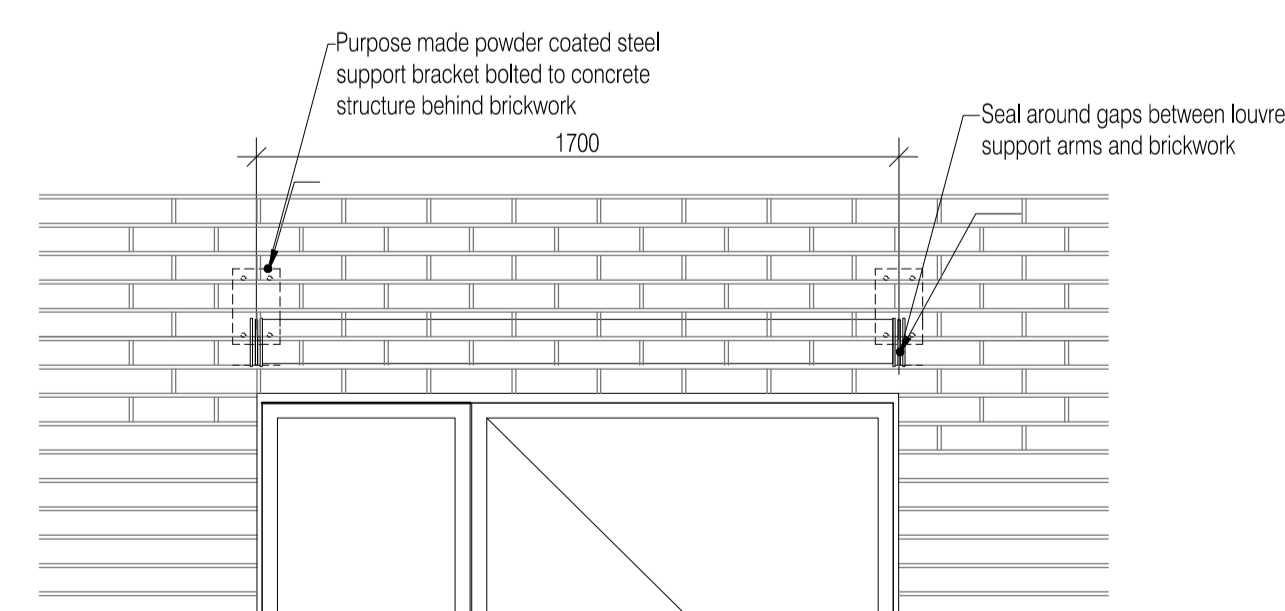
C Large Brise Soleil Plan
Scale:1:20



D Small Brise Soleil Plan
Scale:1:20



E Large Brise Soleil Elevation
Scale:1:20



F Small Brise Soleil Elevation
Scale:1:20

ISSUED FOR CONSTRUCTION

Rev	Date	By	Chk	Comment
B	14.12.09	RKC	CJ	Gen rev's
A	21.09.09	AL	-	Issued for Construction

BRINGING IDEAS TO LIFE



FRANKHAM

Frankham Consultancy Group Limited
21 Pymms Road
Haywards Heath RH16 3TP
t 01444 444900 f 01444 455642
enquire@frankham.com
www.frankham.com

Client

Project Title
Woodside
Inclusive Learning Campus

Drawing Title
Brise Soleil Details
Block Y

Drawn by: RKC	Scale: 1:5, 1:20@A1	Date: Jul 09
Designed by: FCG	Checked by: CJ	Approved by: AC

File Ref.: 0200020206-4002020206-0001404040_00_0014_00404040
222586-AY-407 - Rev 9 14/07/09 14/07/09 14/07/09

Drawing No. 222586-AY-407	Rev. B
------------------------------	-----------