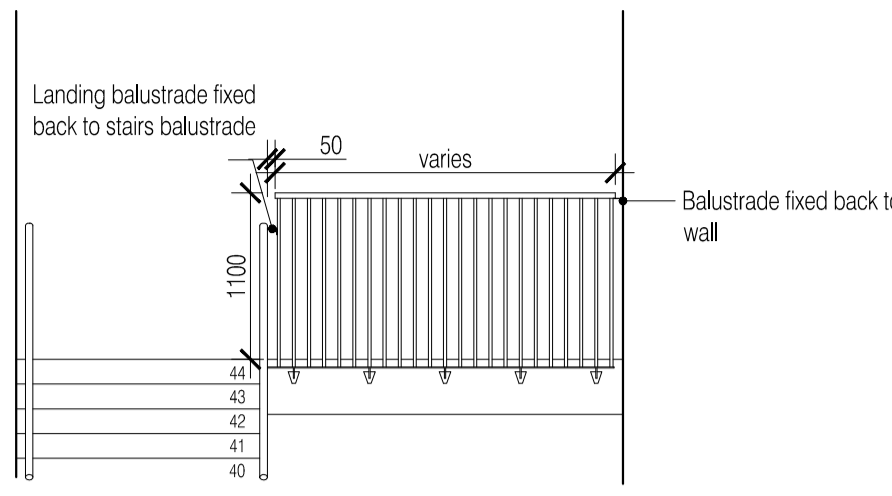
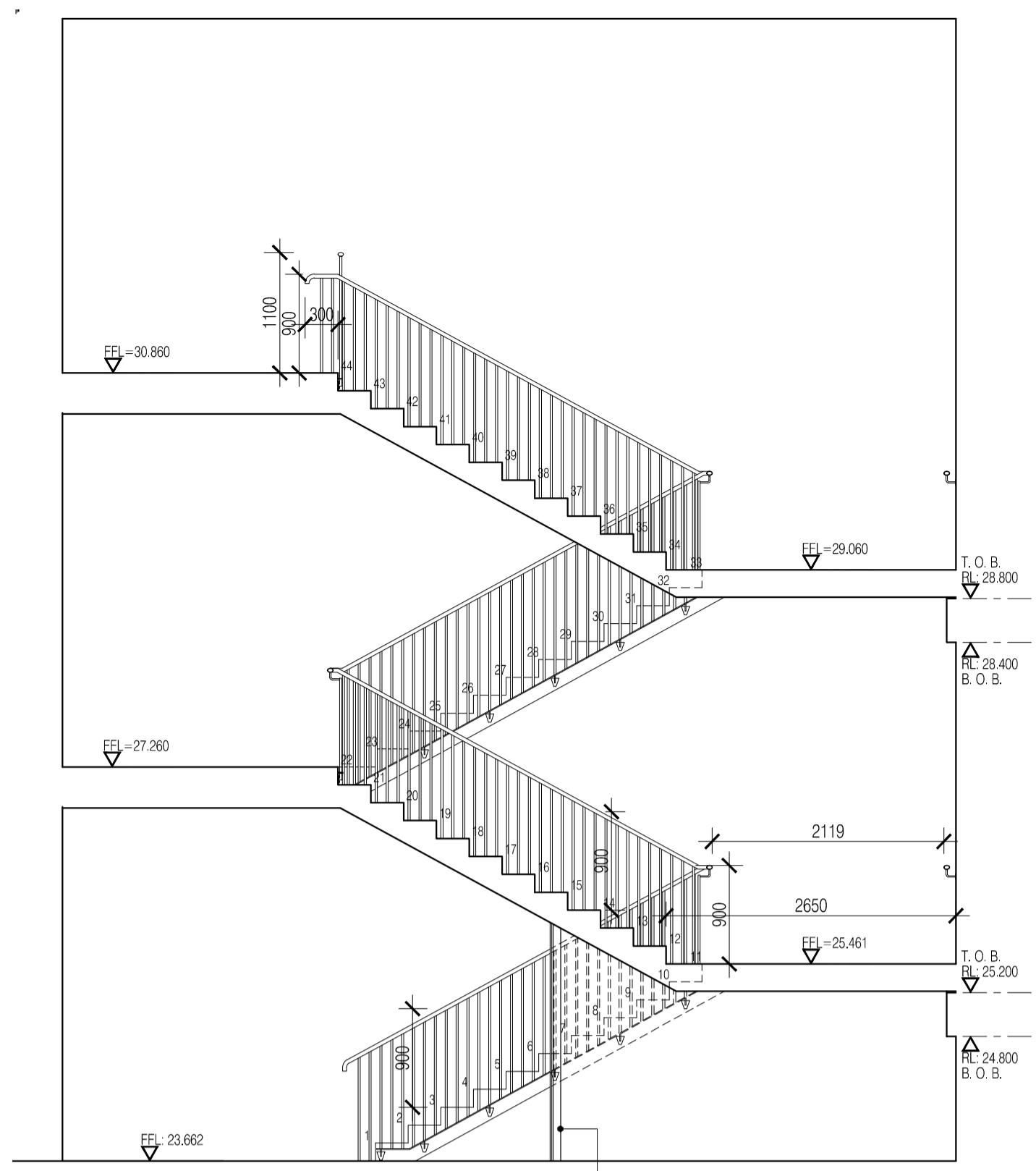


NOTES: Do not scale this drawing. All dimensions to be checked on site prior to commencement or manufacture.

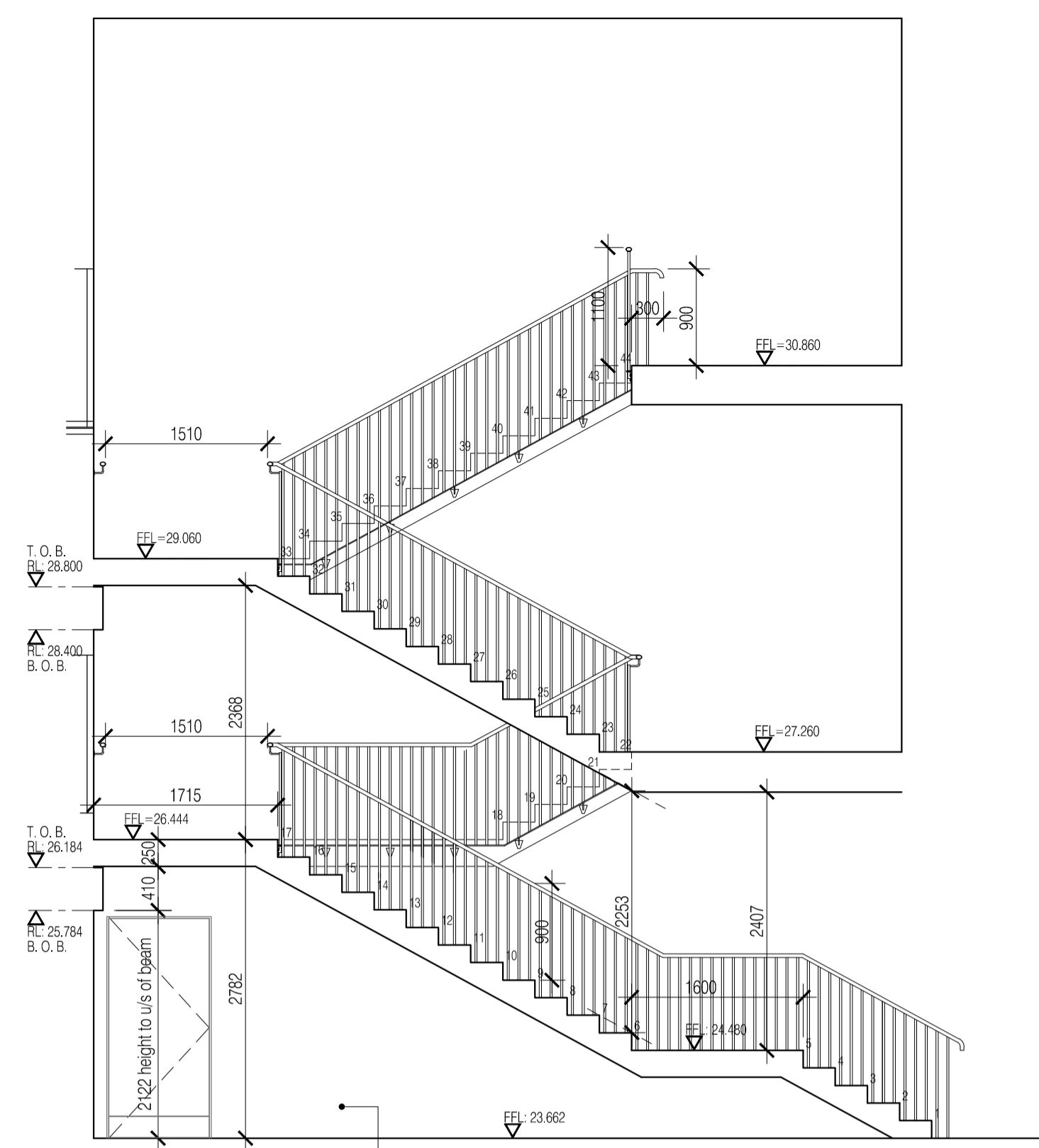


01 Second Floor Landing Elevation
Scale:1:50



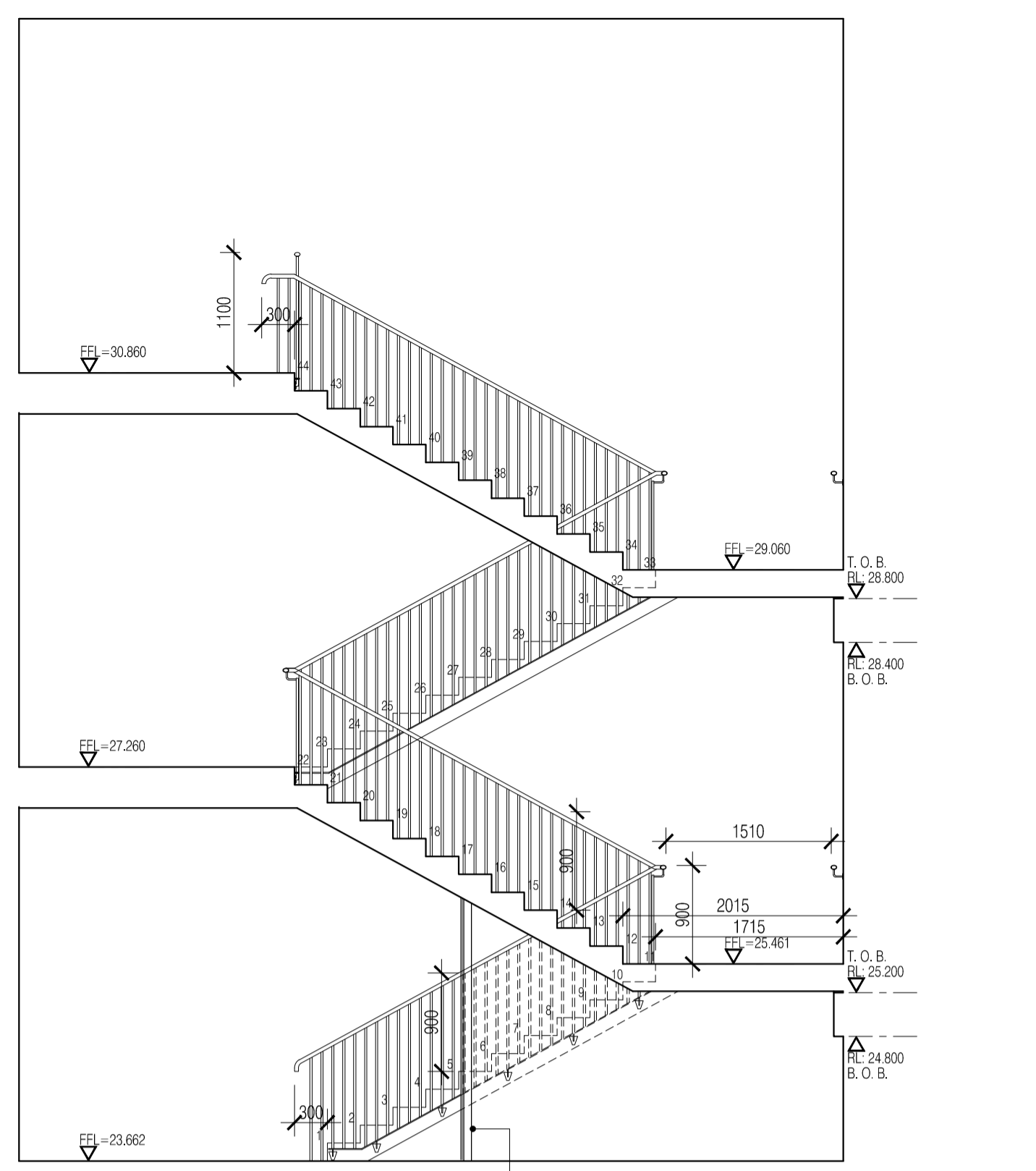
02 Stair 01 Section
Scale:1:50

Metal stud to underside of stairs with 1 layer 12.5mm and 1 layer 15mm plasterboard to outside face. Wall to run flush with string and around to foot of stair.



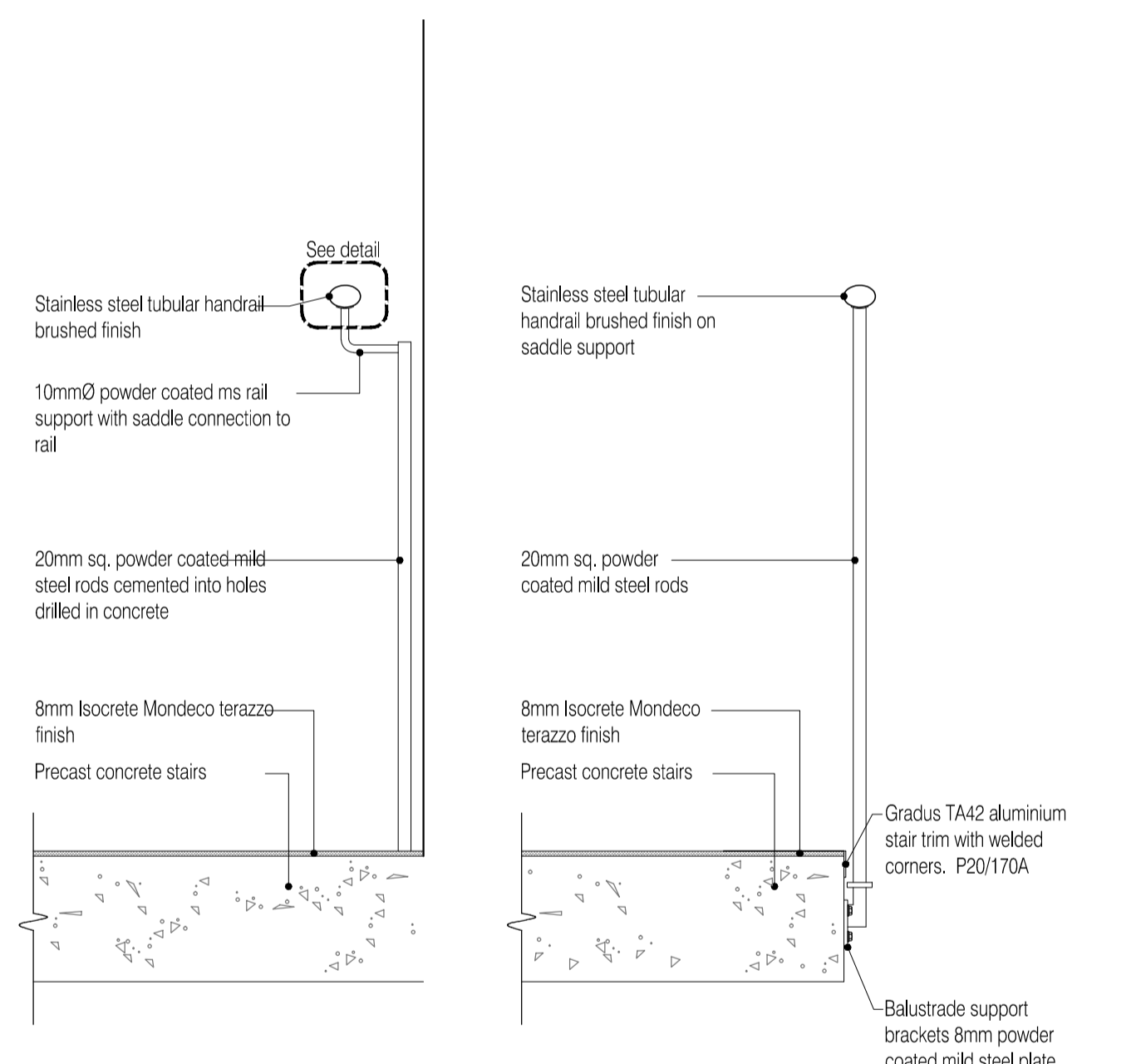
03 Stair 02 Section
Scale:1:50

Metal stud to underside of stairs to form store with 1 layer 12.5mm and 1 layer 15mm plasterboard to outer and inner faces. Wall to run flush with string and around to foot of stair.

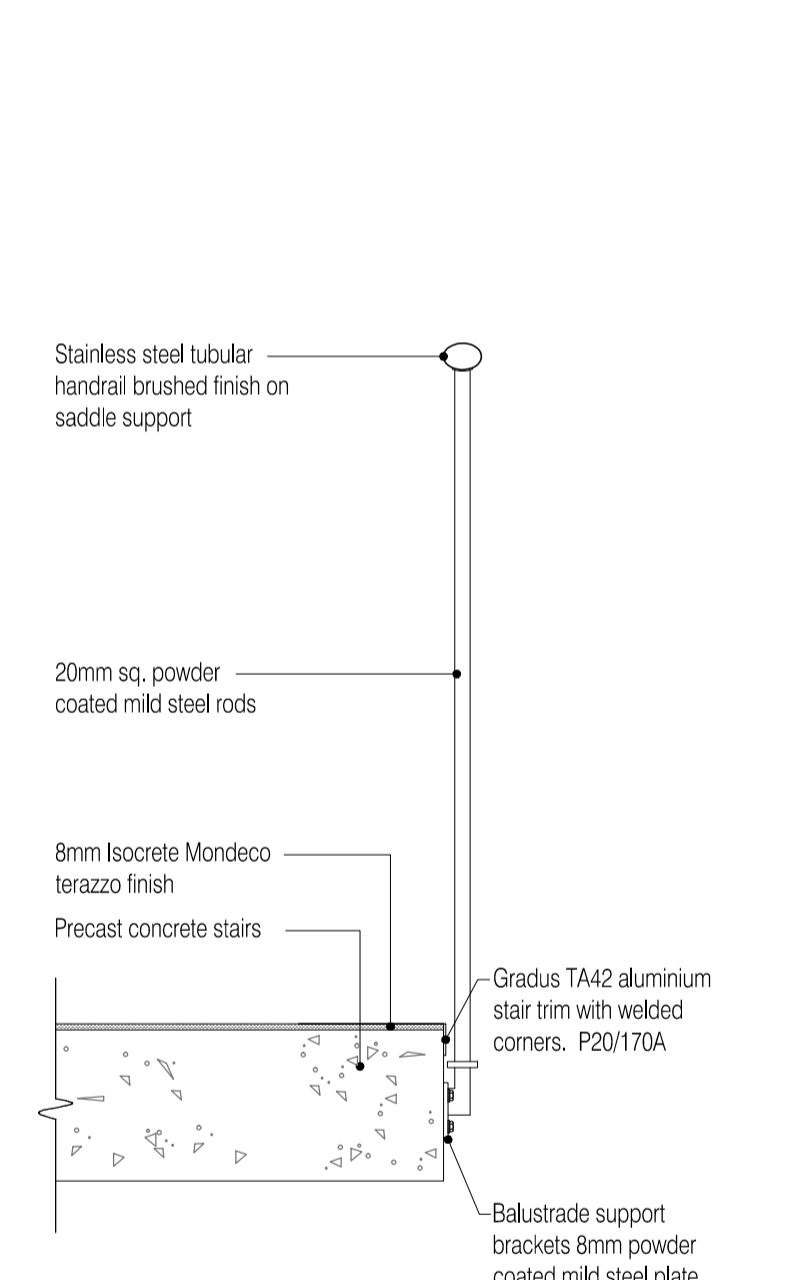


04 Stair 03 Section
Scale:1:50

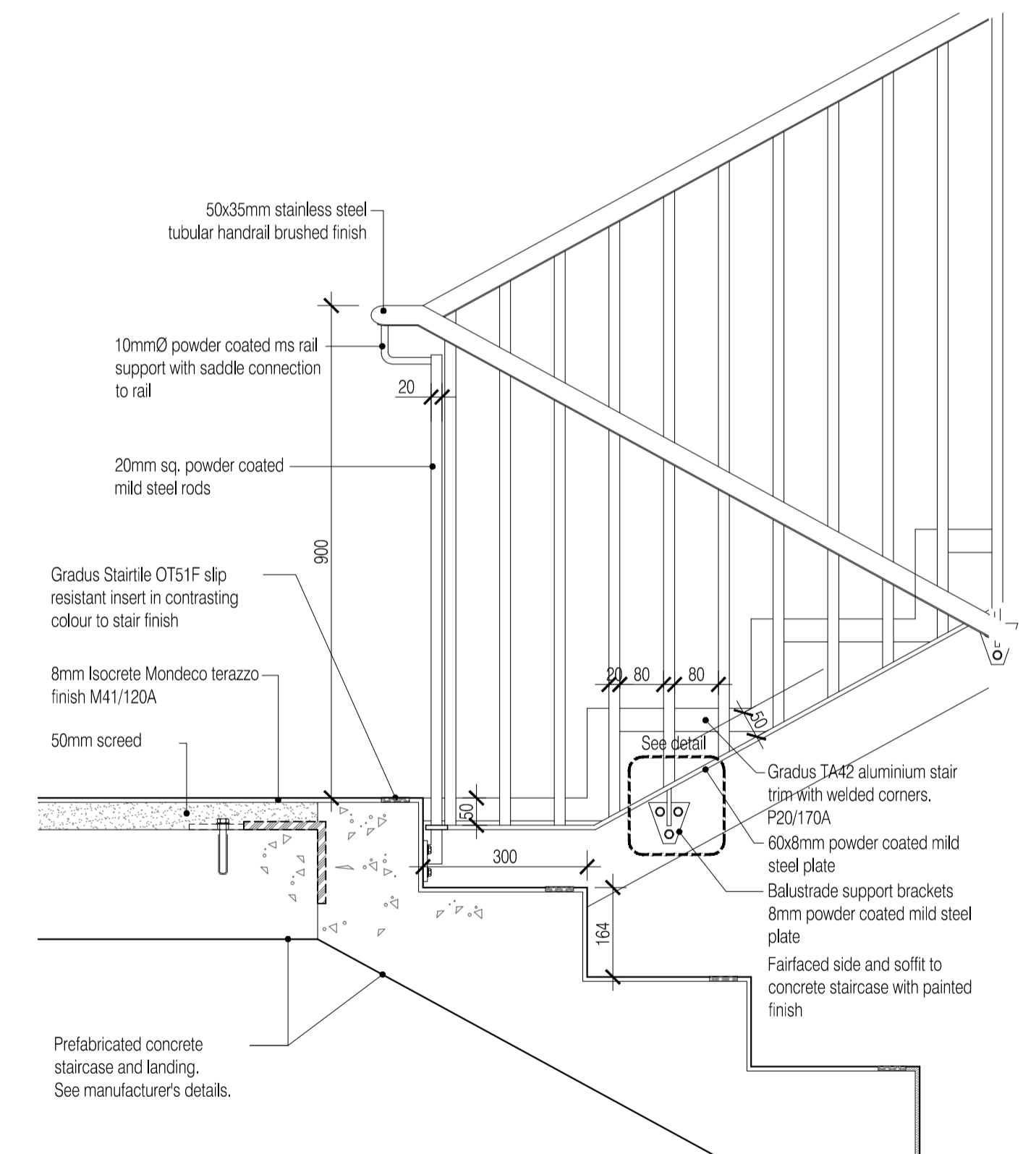
Metal stud to underside of stairs with 1 layer 12.5mm and 1 layer 15mm plasterboard to outside face. Wall to run flush with string and around to foot of stair.



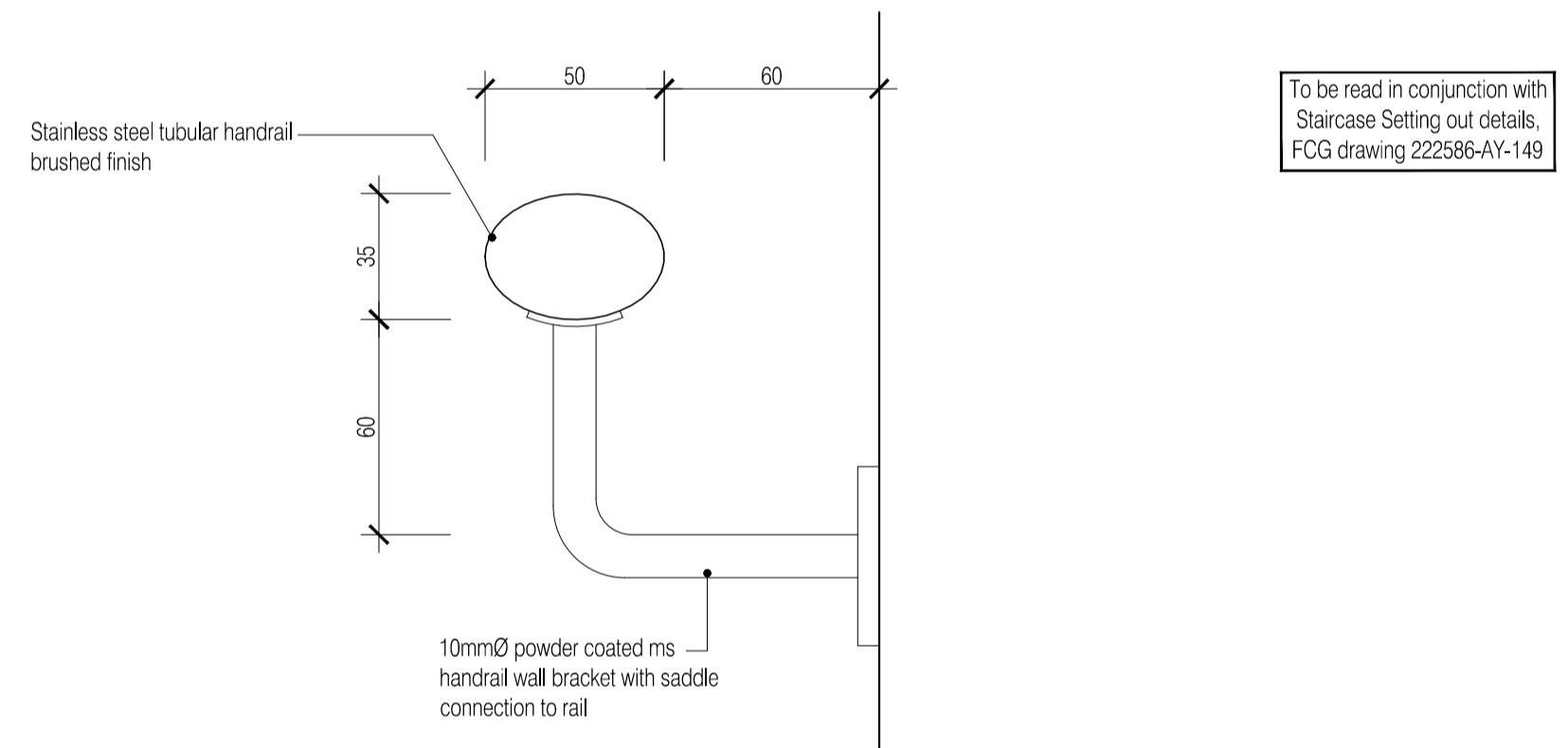
05 Handrail Support Detail
Scale:1:10



06 Balustrade Detail
Scale:1:10

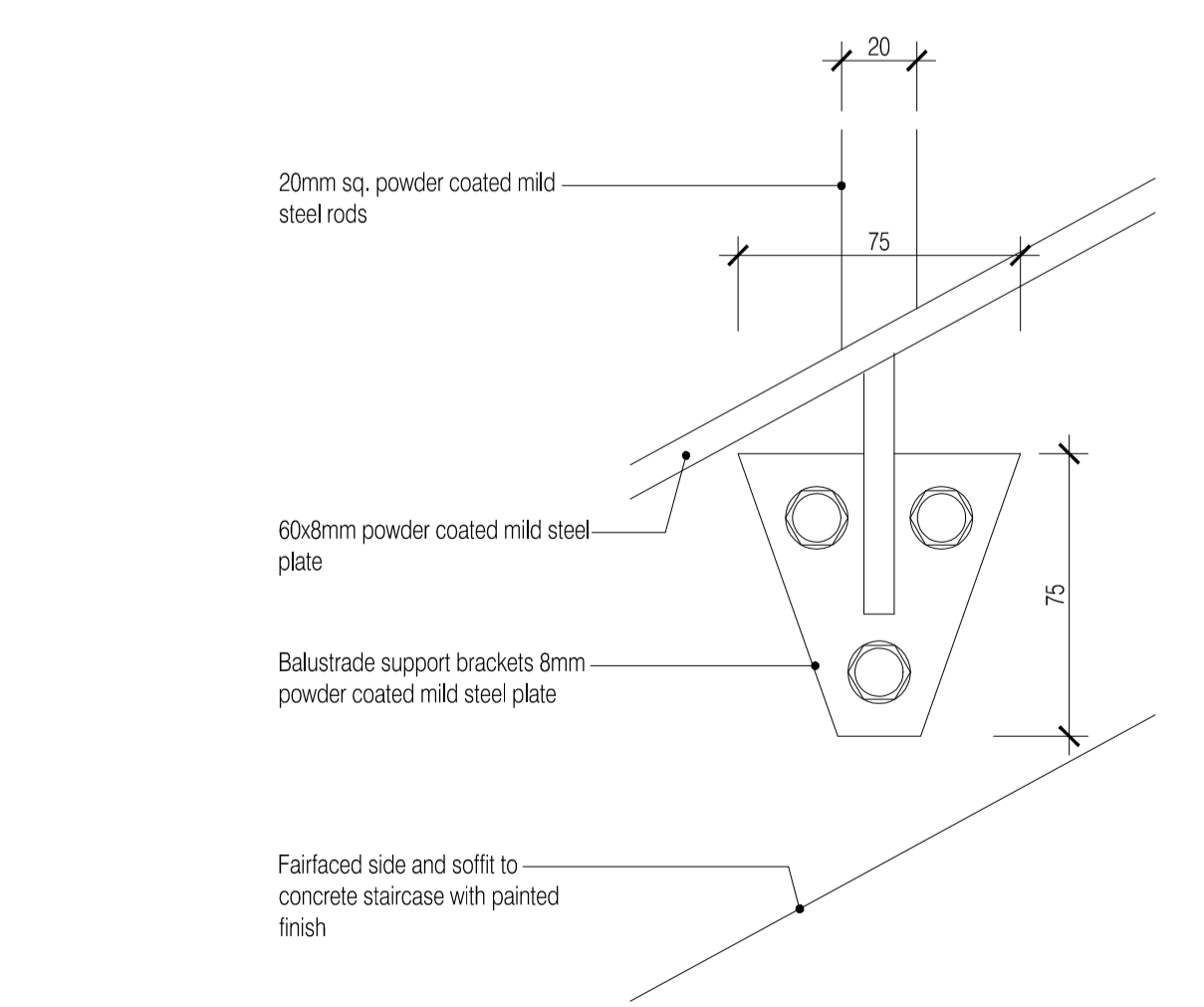


07 Landing Section Detail
Scale:1:10



08 Wall Mounted Handrail Detail
Scale:1:2

To be read in conjunction with Staircase Setting out details, FCG drawing 222586-AY-149



STRING MOUNTED BALLUSTER SUPPORT

09 String Mount Detail
Scale:1:2

ISSUED FOR CONSTRUCTION

Rev	Date	By	Chk	Comment
B	14.12.09	RKC	CJ	Studs inserted
A	21.09.09	AL	-	Issued for Construction

BRINGING IDEAS TO LIFE

FRANKHAM

Frankham Consultancy Group Limited
21 Perrymount Road
Haywards Heath RH16 3TP
t 01444 444900 f 01444 455642
enquire@frankham.com
www.frankham.com

Client: **APOLLO EDUCATION**

Project Title: **Woodside Inclusive Learning Campus**

Drawing Title: **Staircase Details**

Drawn by: RKC	Scale: 1:50, 1:10@A1	Date: Jul 09
Designed by: FCG	Checked by: CJ	Approved by: AC
File Ref.: 0100000008-40020008/02X/FCH/401_08_DETAL_040410/03 222586-AY-149 - Rev 9 - 14/07/10/09	14/04/09/14/09/09	
Drawing No. 222586-AY-413		Rev. B