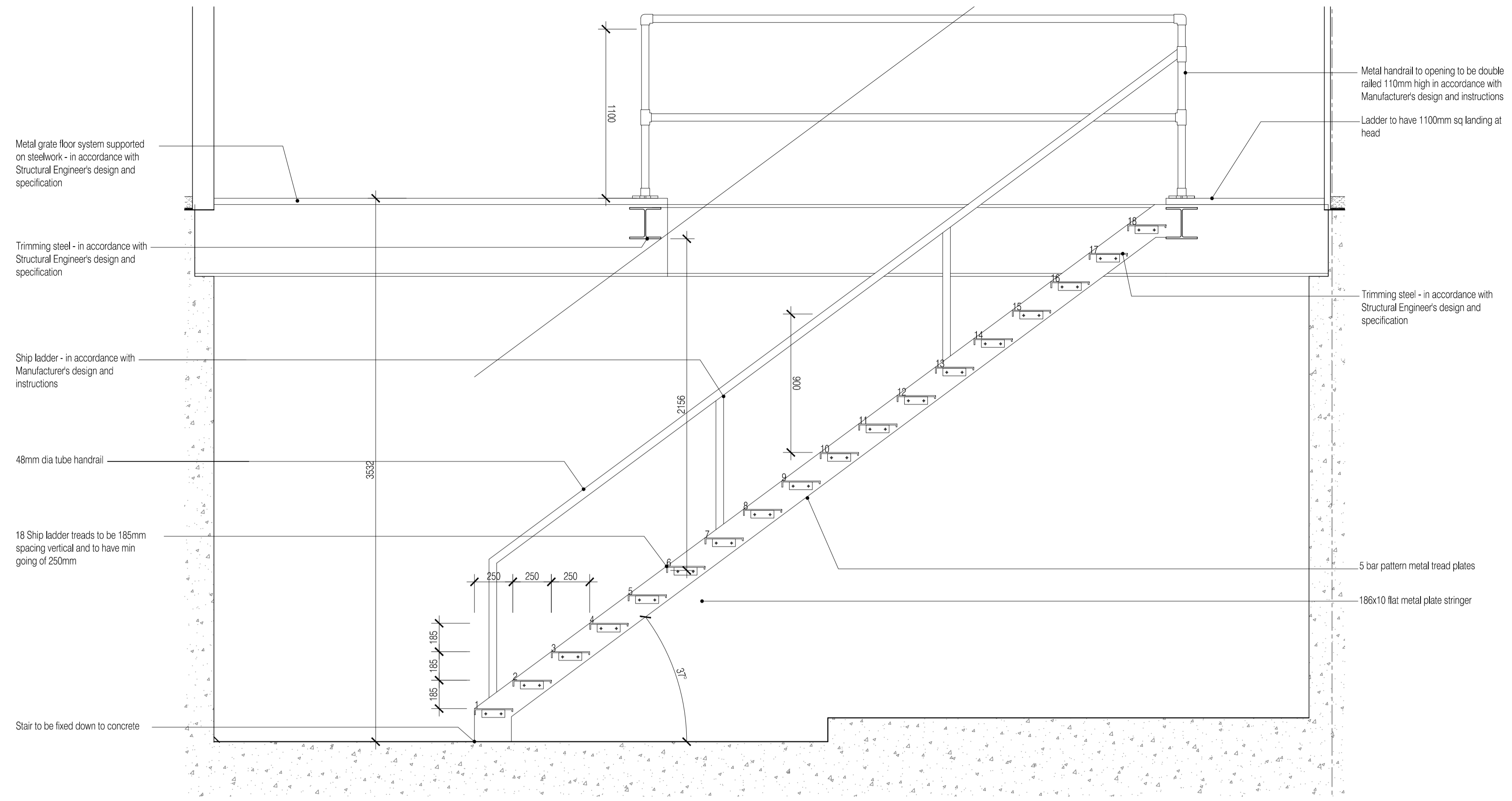
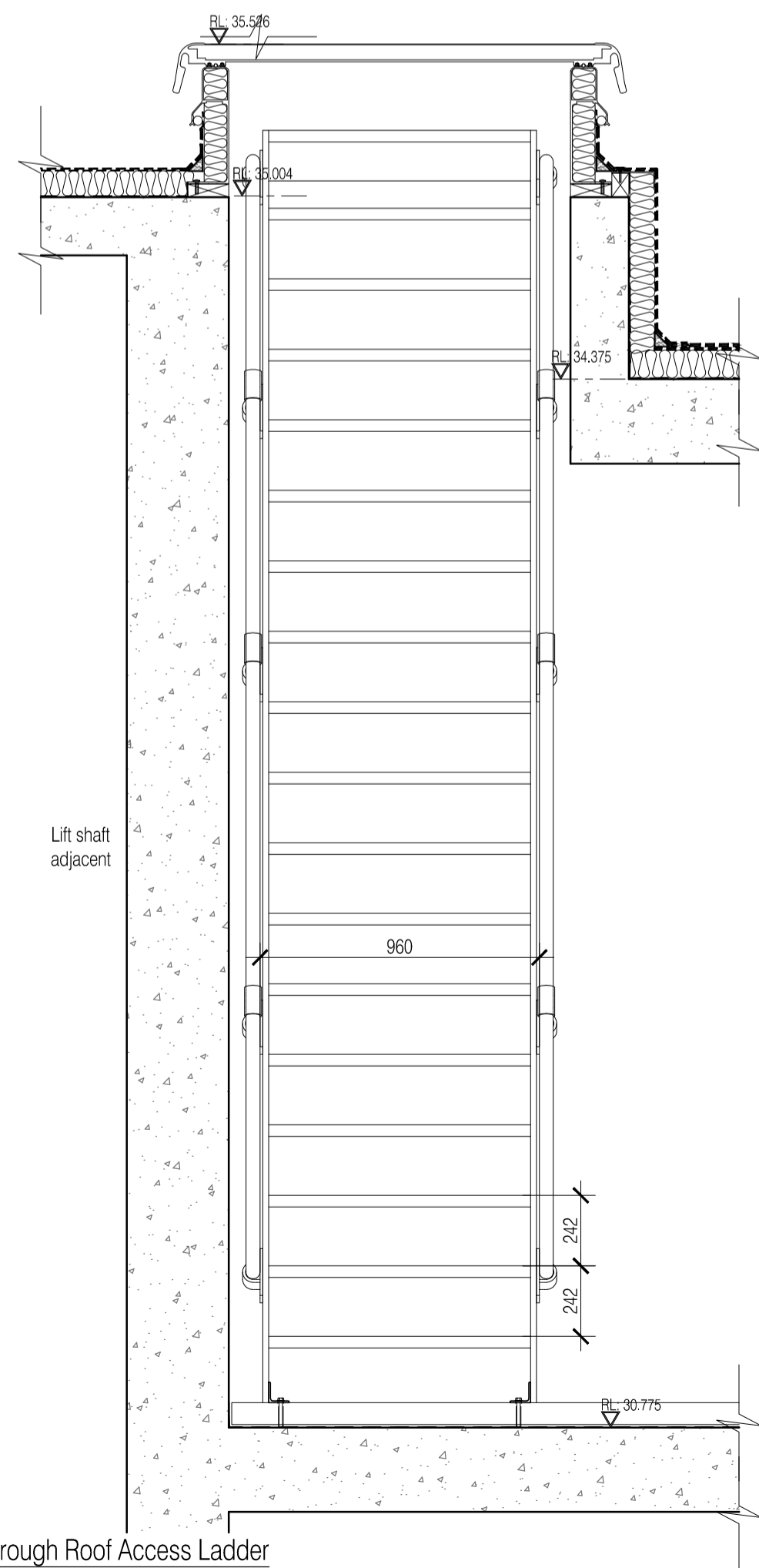


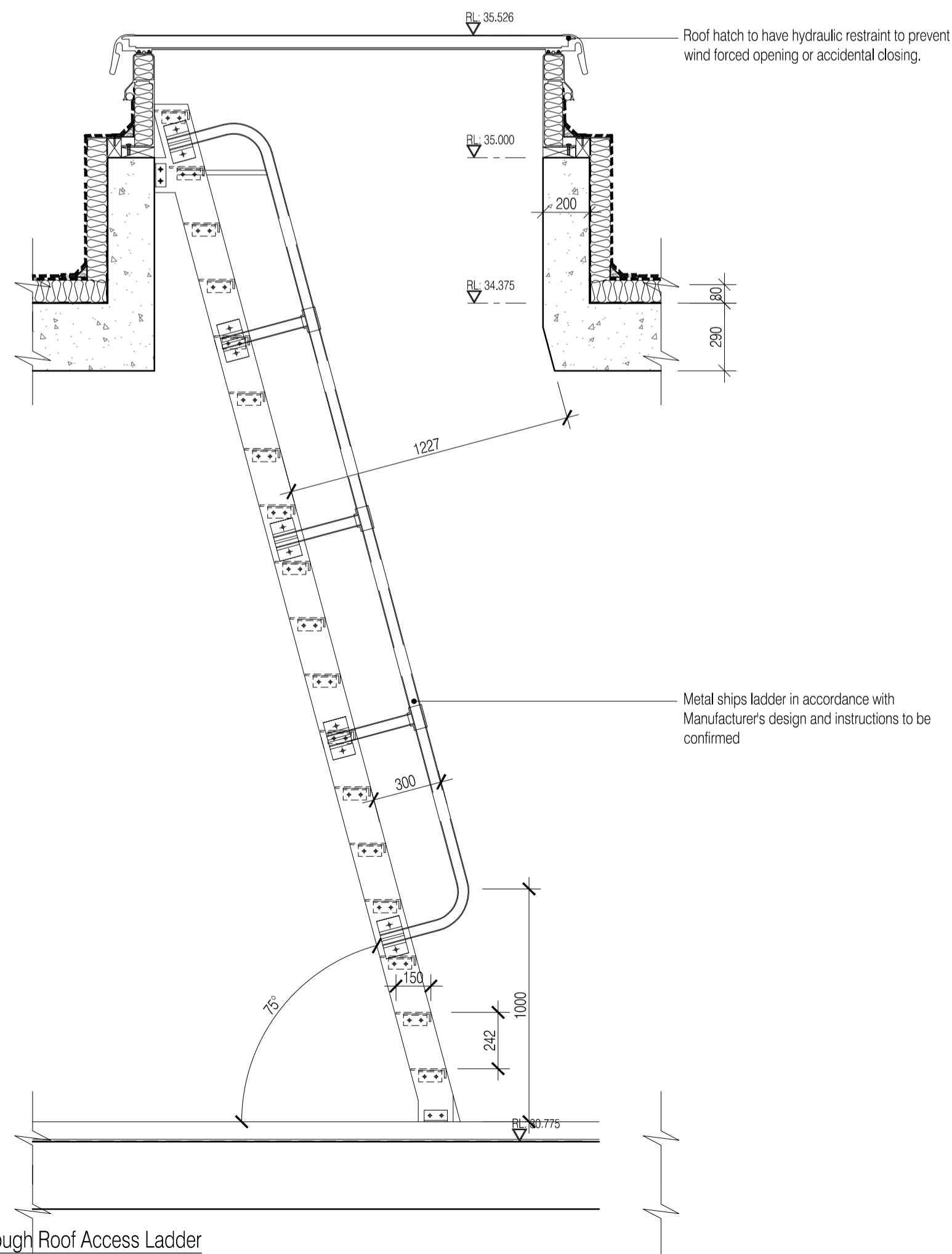
01 Frontal Elevation Through Basement Ladder
Scale: 1:20



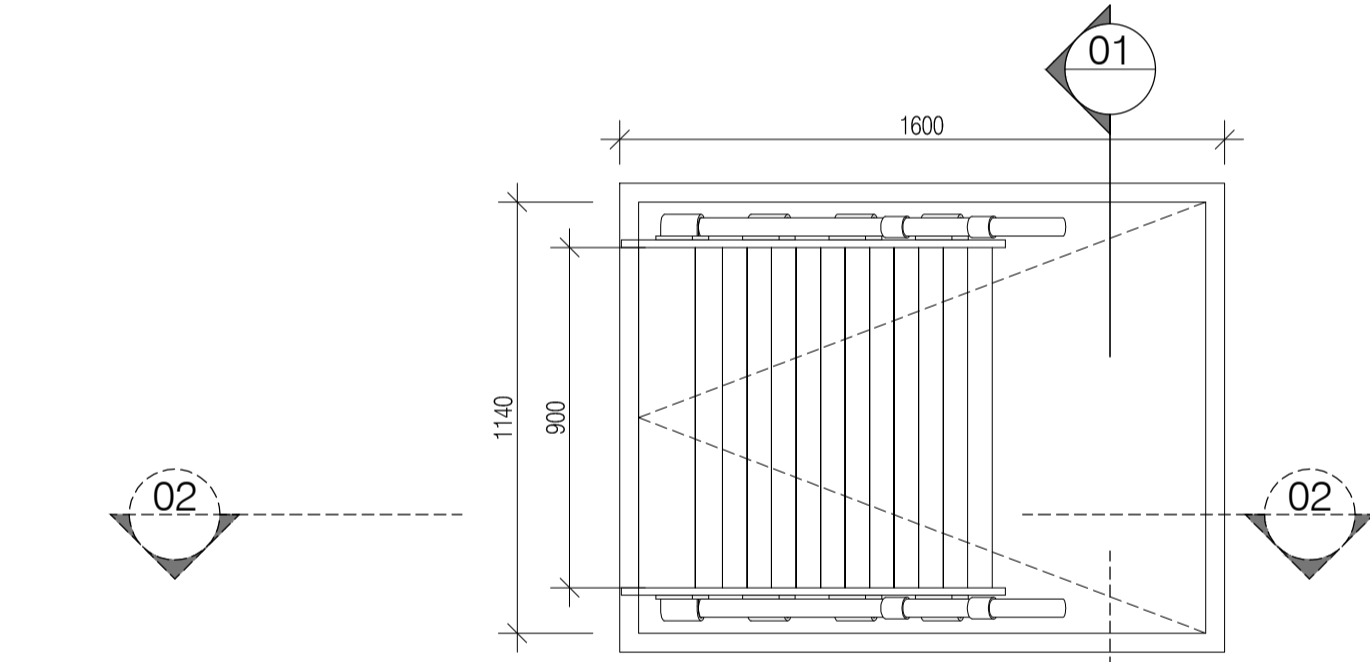
02 Side Section through Basement Ladder
Scale: 1:20



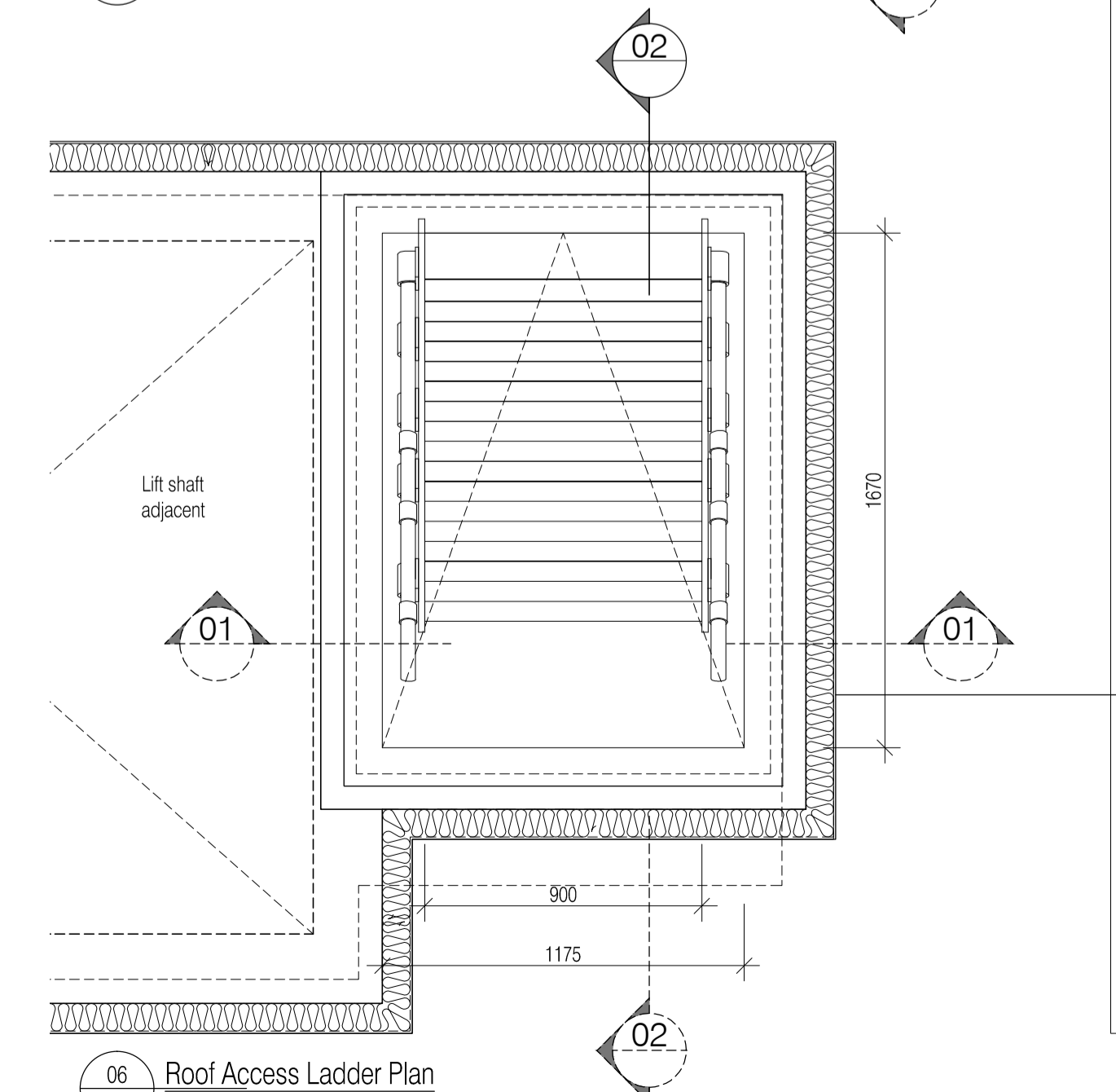
04 Frontal Elevation through Roof Access Ladder
Scale: 1:20



05 Section through Roof Access Ladder
Scale: 1:20

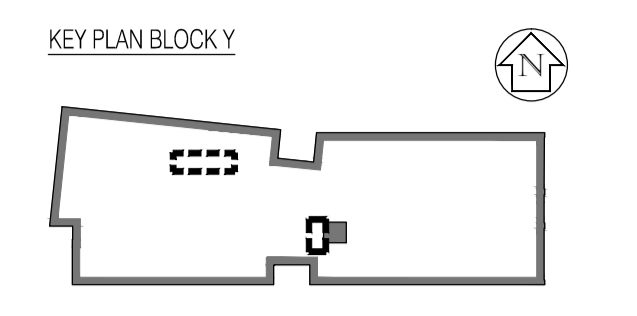


03 Basement Access Ship Ladder Plan
Scale: .



06 Roof Access Ladder Plan
Scale: 1:20

NOTES: Do not scale this drawing. All dimensions to be checked on site prior to commencement or manufacture.



ISSUED FOR CONSTRUCTION

Rev	Date	By	Chk	Comment
A	14.12.09	RKC	CJ	Issued for Construction

BRINGING IDEAS TO LIFE

FRANKHAM

Frankham Consultancy Group Limited
21 Perrymount Road
Haywards Heath RH16 3TP
t 01444 444900 f 01444 455642
enquire@frankham.com
www.frankham.com

Client		
Project Title	Woodside Inclusive Learning Campus	
Drawing Title	Proposed Roof and Basement Access Ladder Details	
Drawn by:	RKC	Scale: 1:20@A1
Designed by:	FCG	Date: Nov-09
Checked by:	CJ	Approved by: AC
File Ref.:	C:\projects\222586-AY-417\222586-AY-417.dwg 14/12/09 14:49:00	
Drawing No.	222586-AY-417	Rev. A