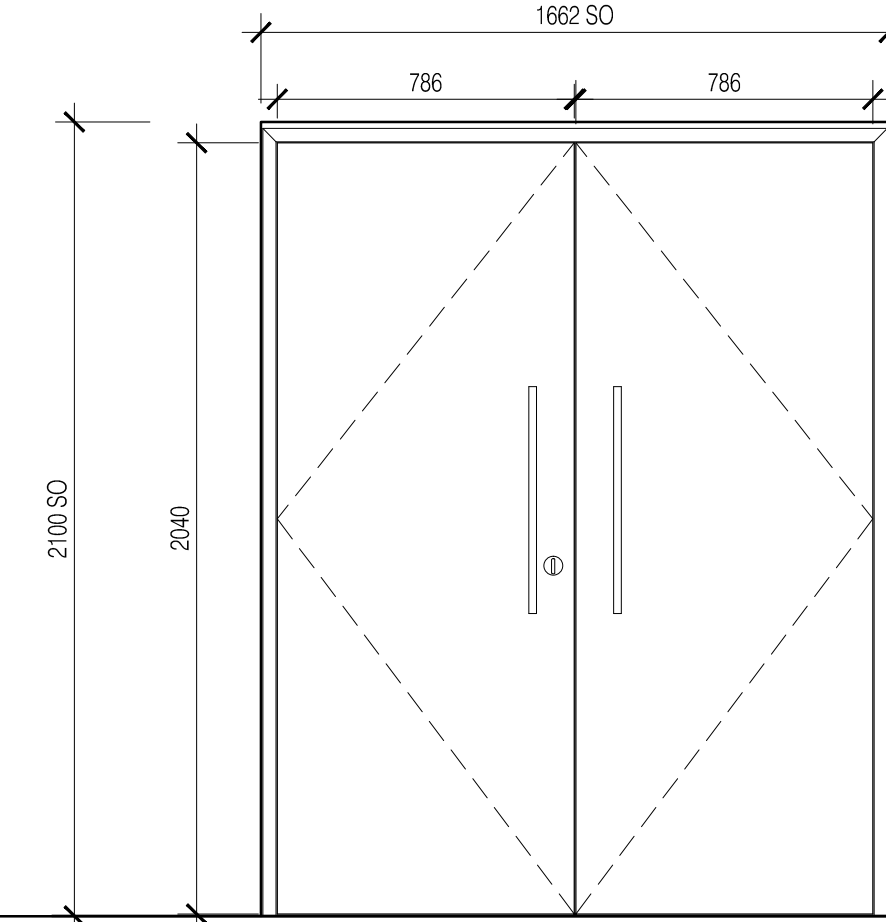
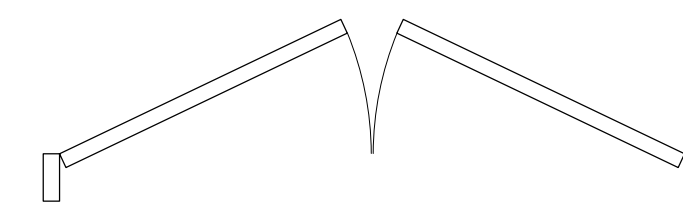
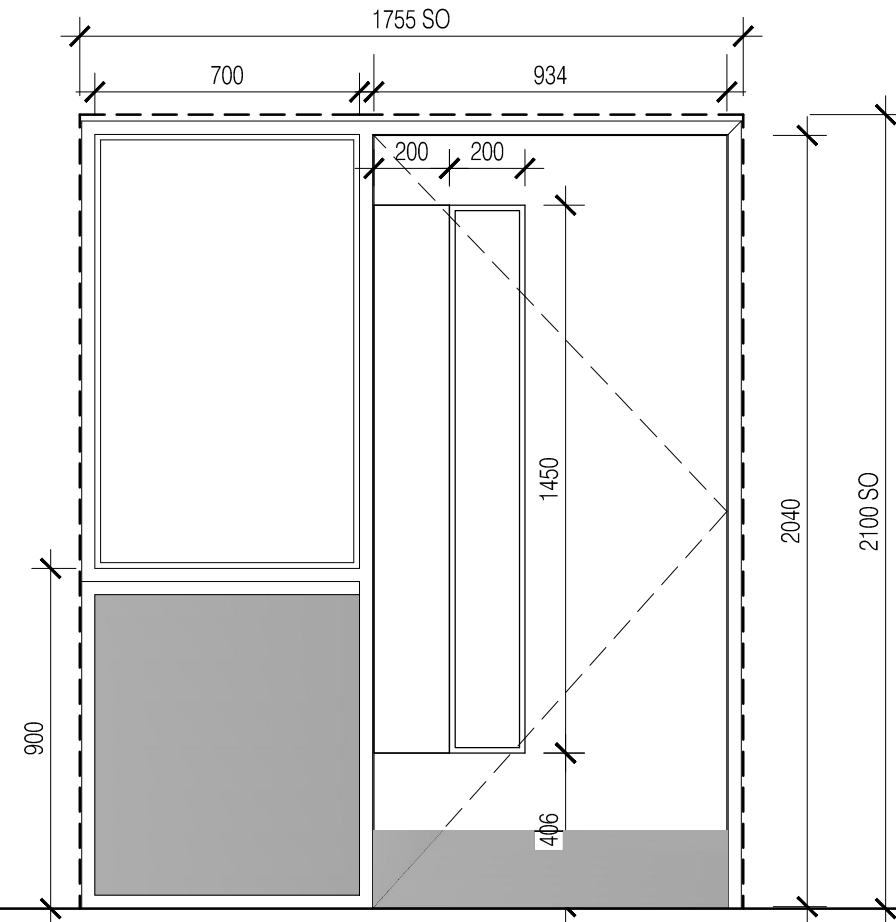
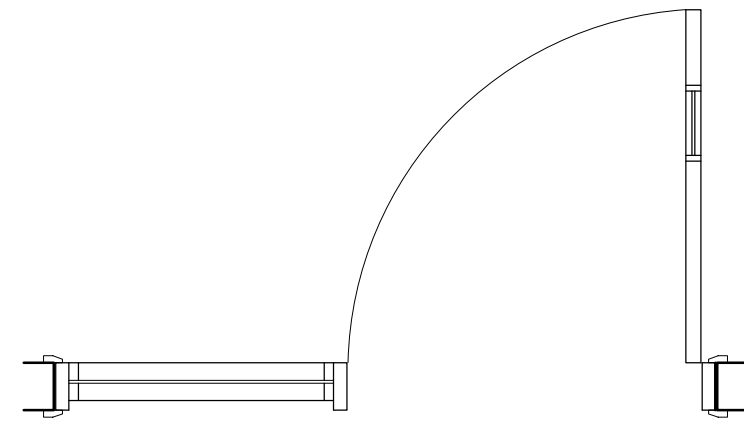
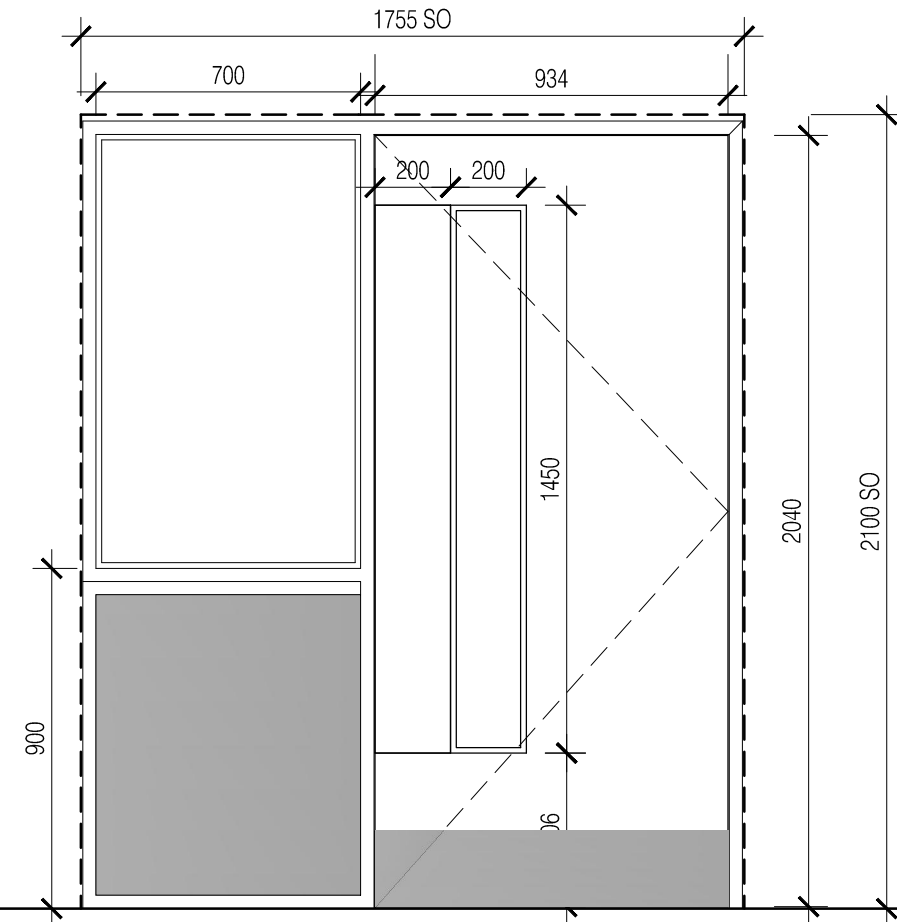
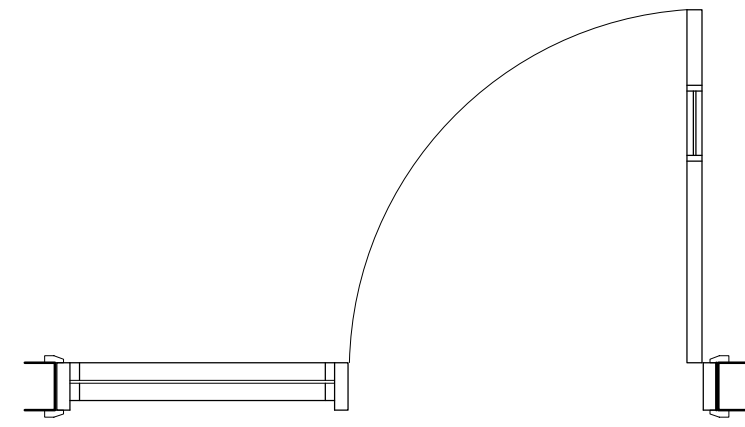


NOTES: Do not scale this drawing. All dimensions to be checked on site prior to commencement or manufacture.



TYPE A - Classrooms

NBS Specification	S/O	FR	RW(db)	Ironmongery Set	Door Reference	Room Reference
L20/156 Typical Internal timber door & glazed screen Assembly	1755mm Wide 2040mm Tall	-	30RW(db)	3 no Hinge 1 no Alite D/Closer adj 2-5 c/w BC 1 no Profile cylinder 1 no Allgood deadlock 2 no Allgood cylinder rose 1 no Alite 670x20mm BT Pull Handles 1 no 1450x200x1.6mm p/plate c/w round corners 1 no Floor door stop 2 no 934x200x1.5mm Kick Plate drilled & csk c/w screws 1 no Heavy adjustable roller catch	DYG-02, DYG-04 DYG-06, DYG-14 DYG-17, DYG-19 DYG-26, DYG-28 DYG-30, DYG-37 DYG-39 DYF-02, DYF-03 DYF-04, DYF-12, DYF-15 DYF-23, DYF-24 DYF-25, DYF-31 DYF-32, DYF-33	YG-33, YG-32 YG-30, YG-25 YG-24, YG-22 YG-16, YG-14 YG-13, YG-04 YG-02, YF-22, YF-21 YF-20, YF-17, YF-14 YF-12, YF-11 YF-10, YF-03 YF-03, YF-01.

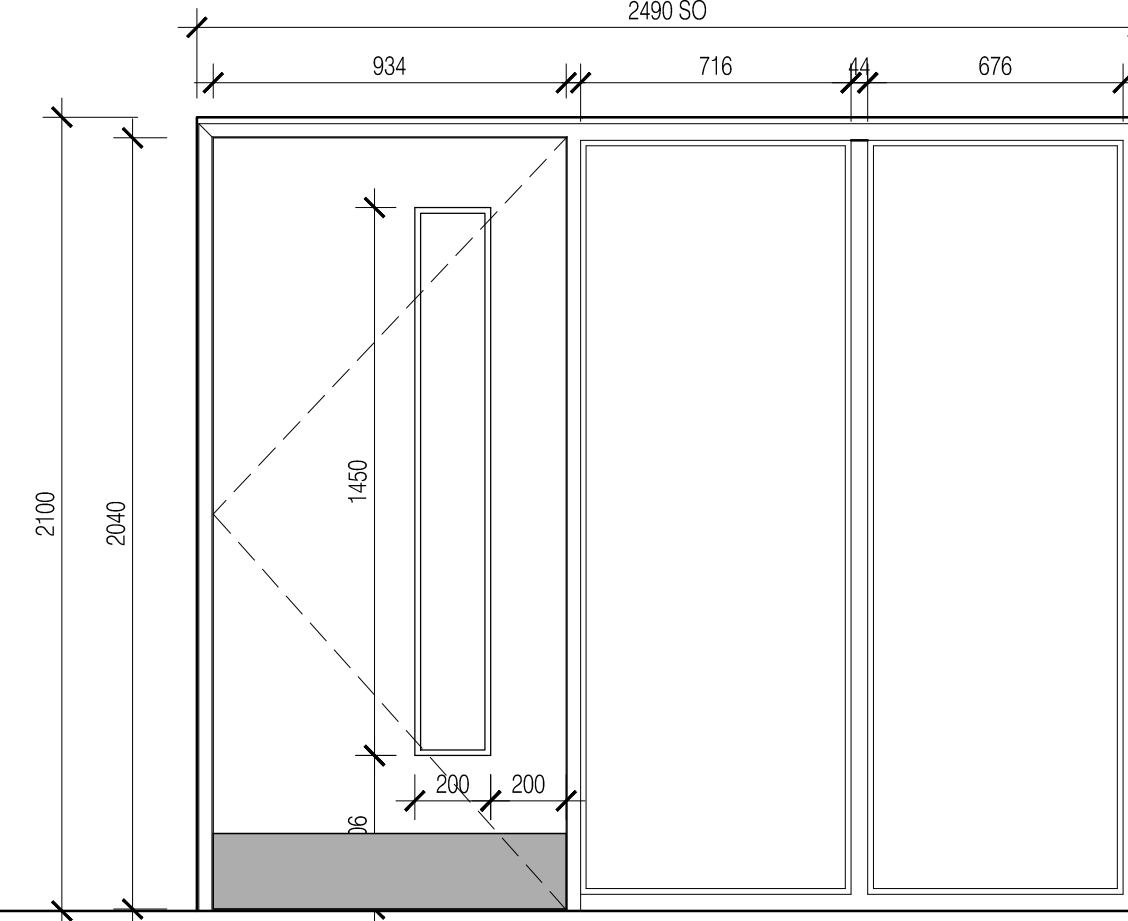
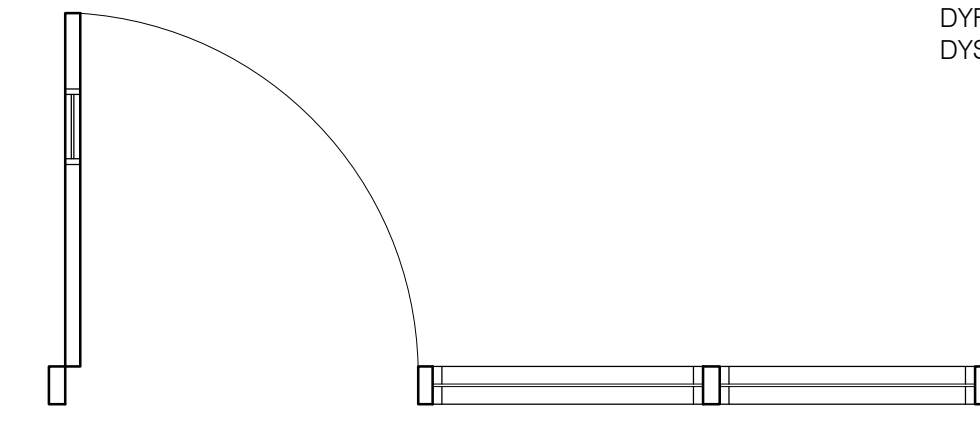
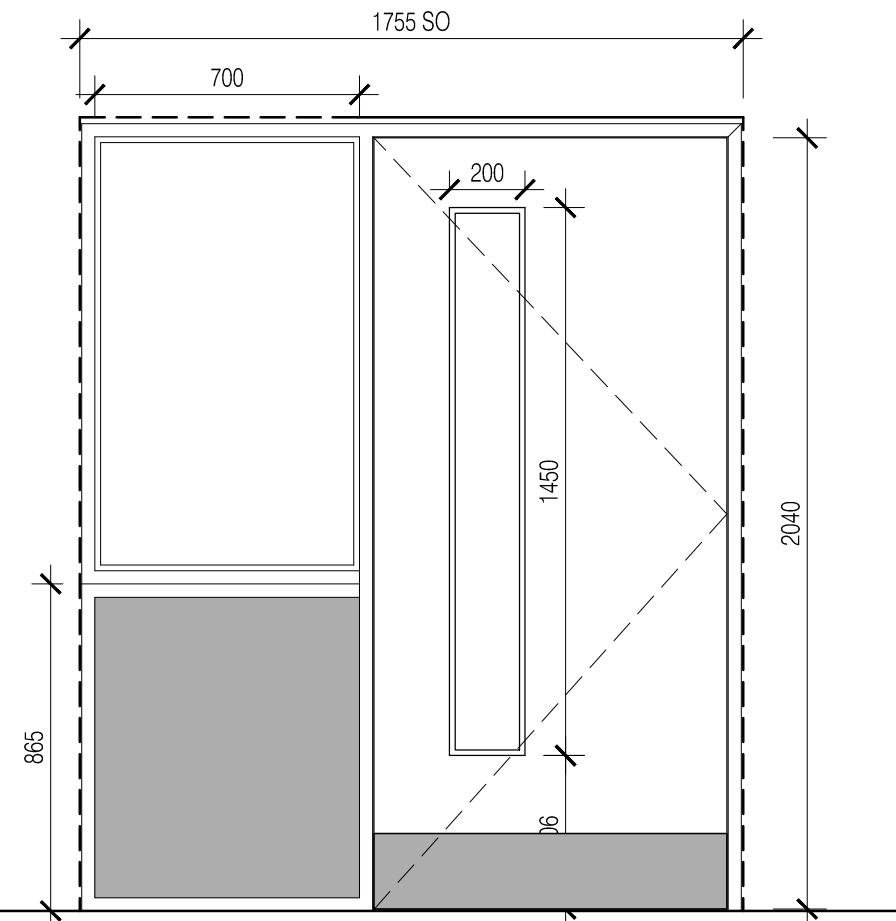
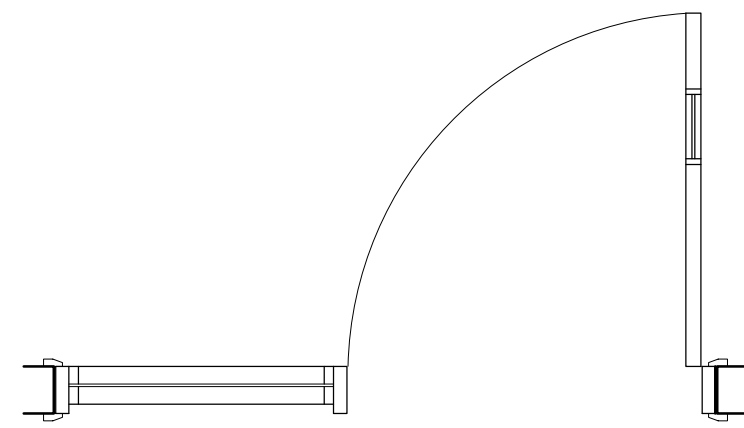
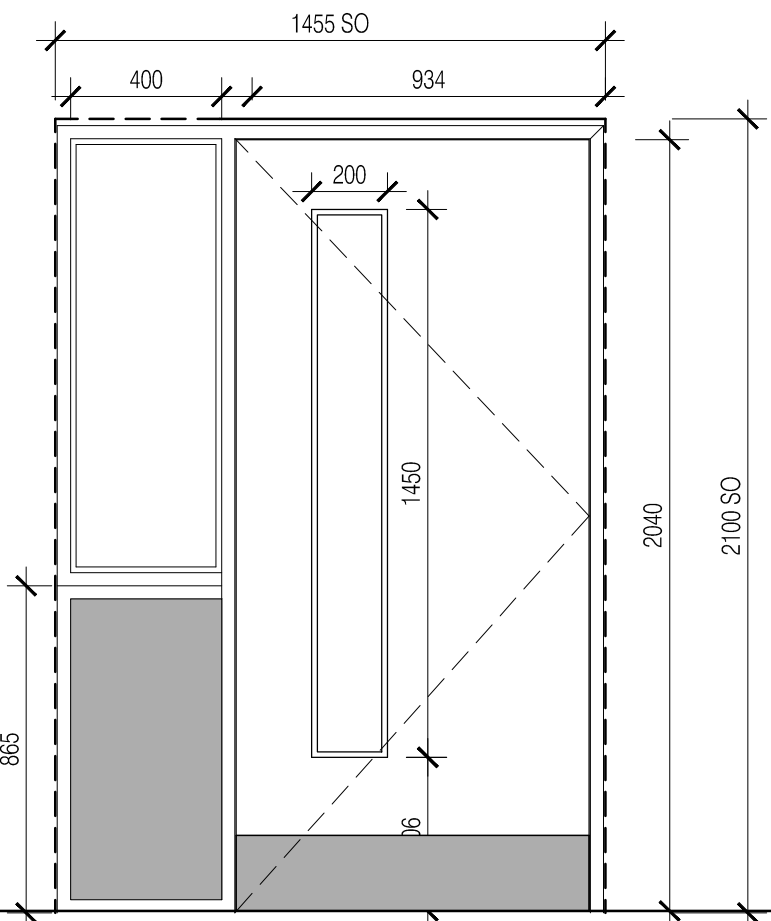
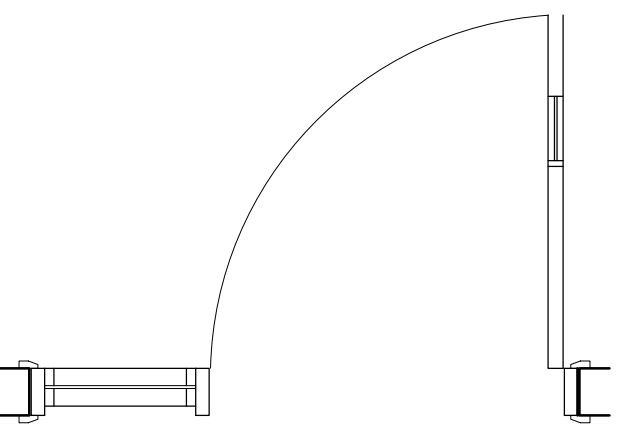
TYPE B - Science Classrooms

NBS Specification	S/O	FR	RW(db)	Ironmongery Set	Door Reference	Room Reference
L20/156 Typical Internal timber door & glazed screen Assembly	1755mm Wide 2040mm Tall	FD30S	30RW(db)	3 no Hinge 1 no Alite D/Closer adj 2-5 c/w BC 1 no Profile cylinder 1 no Allgood sashlock 3 no Allgood Intumescent pack 1 no Intumescent pack t/suit 71 & 76 series 60mm b/s 2 no Alite safety levers Q/F to roses 1 no Allgood cylinder rose 2 no Alite 76mm dia FDKS symbols 1 no floor door stop 2 no 932x200x1.5mm Kick plate drilled & csk c/w screws	DYS-02, DYS-04 DYS-11, DYS-12 DYS-21, DYS-23 DYS-32, DYS-34.	YS-18, YS-17 YS-14, YS-13 YS-10, YS-09 YS-02, YS-01.

TYPE C - Classroom Stores / Electrical Switch Room

NBS Specification	S/O	FR	RW(db)	Ironmongery Set	Door Reference	Room Reference
L20/158 Typical Internal timber double door	1740mm Wide 2040mm Tall	FD30S	-	6 no Hinge 6 no Allgood Intumescent Pack 1 no Single profile cylinder UMK 1 no Allgood deadlock 1 no Intumescent pack t/suit 71 & 76 series 60mm b/s 1 no Allgood cylinder pull 1 no Alite 76mm dia FCKLS symbol	DYG-03, DYG-05 DYG-07, DYG-08 DYG-18, DYG-20 DYG-27, DYG-29 DYG-31, DYG-38 DYG-40, DYF-06, DYF-16, DYF-22 DYS-03, DYS-05 DYS-11a, DYS-13 DYS-22, DYS-24 DYS-33, DYS-35 DYG-15, DYG-25 DYF-06, DYF-20 DYS-06, DYS-17	YG-34, YG-31 YG-29, YG-41 YG-23, YG-21 YG-17, YG-15 YG-12, YG-05 YG-03, YF-53, YF-34, YF-33 YS-37, YS-36 YS-25, YS-34 YS-33, YS-38 YS-32, YS-31 YG-26, YG-19 YF-32, YF-31 YS-16, YS-29

ISSUED FOR CONSTRUCTION



TYPE D - Staff Rooms

NBS Specification	S/O	FR	RW(db)	Ironmongery Set	Door Reference	Room Reference
L20/156 Typical Single Leaf Timber Door with Screen	1455mm Wide 2040mm Tall	-	30RW(db)	3 no Hinge 1 no Alite D/Closer adj 2-5 c/w BC 3 no Allgood Intumescent pack 1 no Profile cylinder 1 no Allgood sashlock 1 no Intumescent pack t/suit 71 & 76 series 60mm b/s 1 pr Alite safety levers Q/F to roses 2 no Allgood cylinder rose 2 no Alite 76mm dia FDKS symbol 1 no Floor door stop 1 no 934x200x1.5mm Kick plate drilled & csk c/w screws	DYG-09.	YG-40.

TYPE E - Staff Offices


NBS Specification	S/O	FR	RW(db)	Ironmongery Set	Door Reference	Room Reference
L20/156 Typical Internal Single Timber Door with Screen	1755mm Wide 2040mm Tall	-	30RW(db)	3 no Hinge 1 no Alite D/Closer adj 2-5 c/w BC 3 no Allgood Intumescent pack 1 no Profile cylinder 1 no Allgood sashlock 1 no Intumescent pack t/suit 71 & 76 series 60mm b/s 1 pr Alite safety levers Q/F to roses 2 no Allgood cylinder rose 2 no Alite 76mm dia FDKS symbol 1 no Floor door stop 1 no 934x200x1.5mm Kick plate drilled & csk c/w screws	DYG-10, DYS-25, DYS-26.	YG-28, YS-26, YS-07

TYPE F - Staff Offices

NBS Specification	S/O	FR	RW(db)	Ironmongery Set	Door Reference	Room Reference
L20/156 Typical Internal Single Timber Door with Double Screen	2490mm Wide 2040mm Tall	FD30S	30RW(db)	3 no Hinge 1 no Alite D/Closer adj 2-5 c/w BC 3 no Allgood Intumescent pack 1 no Profile cylinder 1 no Allgood sashlock 1 no Intumescent pack t/suit 71 & 76 series 60mm b/s 1 pr Alite safety levers Q/F to roses 2 no Allgood cylinder rose 2 no Alite 76mm dia FDKS symbol 1 no Floor door stop 1 no 934x200x1.5mm Kick plate drilled & csk c/w screws	DYF-07, DYF-26	YF-19, YF-26


Rev	Date	By	Clk	Comment
G	23.02.10	RKC	CJ	NBS Specification and Fire Rating Updated
F	17.02.10	DSM	CJ	General Update of Second Floor Doors
E	15.02.10	DSM	CJ	General Amendments & Corrections
D	09.02.10	AL	CJ	Doors added, S/O Corrected
C	08.02.10	RKC	CJ	General revisions
B	21.01.10	DSM	CJ	Elev/Sched merge
A	21.09.09	AL	-	Issued for Construction

BRINGING IDEAS TO LIFE



FRANKHAM

Frankham Consultancy Group Limited
21 Parnham Road
Haywards Heath RH16 3TP
t 01444 444900 f 01444 455842
enquire@frankham.com
www.frankham.com

Client: 

Project Title: Woodside Inclusive Learning Campus

Drawing Title: Internal Door Elevations Block Y

Drawn by: RKC	Scale: 1:20@A1	Date: Dec 08
Designed by: FCG	Checked by: CJ	Approved by: AC

File Ref.: 020000207864002020181007400400_00_SCH01002 222584-AY-600 - Rev 0 - 14/04/23 14:45:30

Drawing No. 222586-AY-600	Rev. G
---------------------------	--------