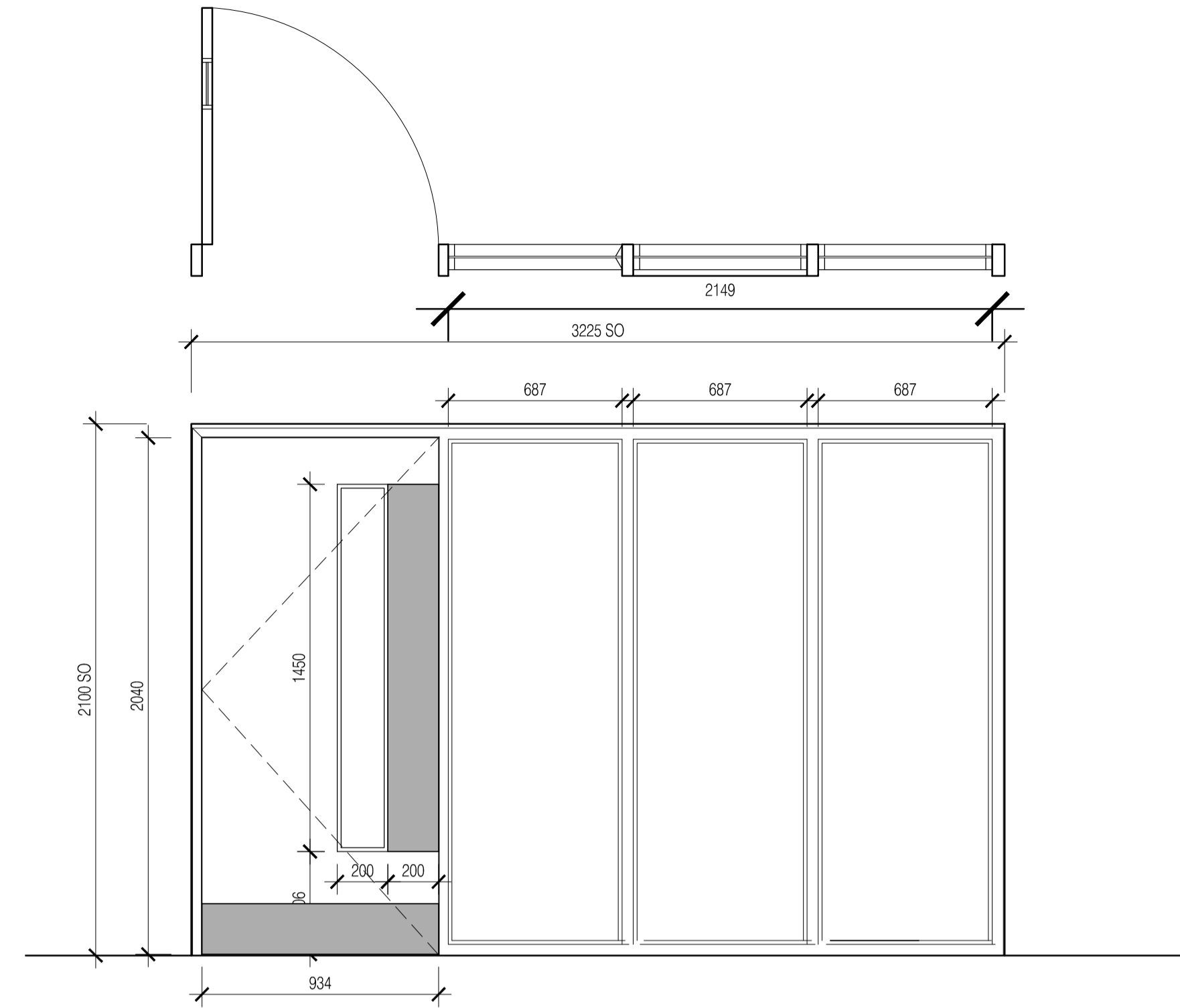
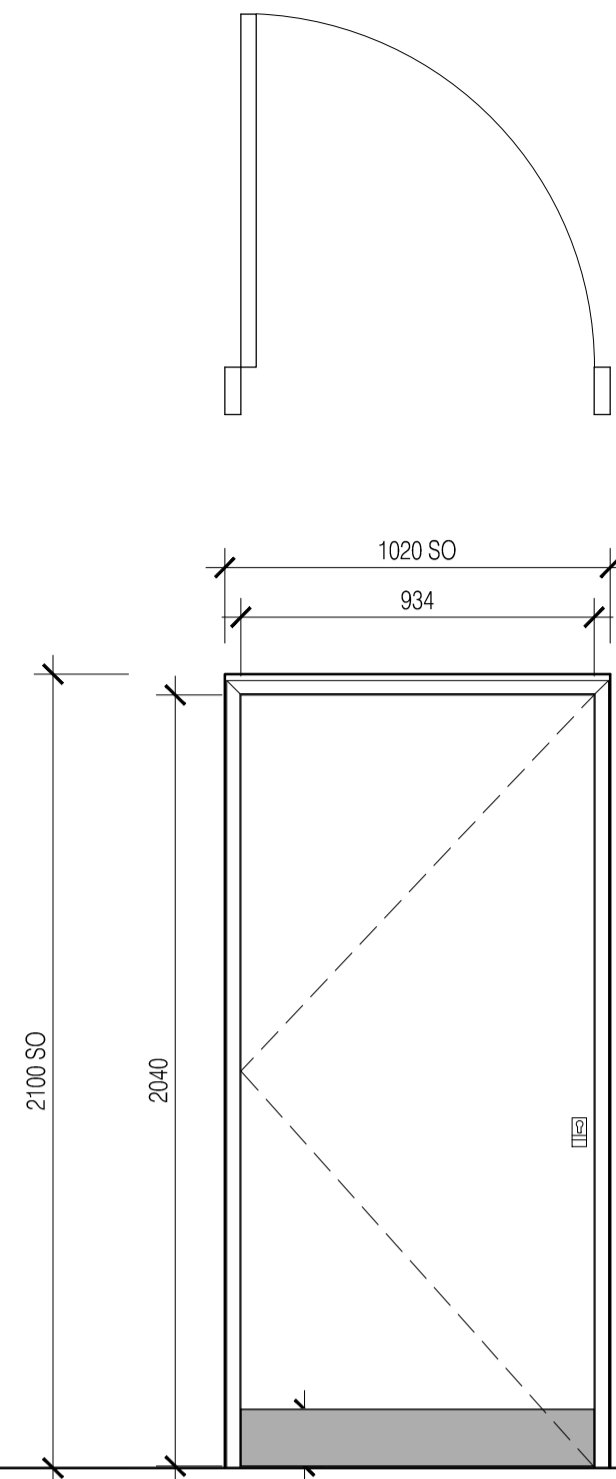
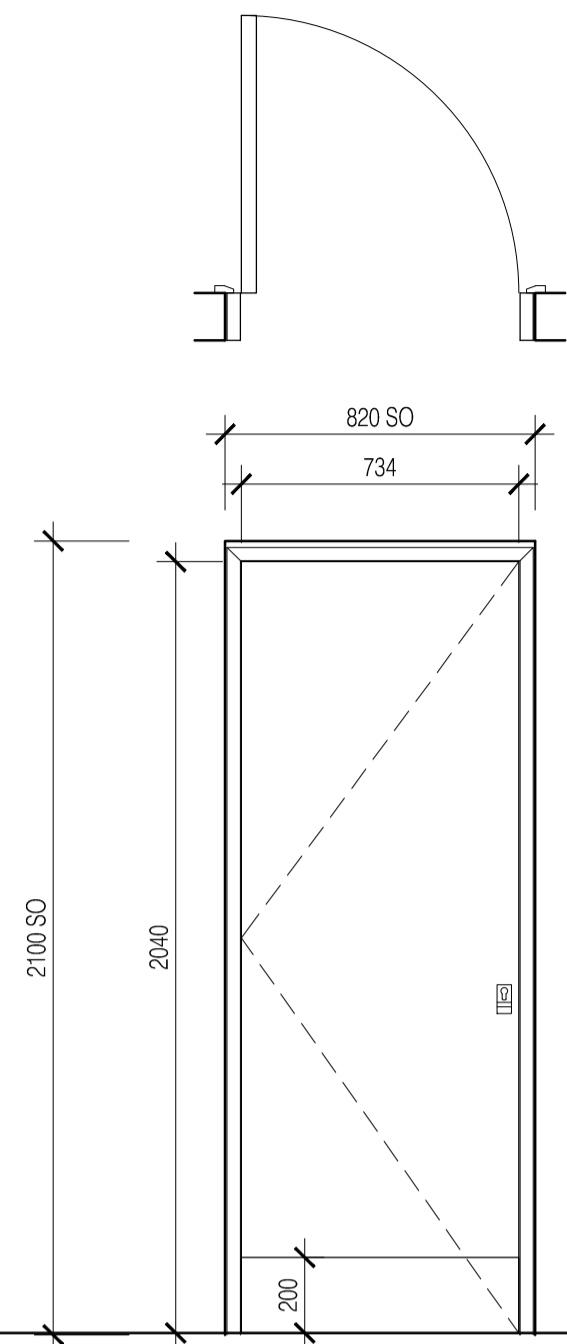


NOTES: Do not scale this drawing. All dimensions to be checked on site prior to commencement or manufacture.



TYPE N - Cleaners Store

NBS Specification	S/O	FR	RW(db)	Ironmongery Set	Door Reference	Room Reference
L20/159 Narrow Timber Single Door	820mm Wide 2040mm Tall	FD30S	30RW(db)	3 no Hinge 1 no Alite D/Closer adj 2-5 c/w BC 1 no Alite 76mm dia male, 1 no 450x75x1.6mm p/plate c/w rnd corners 1 no Alite 420x19mm dia BT pull handle 1 no floor door stop 2 no 820x200x1.5mm Kick plate drilled & csk c/w screws	DYG-34, DYF-28, DYS-28	YG-09, YF-06, YS-05

TYPE P - IT Hubs & Server Rooms

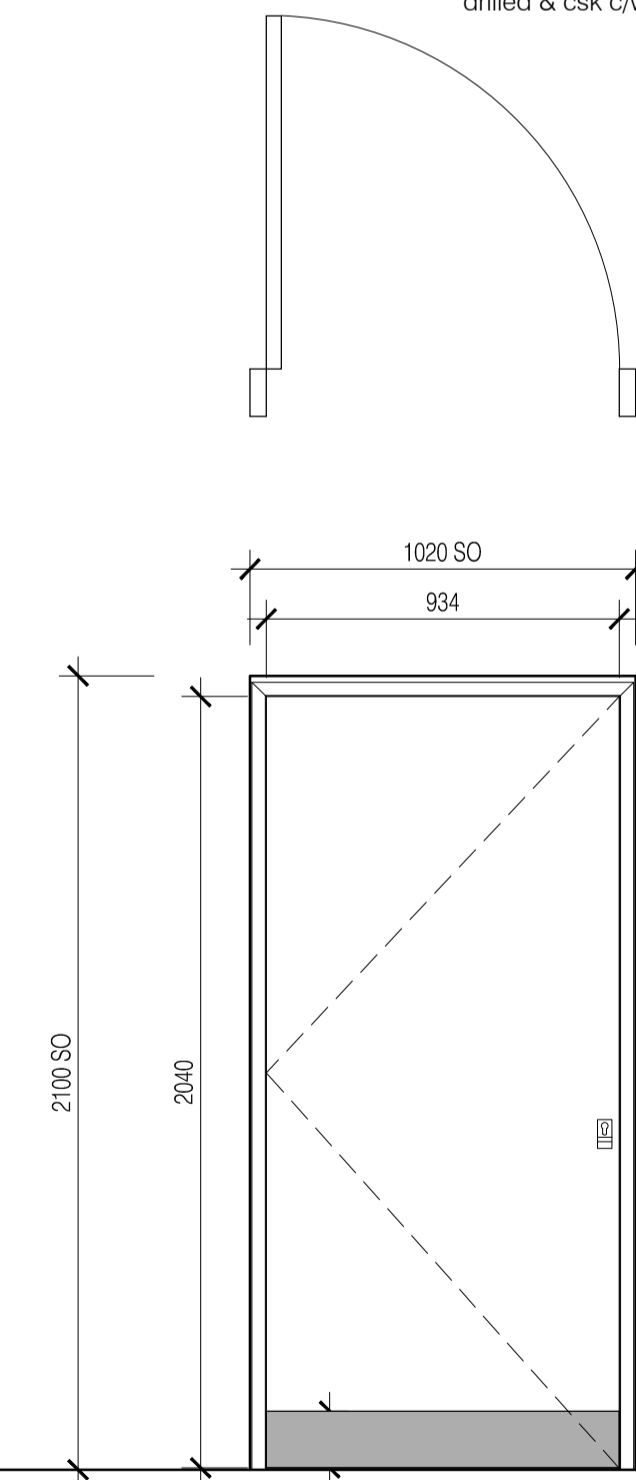
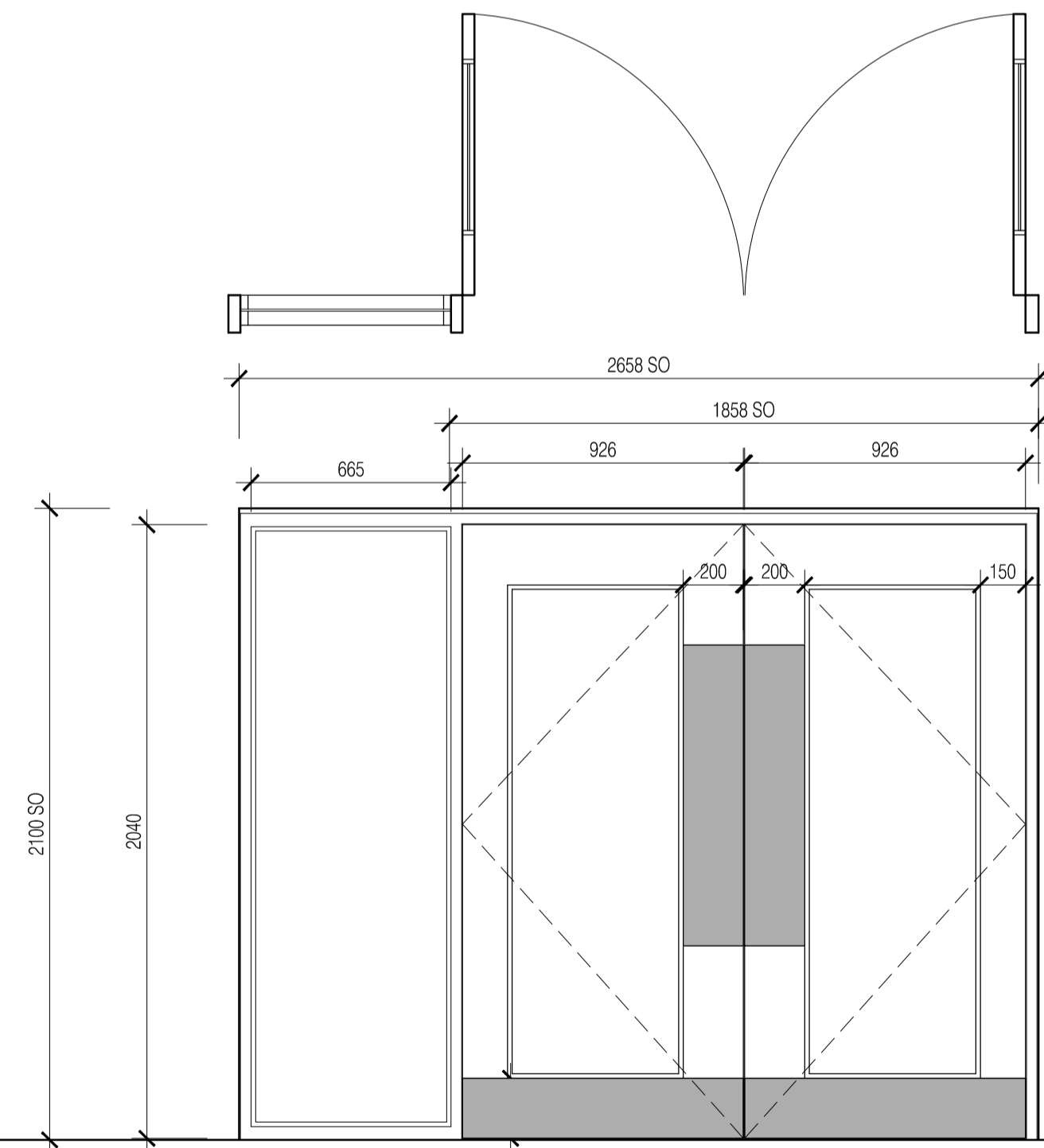
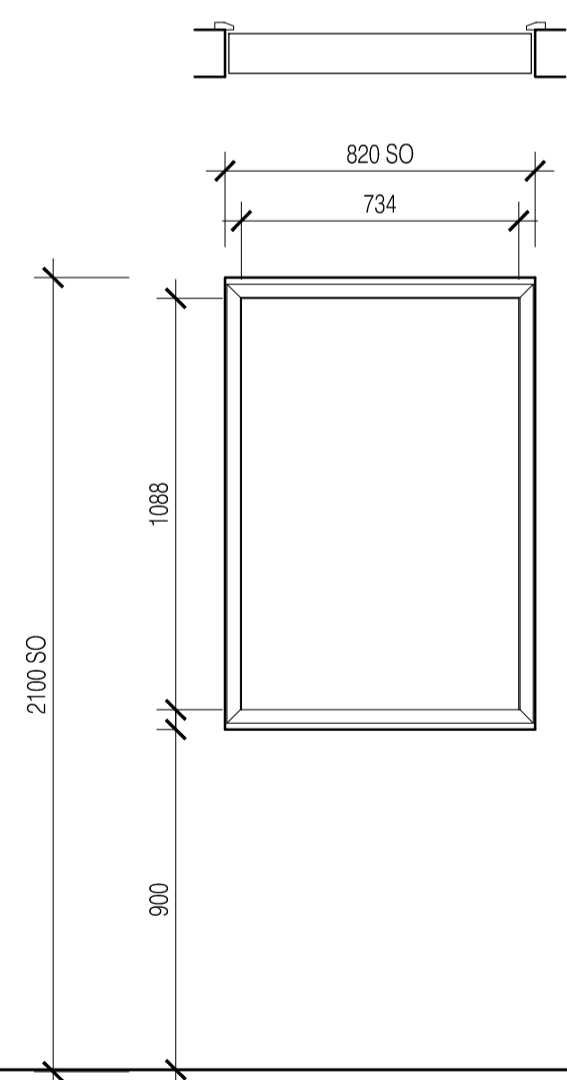
NBS Specification	S/O	FR	RW(db)	Ironmongery Set	Door Reference	Room Reference
L20/155 Flush solid doors	1020mm Wide 2040mm Tall	FD30S	-	3 no Hinge 3 no Allgood intumescent pack 1 no Single profile cylinder UMK 1 no Allgood deadlock case 1 no Intumescent pack t/suit 71 & 76 series 60mm b/s 1 no Allgood cylinder pull 1 no Alite 76mm dia FDKLS symbol	DYF-09, DYF-14	YF-18, YF-16

TYPE Q - Stairwells

NBS Specification	S/O	FR	RW(db)	Ironmongery Set	Door Reference	Room Reference
L20/156 Typical Internal timber single door. Timber Screens	3225mm Wide 2040mm Tall	FD30S	-	3 no Hinge 1 no Alite D/Closer adj 2-5 c/w BC 3 no Allgood Intumescent pack 1 no Profile cylinder 1 no Allgood sashlock 1 no Intumescent pack t/suit 71 & 76 series 60mm b/s 1 pr Alite safety levers Q/F to roses 2 no Allgood cylinder rose 2 no Alite 76mm dia FDKS symbol 1 no Floor door stop 1 no 934x200x1.5mm Kick plate drilled & csk c/w screws	DYG-01, DYF-01 DYF-18 DYS-01, DYS-16	YG-35, YF-23 YF-13 YS-19, YS-12

ISSUED FOR CONSTRUCTION

Rev	Date	By	Chk	Comment
G	22.02.10	RKC	CJ	NBS & General Correction Update
F	17.02.10	DSM	CJ	Update of Door Types T & U
E	15.02.10	DSM	CJ	General Ammendments & Corrections
D	09.02.10	AL	CJ	S/O Corrected, doors added
C	08.02.10	RKC	CJ	General revisions
B	21.01.10	DSM	CJ	Elev/sched merge
A	21.09.09	AL	-	Issued for Construction



TYPE R - WC Riser Access Hatches

NBS Specification	S/O	FR	RW(db)	Ironmongery Set	Door Reference	Room Reference
	820mm Wide 1088mm Tall	FD30S	-		DYG-41 DYF-34 DYS-31	YG-06 YF-04 YS-03

TYPE T - Corridors

NBS Specification	S/O	FR	RW(db)	Ironmongery Set	Door Reference	Room Reference
L20/162 Typical Internal timber Double door. Timber Screens	2693mm Wide 2040mm Tall	FD30S	-	3 no Hinge 1 no Alite D/Closer adj 2-5 c/w BC 3 no Allgood Intumescent pack 1 no Profile cylinder 1 no Allgood sashlock 1 no Intumescent pack t/suit 71 & 76 series 60mm b/s 1 pr Alite safety levers Q/F to roses 2 no Allgood cylinder rose 2 no Alite 76mm dia FDKS symbol 1 no Floor door stop 1 no 934x200x1.5mm Kick plate drilled & csk c/w screws	DYF-08 DYS-07, DYS-08	YF-09 YS-08

TYPE U - Store Rooms

NBS Specification	S/O	FR	RW(db)	Ironmongery Set	Door Reference	Room Reference
L20/155 Flush solid doors	1020mm Wide 2040mm Tall	FD30	-	3 no Hinge 3 no Allgood intumescent pack 1 no Single profile cylinder UMK 1 no Allgood deadlock case	DYG-12, DYG-16 DYG-23 DYF-05 DYS-09	YG-27 Stairwell 02 Store YF-53 YS-27

BRINGING IDEAS TO LIFE

FRANKHAM

Frankham Consultancy Group Limited
21 Pymms Road
Haywards Heath RH16 3TP
t 01444 444900 f 01444 455642
enquire@frankham.com
www.frankham.com

Client

APOLLO EDUCATION

Project Title

Woodside
Inclusive Learning Campus

Drawing Title

Internal Door Elevations
Block Y

Drawn by: RKC	Scale: 1:20@A1	Date: Dec 08
Designed by: FCG	Checked by: CJ	Approved by: AC

File Ref.: 222586-AY-602-REV 001 14/04/23 14:45:42

Drawing No. 222586-AY-602	Rev. G
------------------------------	-----------