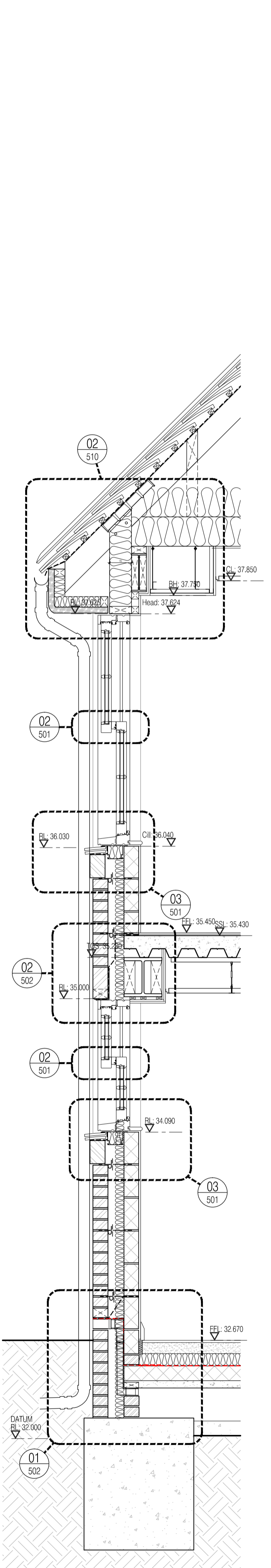
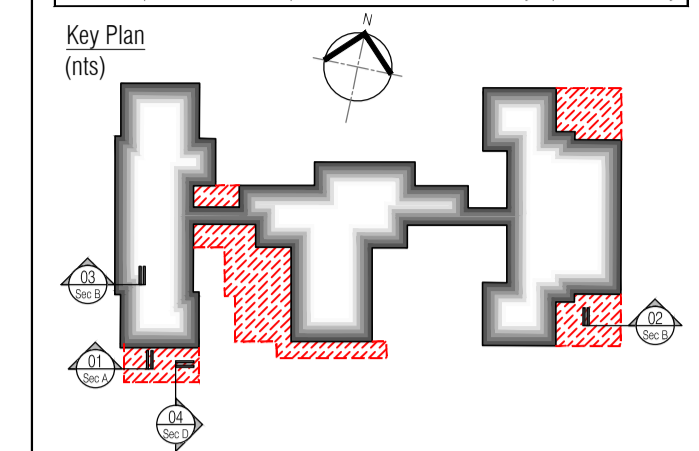
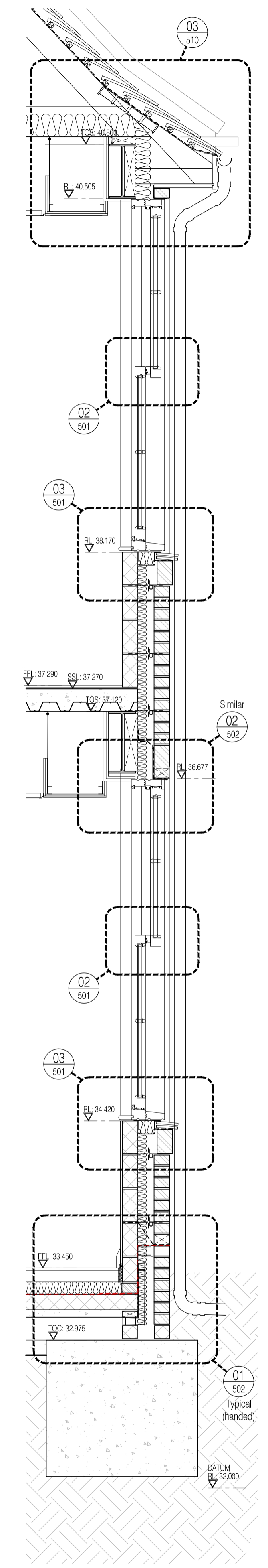


NOTES: Do not scale this drawing. All dimensions to be checked on site prior to commencement or manufacture.
 NB: All information based on supplied third party survey information. All discrepancies to be reported to FCG immediately upon discovery.



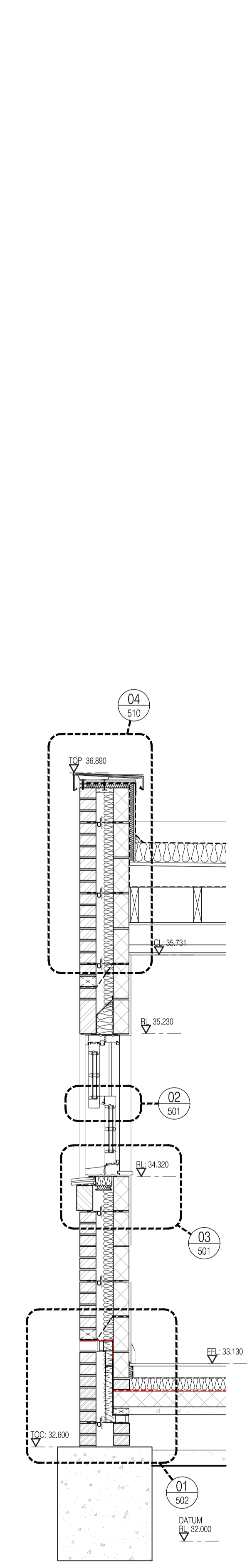
01 Section A
Scale: 1:20



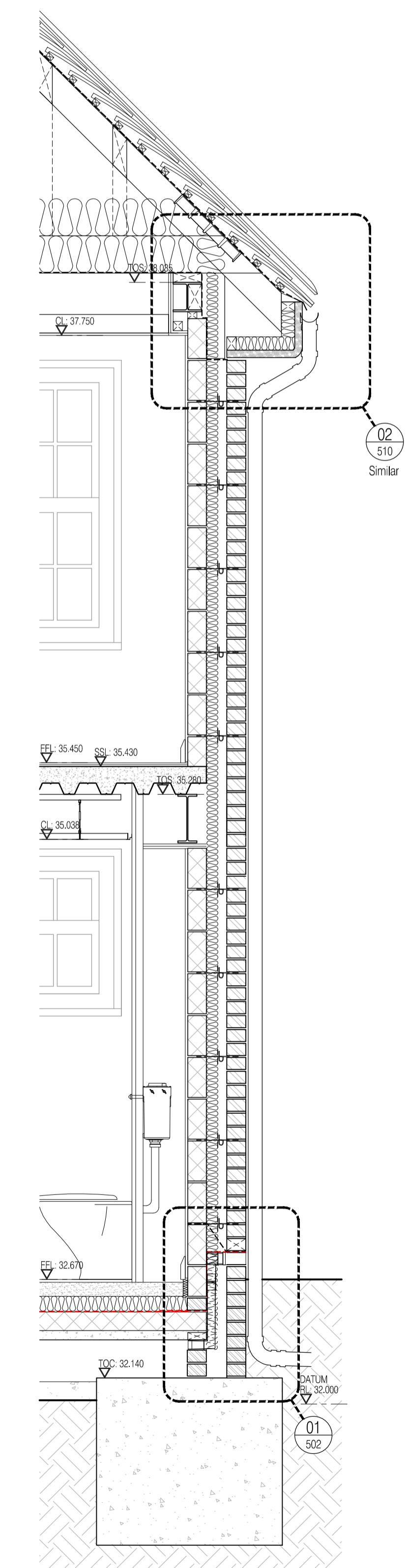
02 Section B 01
Scale: 1:20

01 320

02 322



03 Section B 02
Scale: 1:20



04 Section D
Scale: 1:20

01 321

AS BUILT DRAWING

Rev	Date	By	Clk	Comment
AB1	17.04.14	RKC	AGC	DRAWING ISSUED - AS BUILT

25 YEARS OF BRINGING IDEAS TO LIFE

FRANKHAM

Frankham Consultancy Group Limited
 Frankham House Woolton Business Park
 Besselsleigh Road Woolton Abingdon
 Oxfordshire OX13 6FD
 T 01865 322500 F 01865 327393
 E enquire@frankham.com www.frankham.com

Client
Leadbitter
 CONSTRUCTION

Project Title
 Whitehall Junior & Infant School
 Refurbishment, Extension and New Build
 Cowley Road
 London Borough of Hillingdon

Drawing Title
 Junior School
 Proposed Wall Strip Sections
 (Sheet 1)

Drawn by: RKC	Scale: 1:20@A1	Date: 03.10.12
Designed by: FCG	Checked by: JAS	Approved by: AC

File Ref: J:\00004188 - HILLINGDON SCHOOLS - WHITEHALL JUNIOR & INFANT SCHOOL\SECTION 16\16042012.DWG - REV A31 - 00001012	14.04.2014 10:41:54
Drawing No. 611869-A-230	Rev. AB1