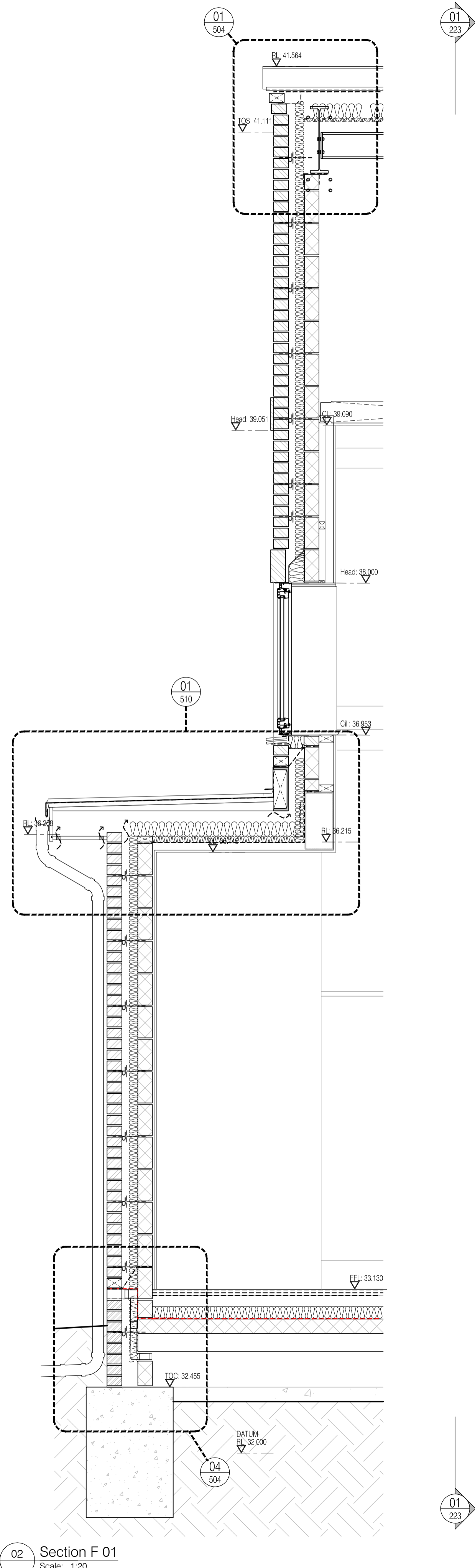


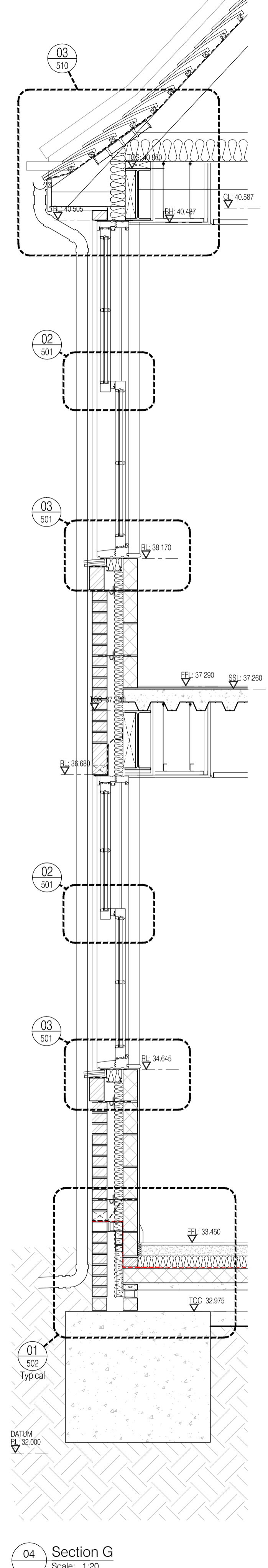
01 Section E
Scale: 1:20



02 Section F 01
Scale: 1:20

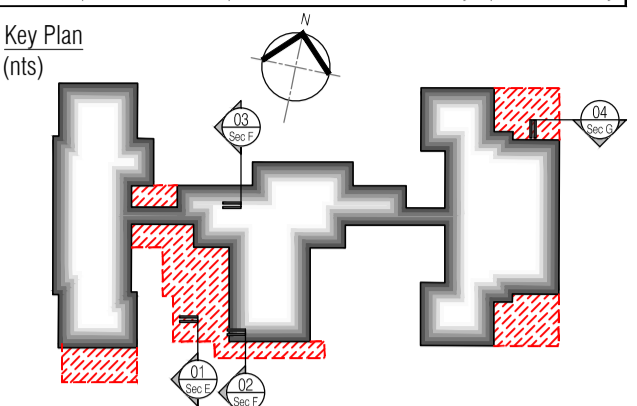


03 Section F 02
Scale: 1:20



04 Section G
Scale: 1:20

NOTES: Do not scale this drawing. All dimensions to be checked on site prior to commencement or manufacture.
NB: All information based on supplied third party survey information. All discrepancies to be reported to FCG immediately upon discovery.



AS BUILT DRAWING

| Rev | Date | By | Clk | Comment |
|-----|------|----|-----|---------|
| | | | | |
| | | | | |
| | | | | |
| | | | | |

AB1 17.04.14 RKC AGC DRAWING ISSUED - AS BUILT

25 YEARS OF BRINGING IDEAS TO LIFE

FRANKHAM

Frankham Consultancy Group Limited
Frankham House, Woolton Business Park, Besselsleigh Road, Woolton, Abingdon, Oxfordshire, OX13 6FD
T 01865 322500 F 01865 327393 E enquire@frankham.com www.frankham.com

Client: **Leadbitter CONSTRUCTION**

Project Title: Whitehall Junior & Infant School Refurbishment, Extension and New Build, Cowley Road, London Borough of Hillingdon

Drawing Title: Junior School Proposed Wall Strip Sections (Sheet 2)

| | | |
|------------------|-----------------|-----------------|
| Drawn by: RKC | Scale: 1:20@A1 | Date: 03.10.12 |
| Designed by: FCG | Checked by: JAS | Approved by: AC |

File Ref: J:\300006188-ILLINGDON SCHOOL- WHITEHALL JUNIOR AND INFANT SCHOOL\DRAWINGS\SECTION F 16.04.24.10.42.04

Drawing No. 611869-A-231 Rev. AB1