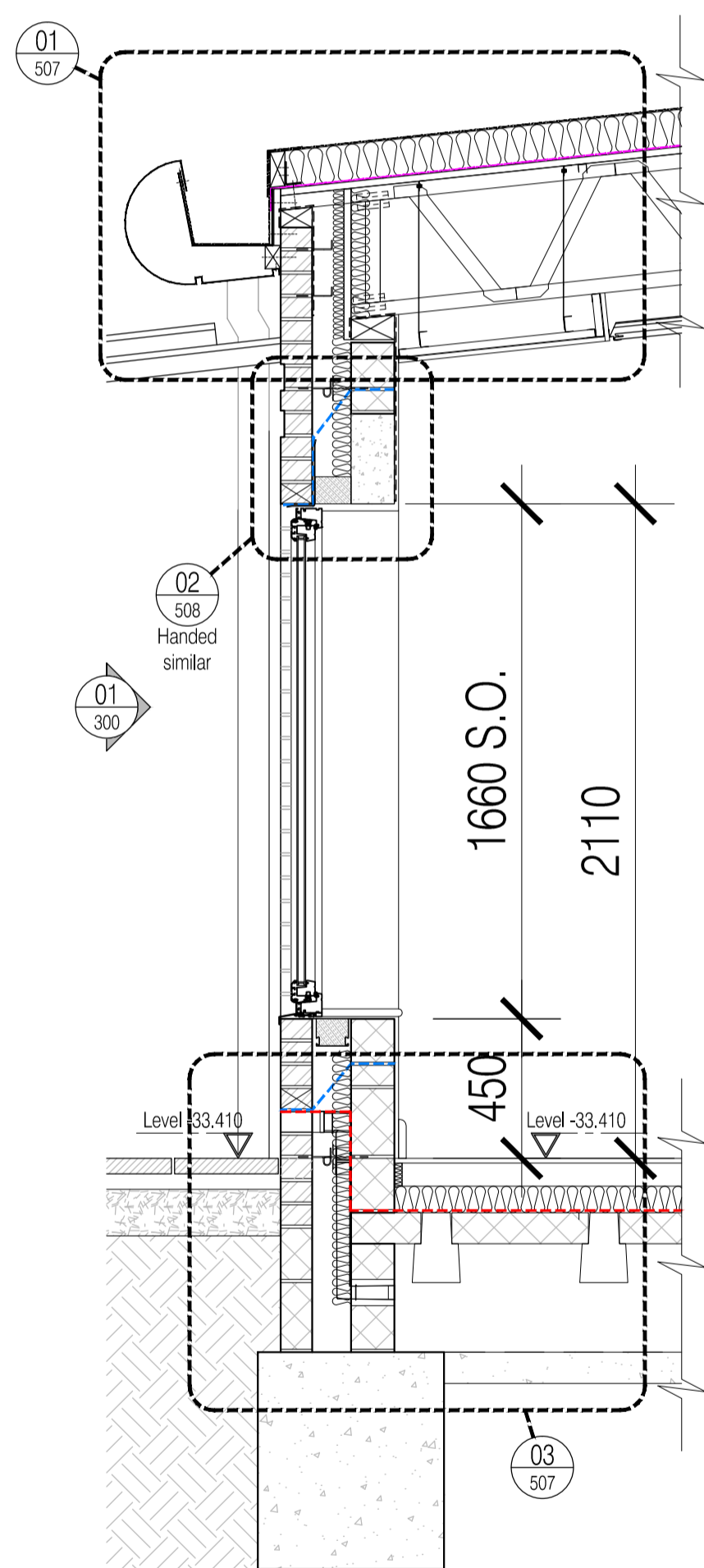
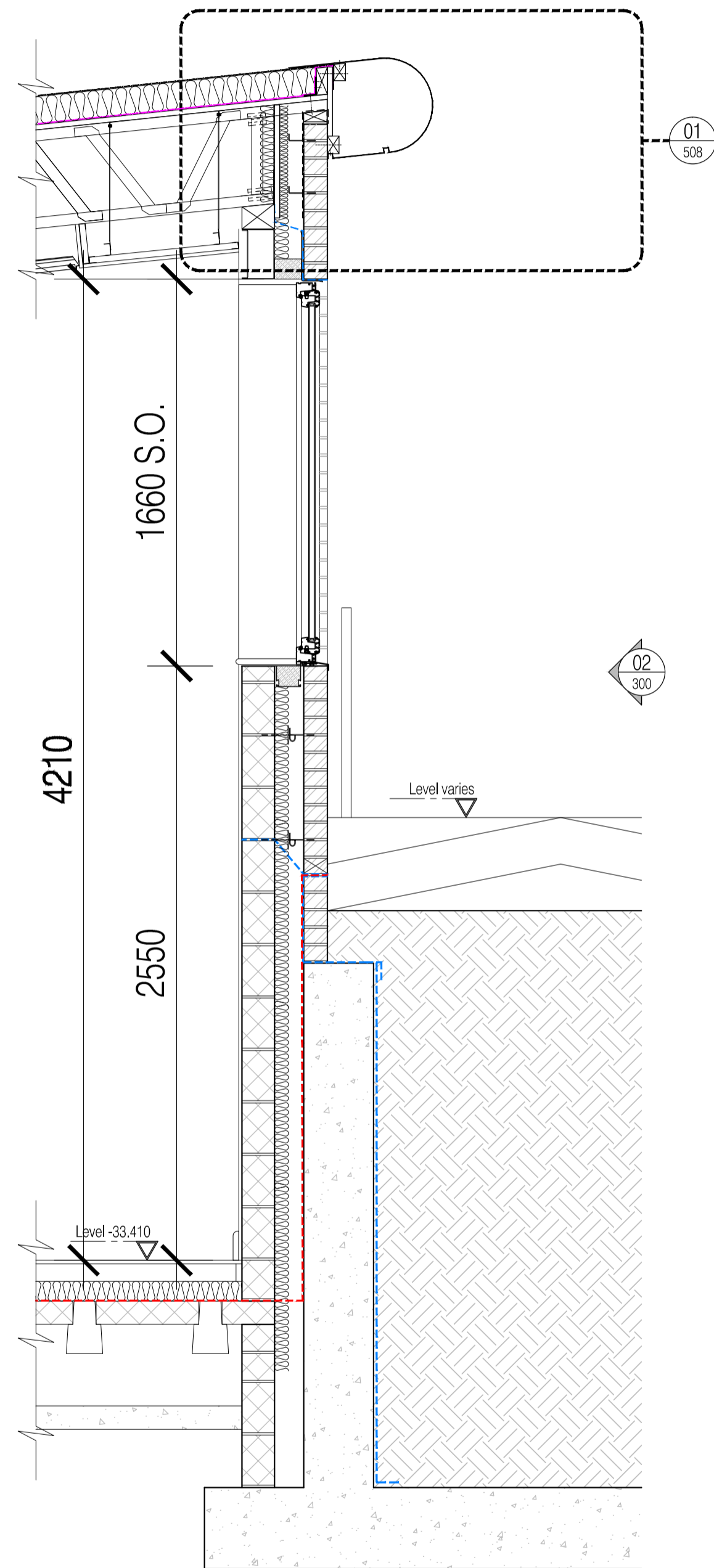


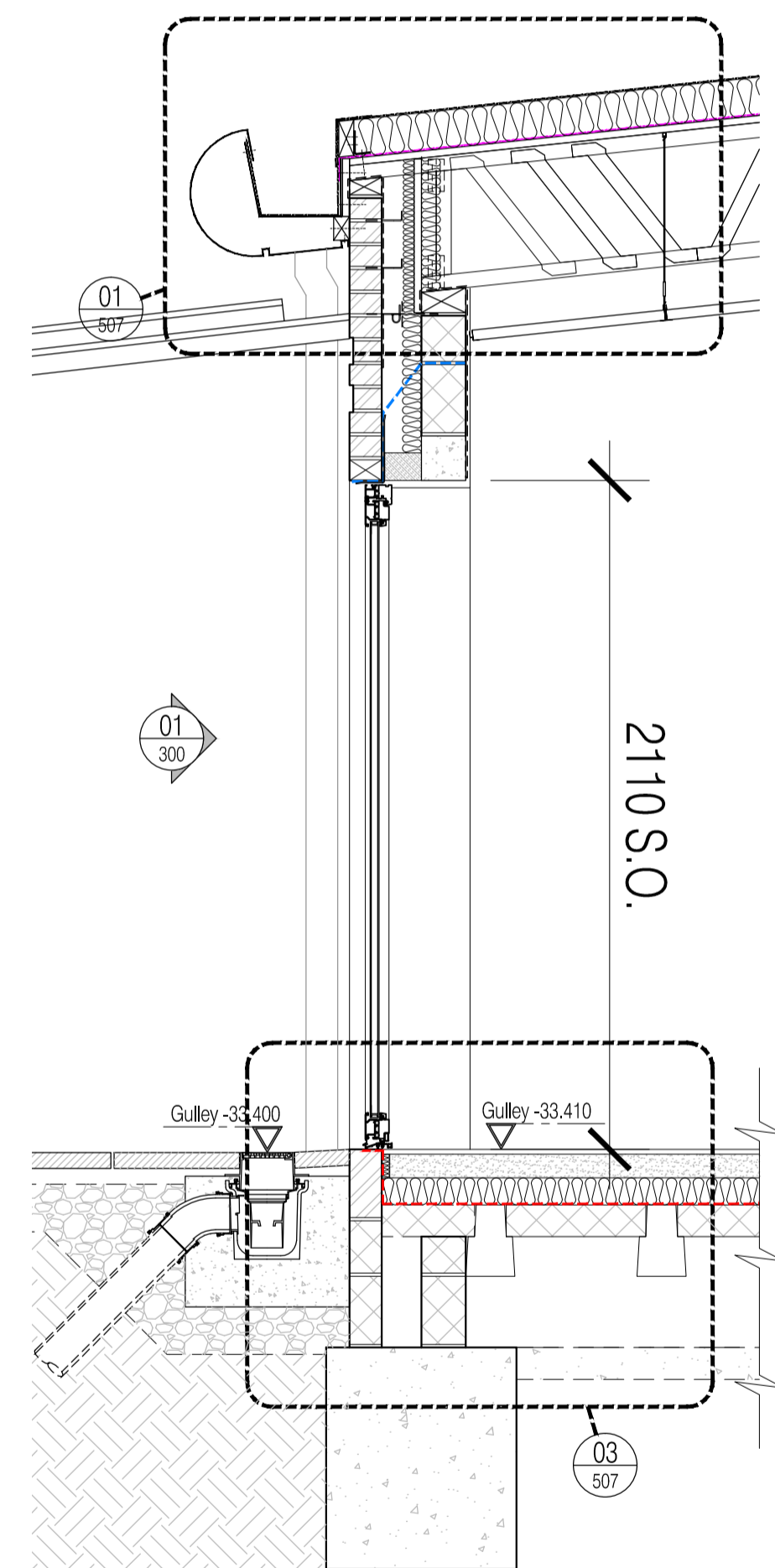
NOTES: Do not scale this drawing. All dimensions to be checked on site prior to commencement or manufacture.



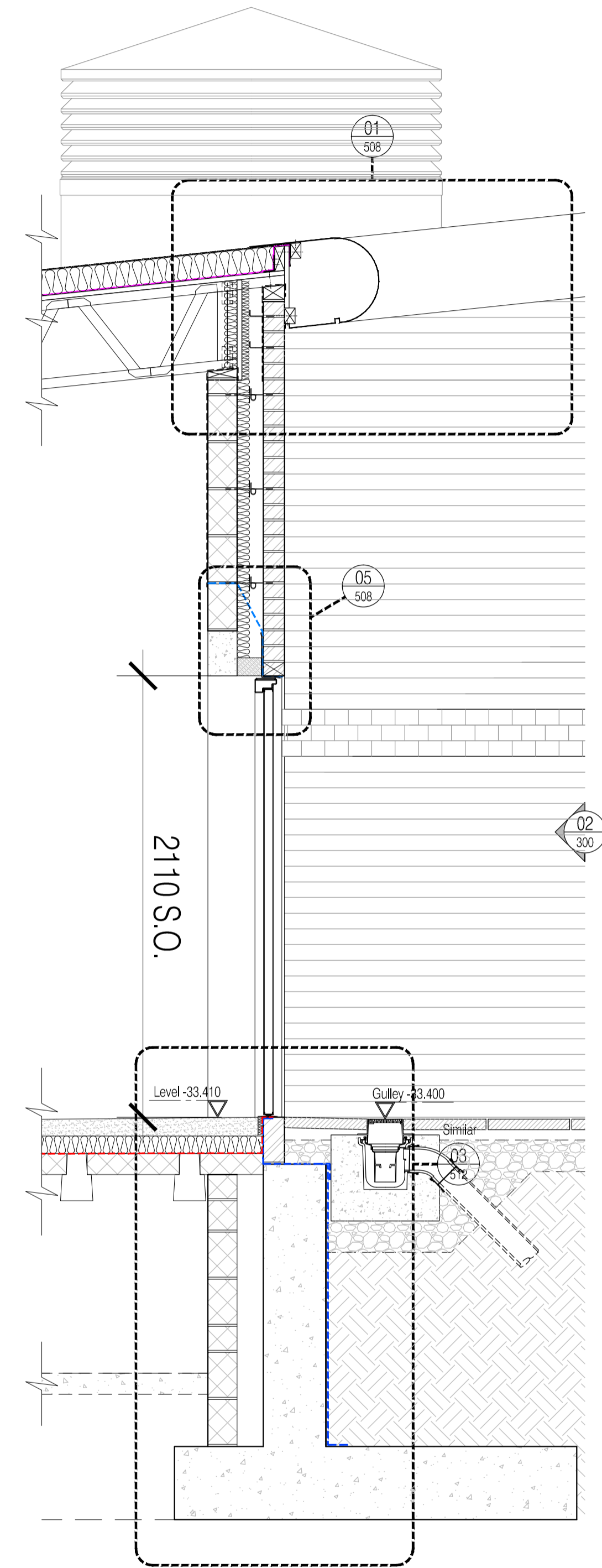
02 Section 1 - 01
Scale: 1:20



03 Section 1 - 02
Scale: 1:20



01 Section 2 - 01
Scale: 1:20



04 Section 2 - 02
Scale: 1:20

AS BUILT
DRAWING

AB1 17.04.14 RKC AGC DRAWING ISSUED - AS BUILT

25 YEARS OF BRINGING IDEAS TO LIFE

FRANKHAM

Frankham Consultancy Group Limited
 Frankham House Woolton Business Park
 Besselsleigh Road Woolton Abingdon
 Oxfordshire OX13 6FD
 T 01865 322500 F 01865 327393
 E enquire@frankham.com www.frankham.com

Client: **Leadbitter**
CONSTRUCTION

Project Title
 Whitehall Junior & Infant School
 Refurbishment, Extension and New Build
 Cowley Road
 London Borough of Hillingdon

Drawing Title
 New Infant Block
 Proposed Wall Strip Sections
 (Sheet 1)

Drawn by: RKC	Scale: 1:20@A1	Date: 03.10.12
Designed by: FCG	Checked by: JAS	Approved by: AC

File Ref: J:\00001869-1869-A-234\001-1869-A-234-01-SECTION1.dwg 14.04.2014 10:42:32

Drawing No. 611869-A-234	Rev. AB1
-----------------------------	-------------