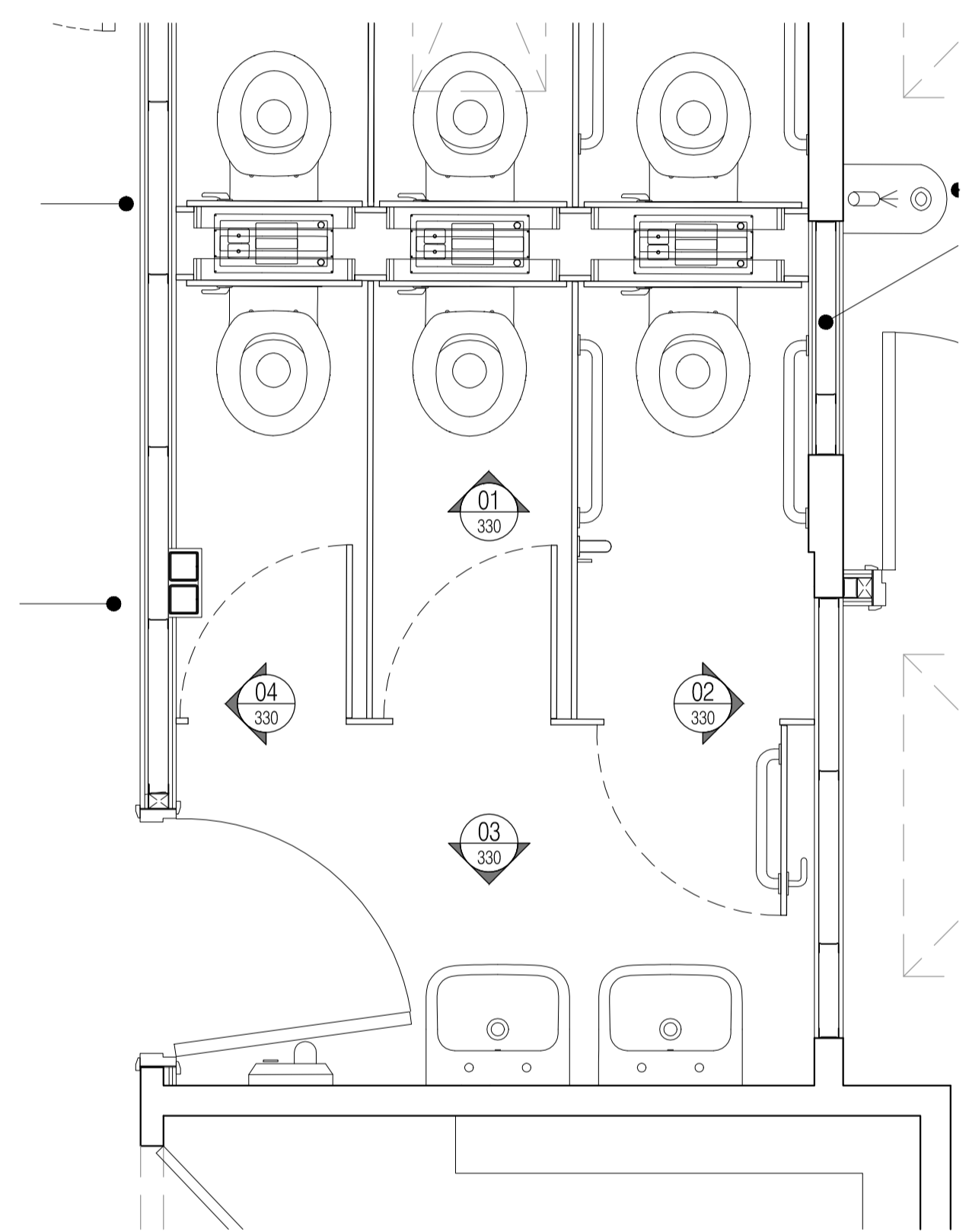
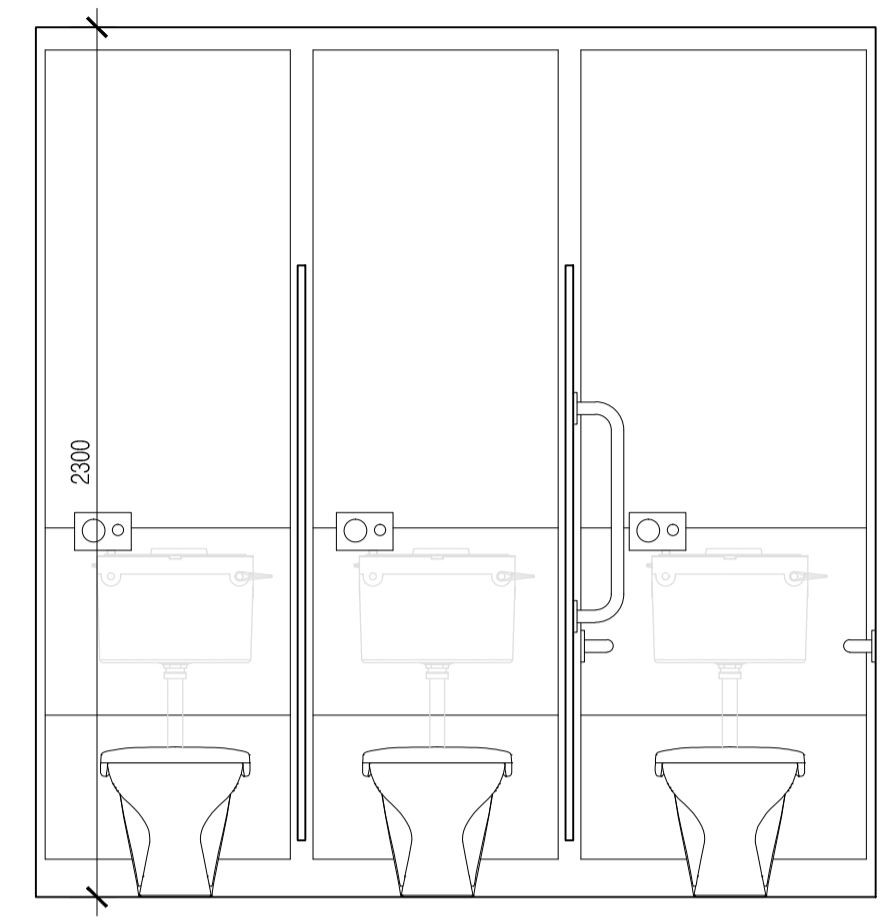


NOTES: Do not scale this drawing. All dimensions to be checked on site prior to commencement or manufacture.
 NB: All information based on supplied third party survey information. All discrepancies to be reported to FCG immediately upon discovery.

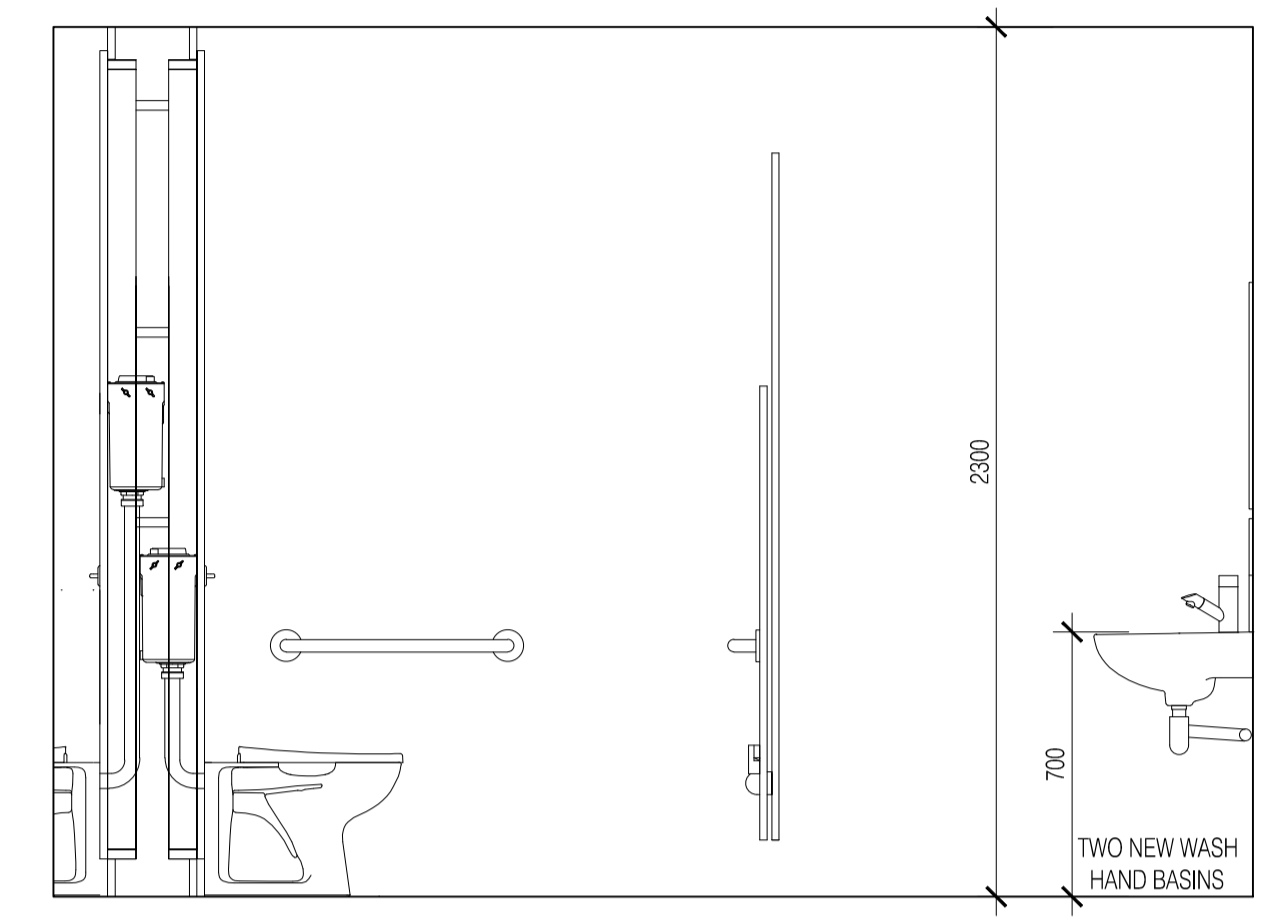


01 Floor Plan
Scale: 1:20

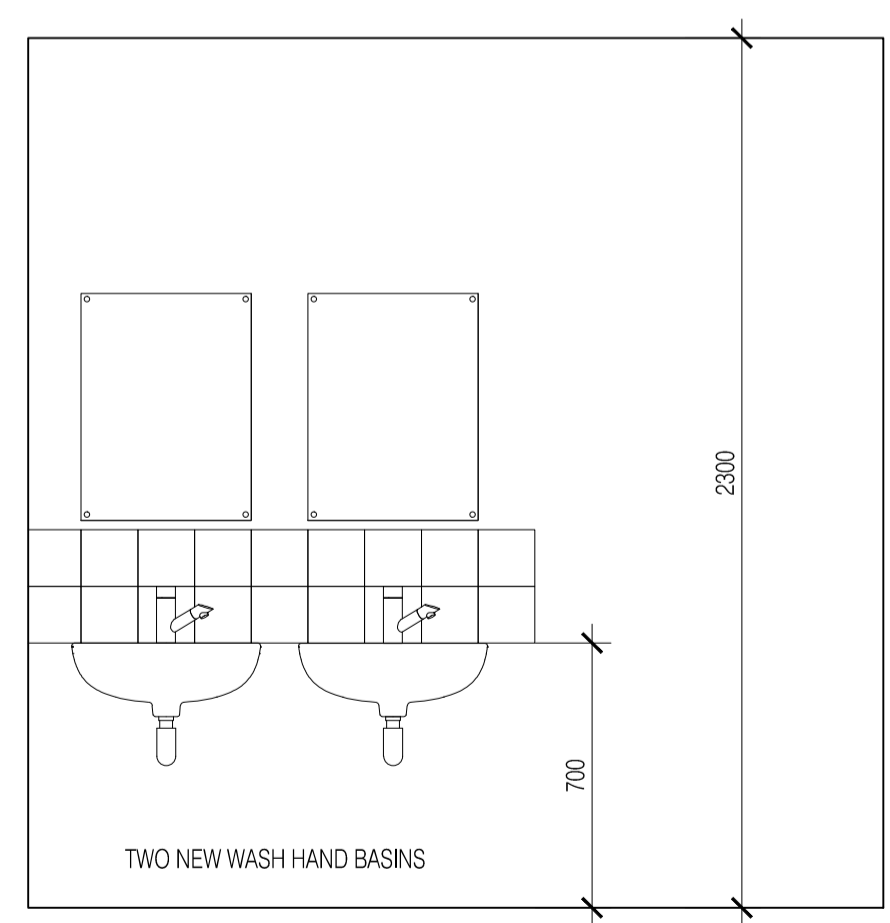
ROOF SPACE NOT YET SURVEYED TBC.



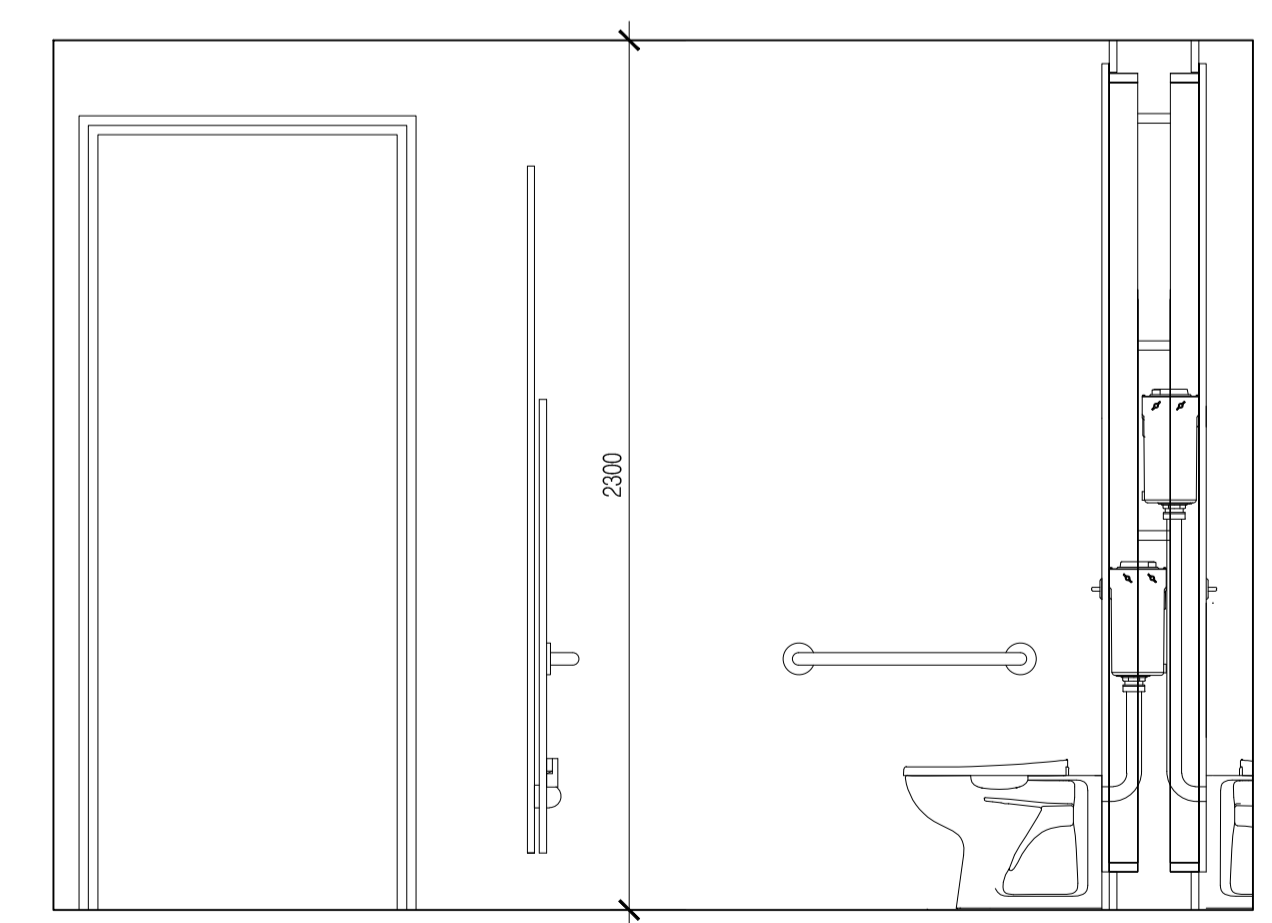
02 Elevation 01
Scale: 1:20



03 Elevation 02
Scale: 1:20



04 Elevation 03
Scale: 1:20



05 Elevation 04
Scale: 1:20

AS BUILT
DRAWING

Rev	Date	By	Clk	Comment
AB1	17.04.14	RKC	AGC	DRAWING ISSUED - AS BUILT

25 YEARS OF BRINGING IDEAS TO LIFE

FRANKHAM

Frankham Consultancy Group Limited
 Frankham House Woolton Business Park
 Besselsleigh Road Woolton Abingdon
 Oxfordshire OX13 6FD
 T 01865 322500 F 01865 327393
 E enquire@frankham.com
 www.frankham.com

Client: **Leadbitter**
CONSTRUCTION

Project Title: Whitehall Junior & Infant School
 Refurbishment, Extension and New Build
 Cowley Road
 London Borough of Hillingdon

Drawing Title: Existing Infants School WC Area
 Room Elevations - New Pupil Toilets
 EIB-G-05 & EIB-G-06 (Handed)

Drawn by: RKC	Scale: 1:20@A1	Date: 31.05.12
Designed by: FCG	Checked by: JAS	Approved by: AC

File Ref: J:\000001188 - HILLINGDON SCHOOLS - WHITEHALL JUNIOR & INFANT SCHOOL - ELEVATIONS - (17.04.14) - REV 01 - 14.04.2014	Rev: AB1
---	-------------

Drawing No. 611869-A-330