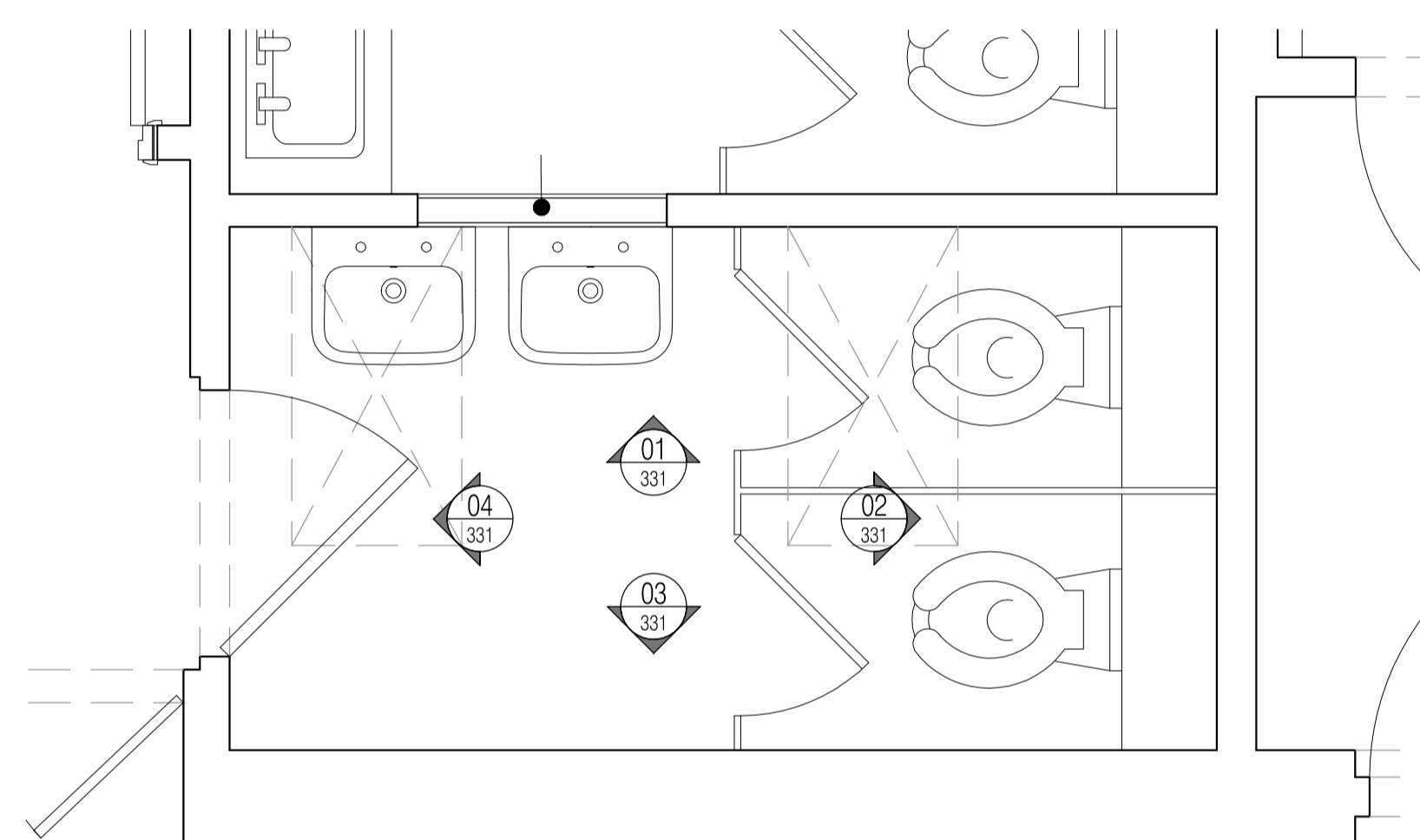
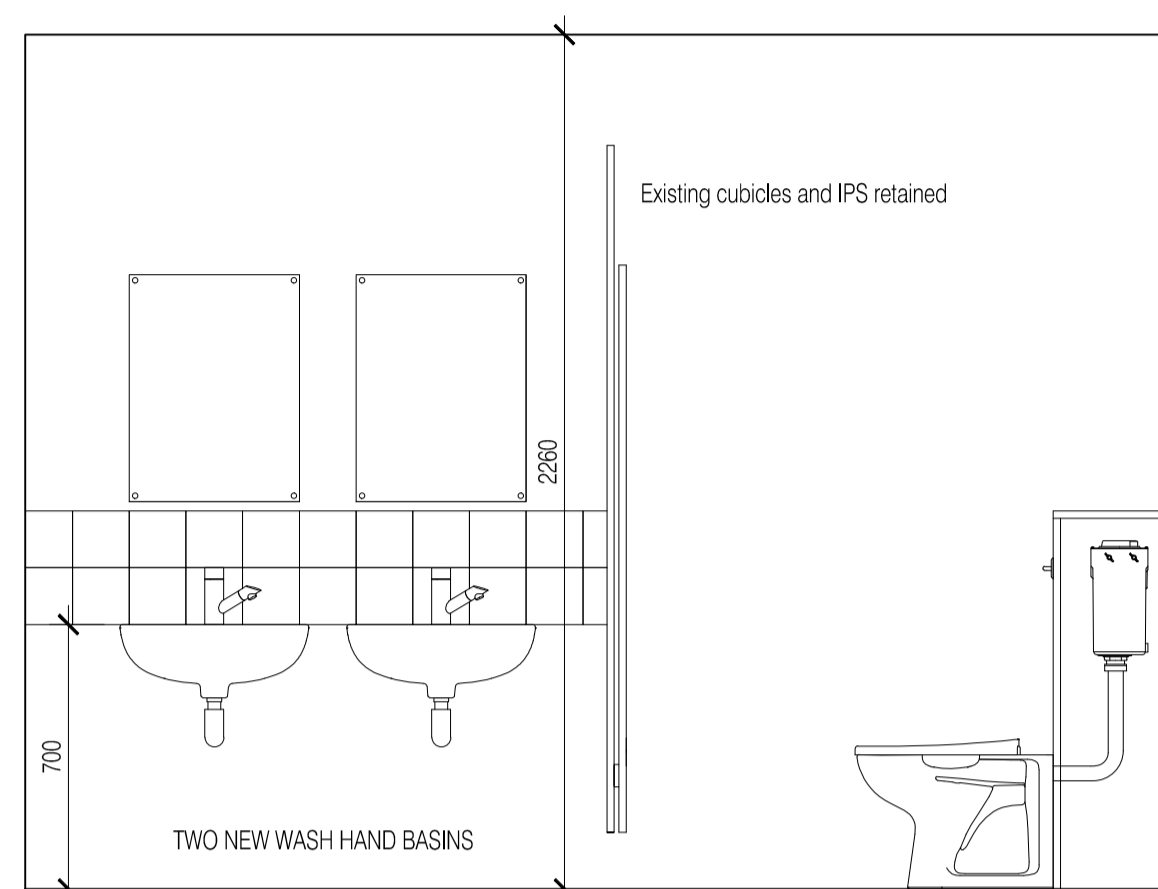


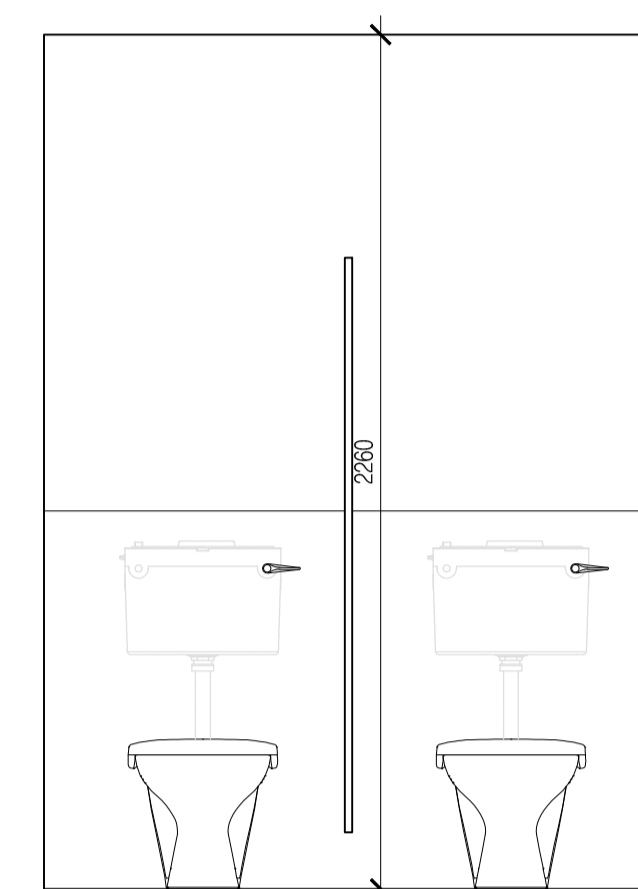
NOTES: Do not scale this drawing. All dimensions to be checked on site prior to commencement or manufacture.
 NB: All information based on supplied third party survey information. All discrepancies to be reported to FCG immediately upon discovery.



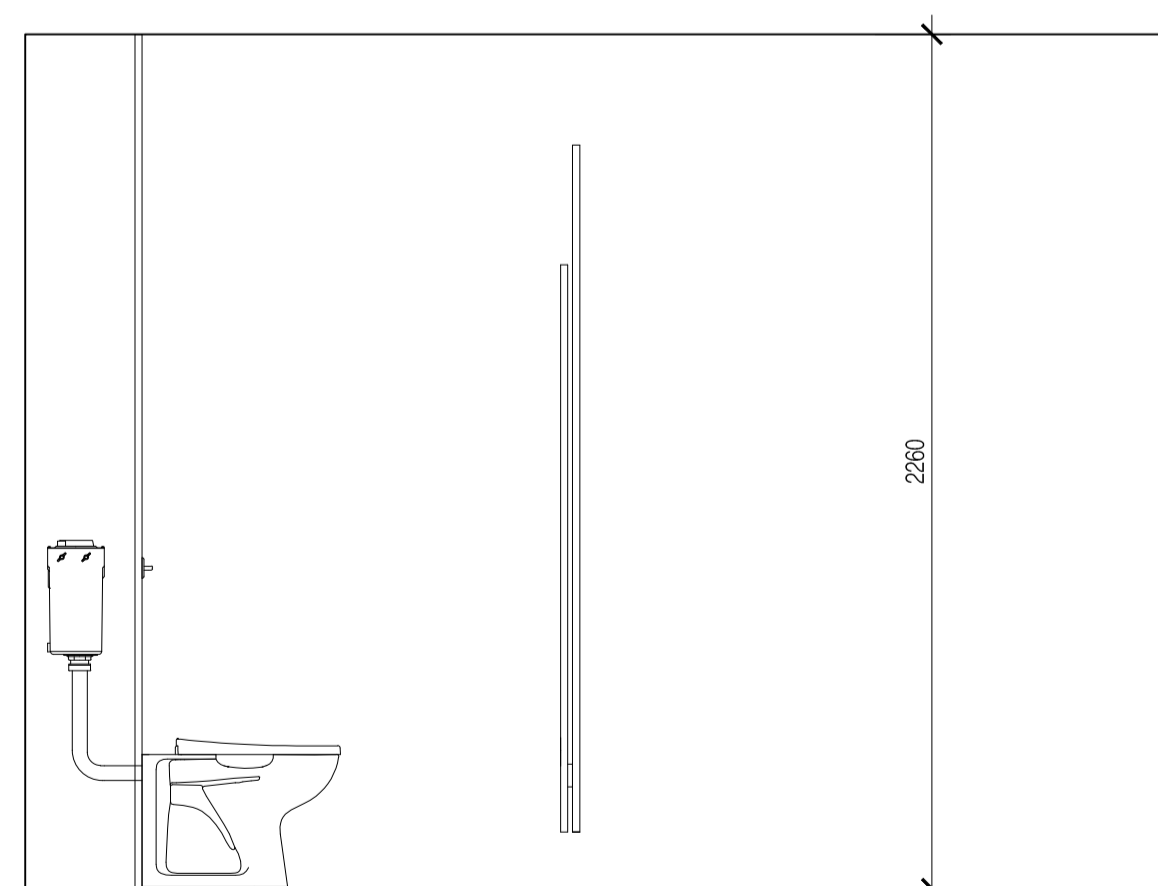
01 Floor Plan
Scale: 1:20



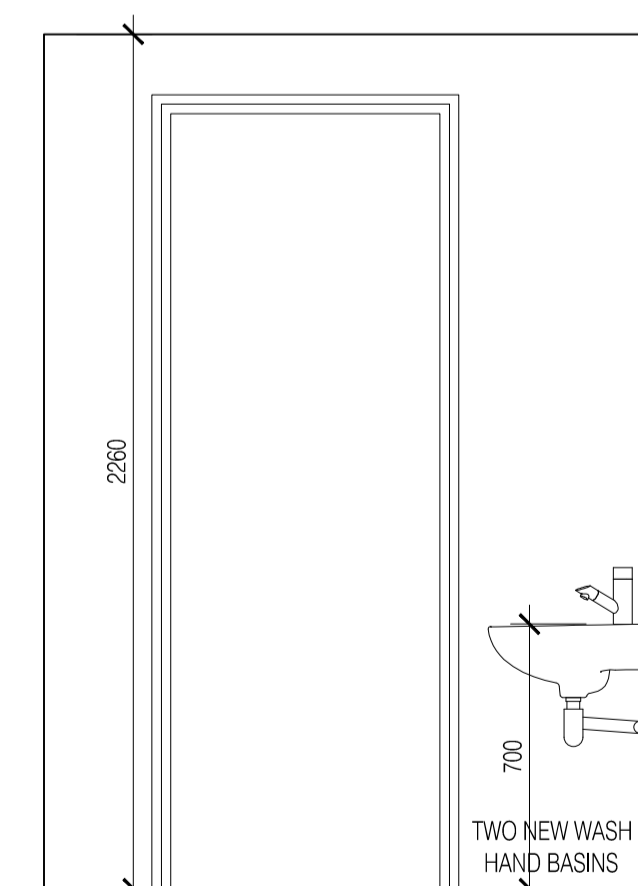
02 Elevation 01
Scale: 1:20



03 Elevation 02
Scale: 1:20



04 Elevation 03
Scale: 1:20



05 Elevation 04
Scale: 1:20

ROOF SPACE NOT YET SURVEYED TBC.

AS BUILT
DRAWING

Rev	Date	By	Clk	Comment
AB1	17.04.14	RKC	AGC	DRAWING ISSUED - AS BUILT

25 YEARS OF BRINGING IDEAS TO LIFE

FRANKHAM

Frankham Consultancy Group Limited

Frankham House Woolton Business Park
Besselsleigh Road Woolton Abingdon
Oxfordshire OX13 6FD
T 01865 322500 F 01865 327393
E enquire@frankham.com
www.frankham.com

Client: **Leadbitter CONSTRUCTION**

Project Title: Whitehall Junior & Infant School
Refurbishment, Extension and New Build
Cowley Road
London Borough of Hillingdon

Drawing Title: Infants School WC Area
Room Elevations
Existing WC (EIB-G-02)

Drawn by: RKC	Scale: 1:20@A1	Date: 31.05.12
Designed by: FCG	Checked by: JAS	Approved by: AC

File Ref: J:\00004188-161820201-SCHOOL-11-11-11\REVISED\DWG\02_ELEVATIONS 16.04.24.10.44.23	Drawing No. 611869-A-331	Rev. AB1
---	-----------------------------	-------------