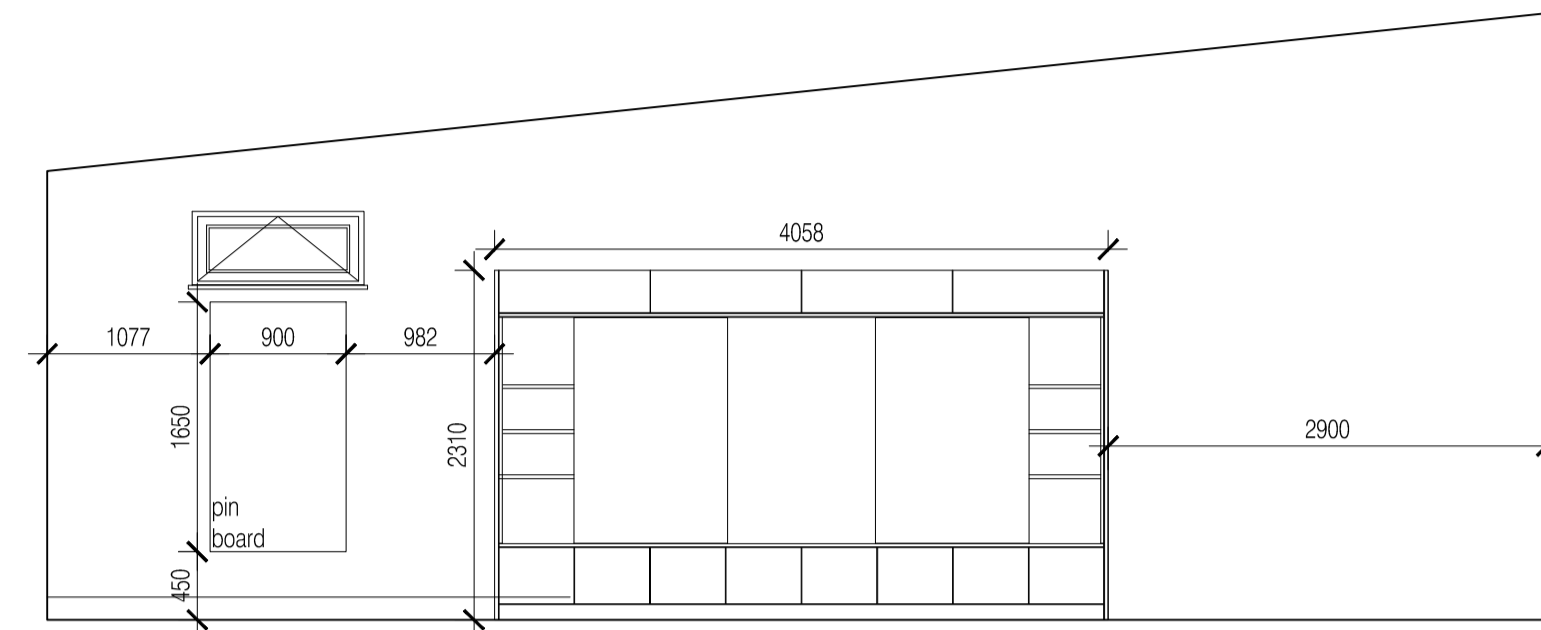
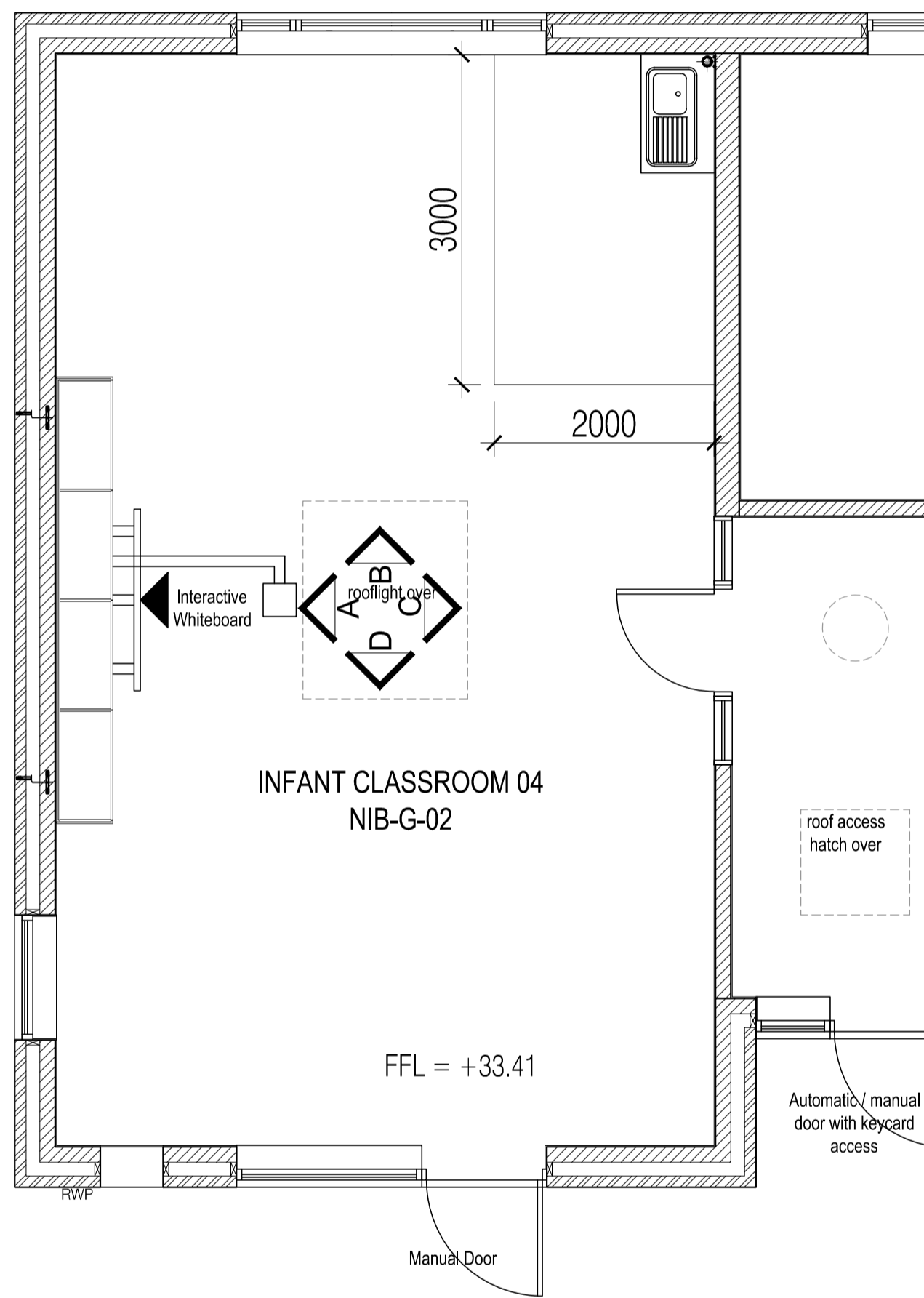
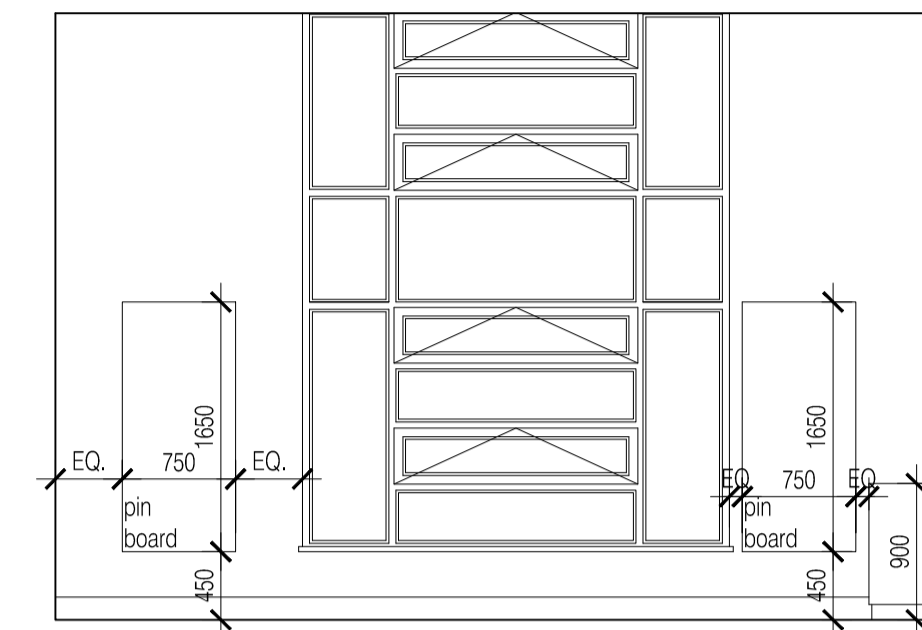


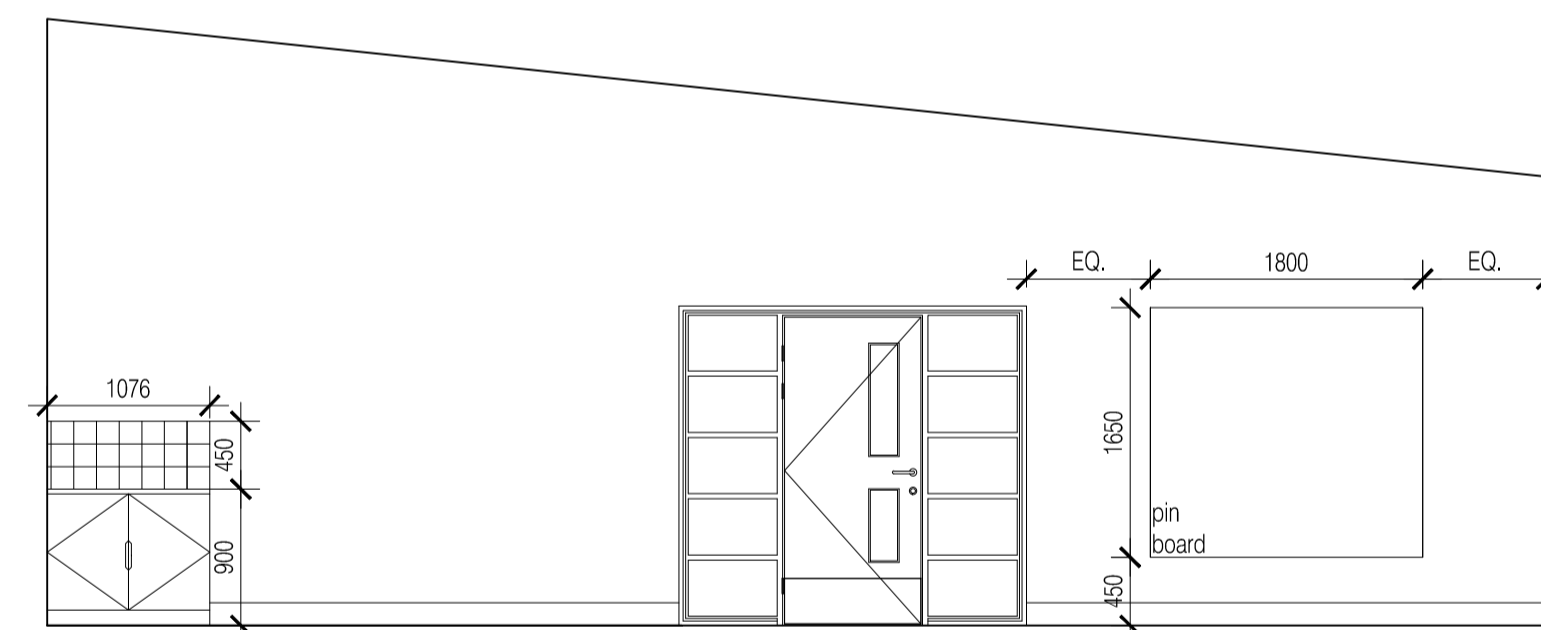
NOTES: Do not scale this drawing. All dimensions to be checked on site prior to commencement or manufacture.



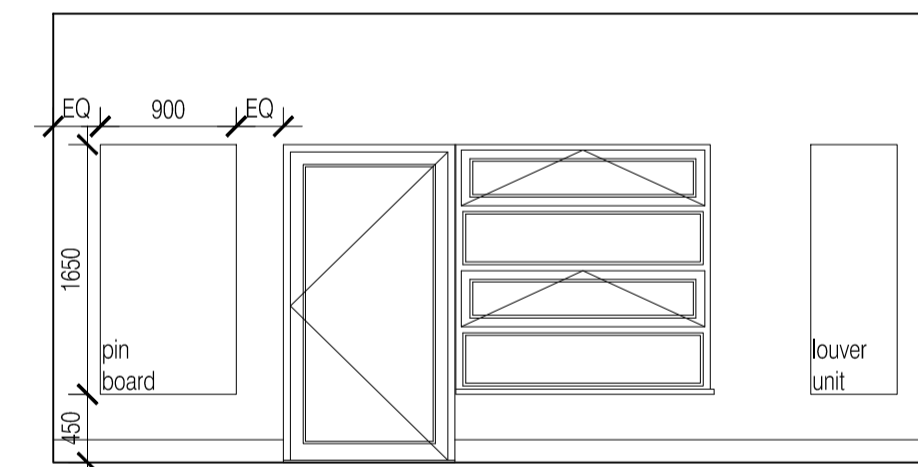
ELEVATION A
NIB-G-02 - INFANT CLASSROOM 04
NIB-G-12 - INFANT CLASSROOM 01 (HANCED)



ELEVATION B
NIB-G-02 - INFANT CLASSROOM 04
NIB-G-12 - INFANT CLASSROOM 01 (HANCED)



ELEVATION C
NIB-G-02 - INFANT CLASSROOM 04
NIB-G-12 - INFANT CLASSROOM 01 (HANCED)



ELEVATION D
NIB-G-02 - INFANT CLASSROOM 04
NIB-G-12 - INFANT CLASSROOM 01 (HANCED)

AS BUILT
DRAWING

Rev	Date	By	Clk	Comment
AB1	17.04.14	FKC	AGC	DRAWING ISSUED - AS BUILT

25 YEARS OF BRINGING IDEAS TO LIFE
ANNIVERSARY
1982-2007

FRANKHAM

Frankham Consultancy Group Limited
Frankham House Woolton Business Park
Besselsleigh Road Woolton Abingdon
Oxfordshire OX13 6FD
T 01865 322500 F 01865 327393
E enquire@frankham.com
www.frankham.com

Client
Leadbitter
CONSTRUCTION

Project Title
Whitehall Junior & Infant School
Refurbishment, Extension and New Build
Cowley Road
London Borough of Hillingdon

Drawing Title
New Infants Block
Proposed Room Elevations
Classrooms 1 + 4 (Hanced)

Drawn by: FKC	Scale: 1:50@A1	Date: 05.04.12
Designed by: FCG	Checked by: JAS	Approved by: AGC

File Ref: J:\000001\88-161\0000\00\00-1\HETALL\REV02\2004\00_00_00\00_00_00.dwg - REV02 - 14.04.2010 14:44:32	Drawing No. 611869-A-340	Rev. AB1
--	-----------------------------	-------------