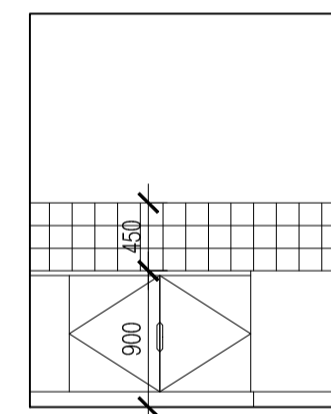
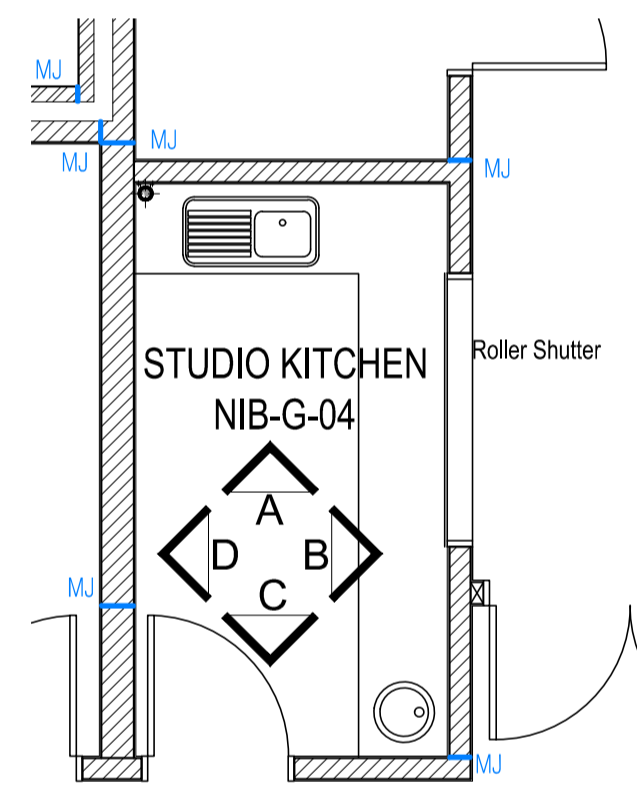
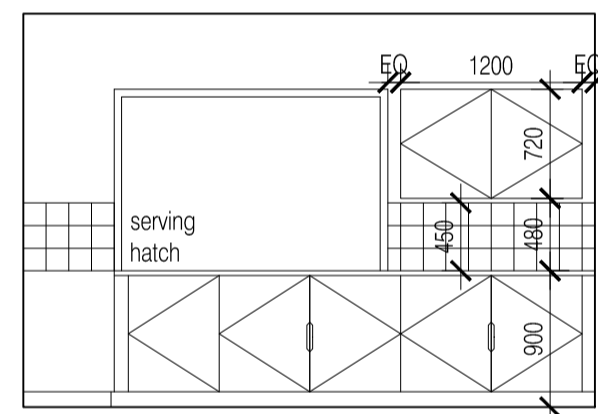


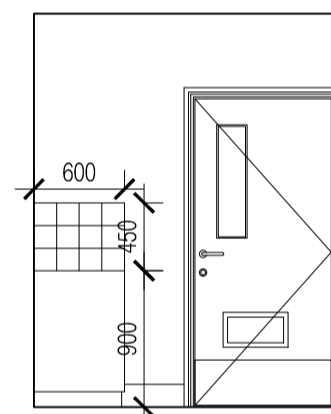
NOTES: Do not scale this drawing. All dimensions to be checked on site prior to commencement or manufacture.



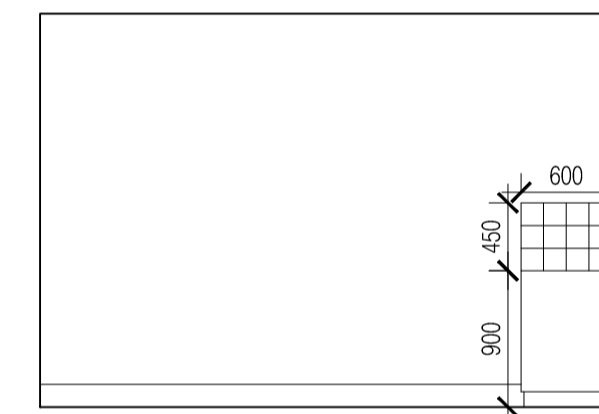
ELEVATION A  
NIB-G-04 - STUDIO KITCHEN



ELEVATION B  
NIB-G-04 - STUDIO KITCHEN



ELEVATION C  
NIB-G-04 - STUDIO KITCHEN



ELEVATION D  
NIB-G-04 - STUDIO KITCHEN

ISSUED FOR CONSTRUCTION

Rev	Date	By	Chk	Comment
C1	31.07.13	DOD	JM	Issued for Construction
A2	09.10.12	GD	JAS	NBS ref's added. Issued for Stage F approval.
A1	27.07.12	SC	JAS	First Formal Issue. Stage E Issue

25 YEARS OF BRINGING IDEAS TO LIFE

ANNIVERSARY  
25 YEARS  
1982-2007

**FRANKHAM**

**Frankham Consultancy Group Limited**

Frankham House Woolton Business Park  
Besselsleigh Road Woolton Abingdon  
Oxfordshire OX13 6FD  
T 01865 322500 F 01865 327393  
E enquiries@frankham.com  
www.frankham.com

Client  
**Leadbitter**  
CONSTRUCTION

Project Title  
Whitehall Junior & Infant School  
Refurbishment, Extension and New Build  
Cowley Road  
London Borough of Hillingdon

Drawing Title  
New Infants Block  
Proposed Room Elevations  
Studio Kitchen

Drawn by: RKC	Scale: 1:50@A1	Date: 27.07.12
Designed by: FCG	Checked by: JAS	Approved by: AGC

File Ref: J:\00004188-18LINDOON SCHOOL-11 WHITEHALL JUNIOR & INFANT SCHOOL-180 ELEVATIONS -11-180-A-342-02 - REV C1-18071203	14.04.24.10.45.03
Drawing No. 611869-A-344	Rev. C1