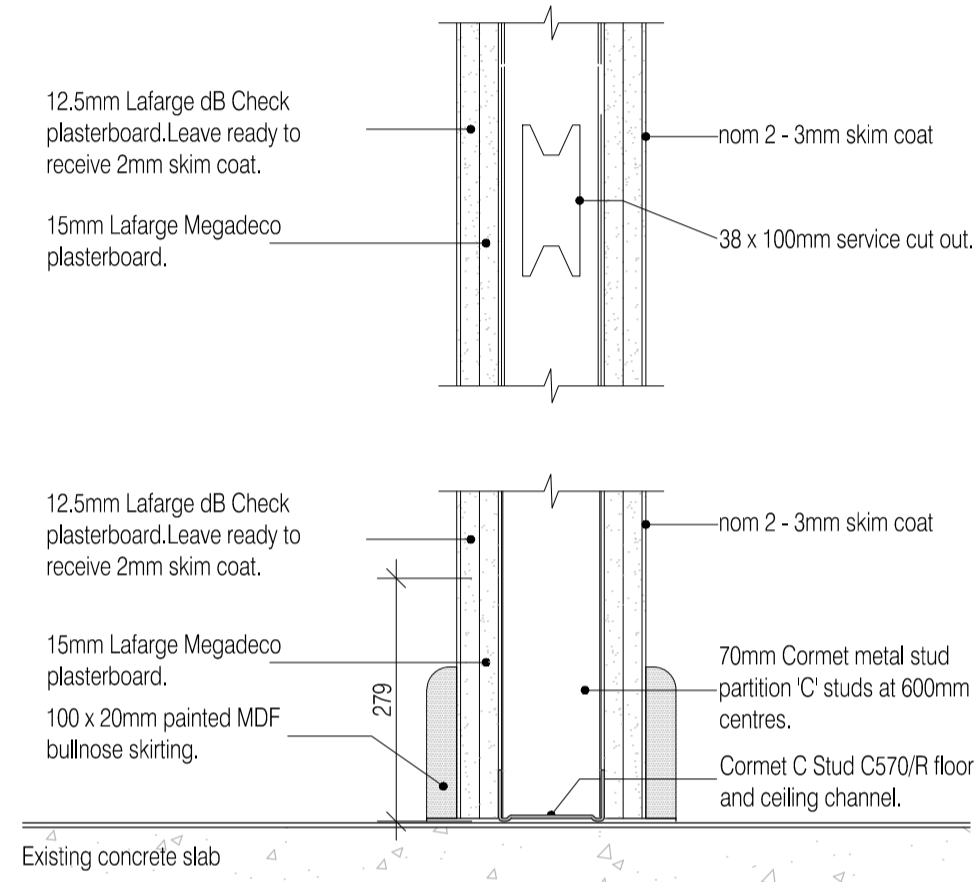
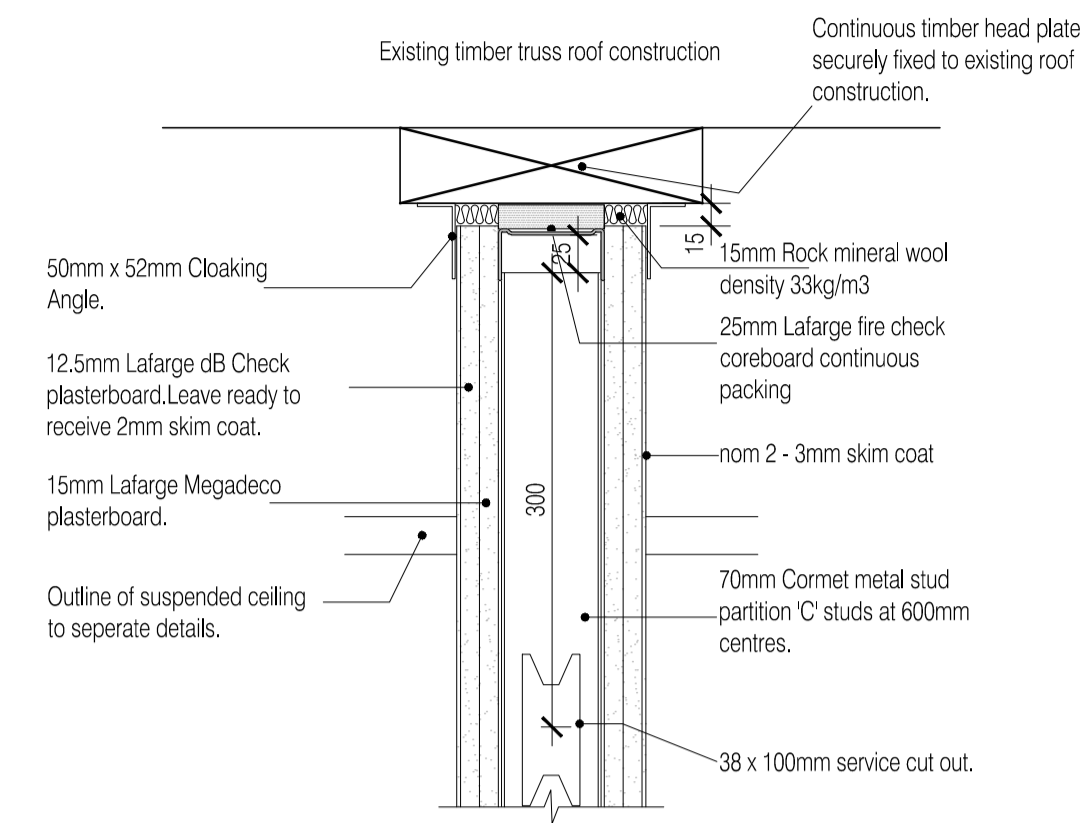
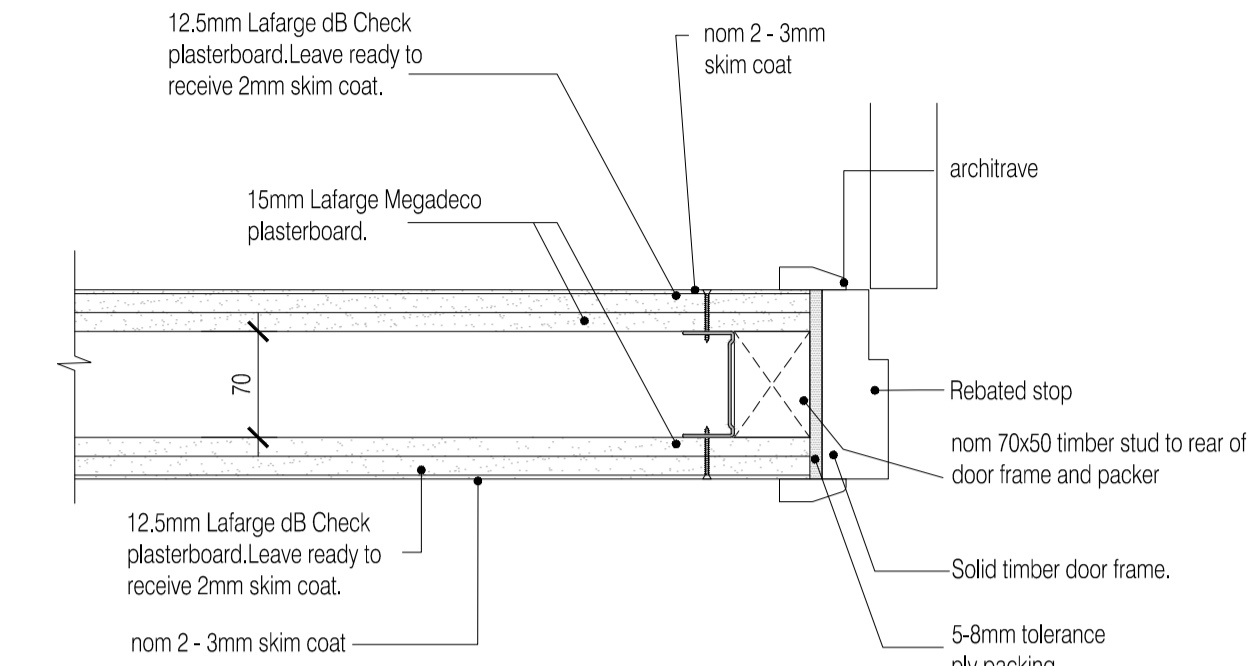


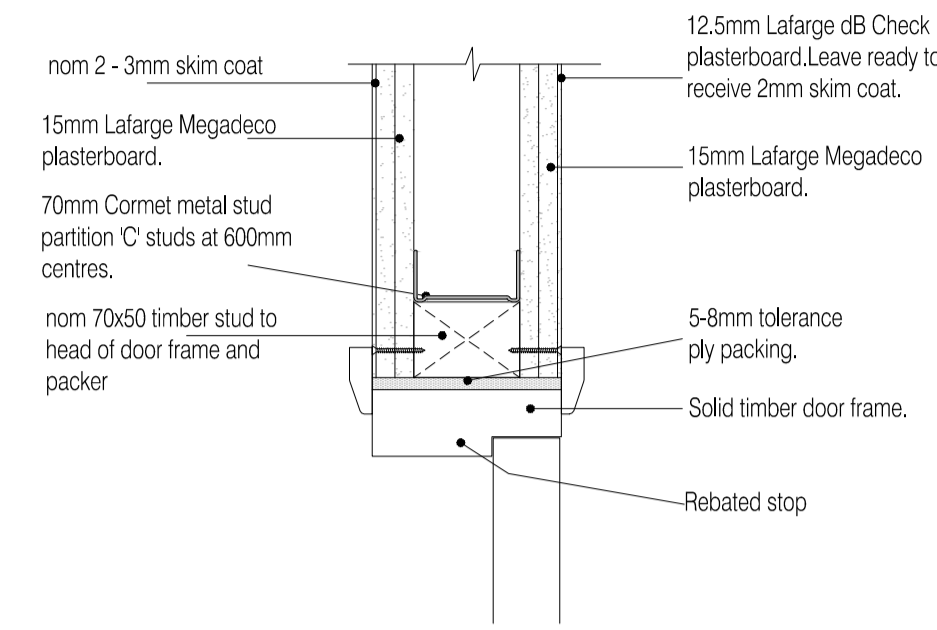
NOTES: Do not scale this drawing. All dimensions to be checked on site prior to commencement or manufacture.



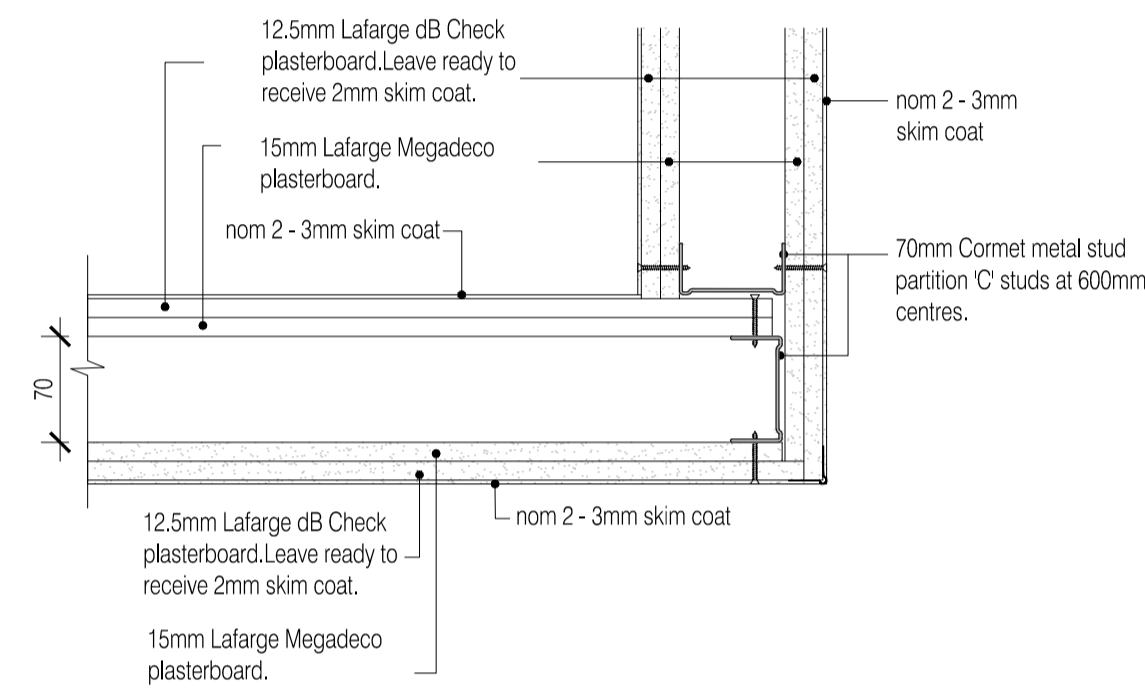
1 Typical Partition Base without Screed Detail
Scale: 1:5



02 Typical locations - corridors/stores (Door frame detail)
Scale: 1:5



03 Typical door head detail.
Scale: 1:5



04 Typical corner detail.
Scale: 1:5

ISSUED FOR CONSTRUCTION

Rev	Date	By	Chk	Comment
C1	01.08.12	RG	JAS	Updated for Construction Issue
A1	27.06.12	RKC	JAS	First Issue. Issued for Stage E Approval

25 YEARS OF BRINGING IDEAS TO LIFE

ANNIVERSARY 25 YEARS 1982-2007

FRANKHAM

Frankham Consultancy Group Limited

Frankham House Wootton Business Park
Besselsleigh Road Wootton Abingdon
Oxfordshire OX13 6FD
T 01865 322500 F 01865 327393
E enquiries@frankham.com
www.frankham.com

Client

Leadbitter
CONSTRUCTION

Project Title

Whitehall Junior & Infant School
Refurbishment, Extension and New Build
Cowley Road
London Borough of Hillingdon

Drawing Title

Existing Infant School
Partition Details - New Store (EIB-G-04)
[General reference to EWA Spec K10/125]

Drawn by: RKC	Scale: 1:5@A1	Date: 22.06.12
Designed by: FCG	Checked by: JAS	Approved by: AC

File Ref: J:\000001\BIB - HILLINGDON SCHOOLS - WHITEHALL REDEVELOPMENT\04_00_DETALS\04_04_01.dwg
14.04.24.10.48.08

Drawing No. 611869-A-500	Rev. C1
-----------------------------	------------