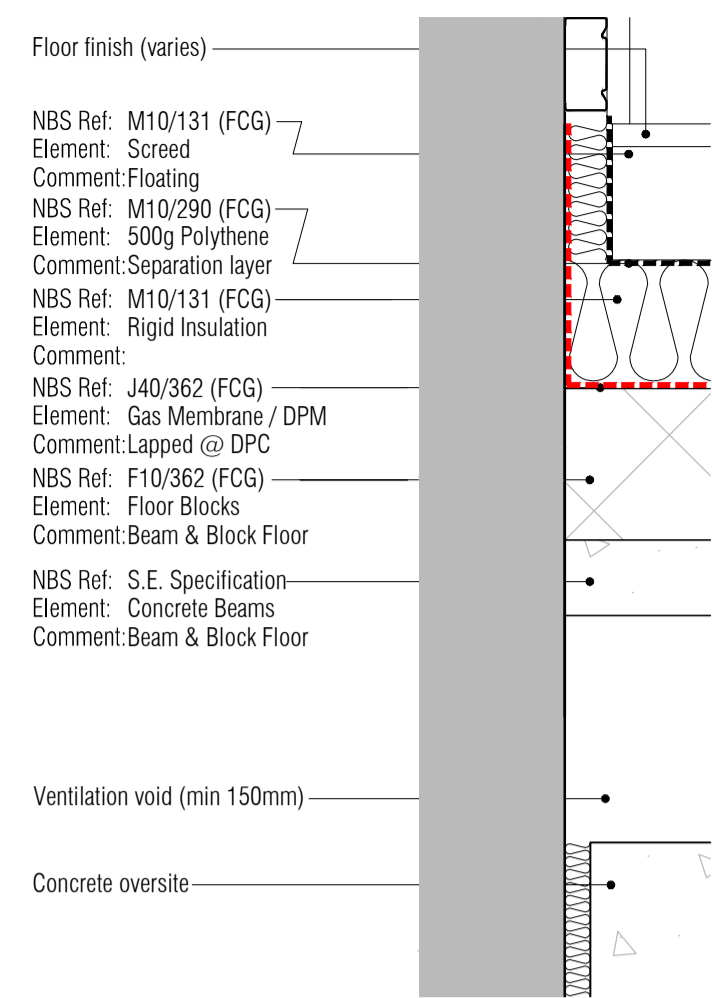
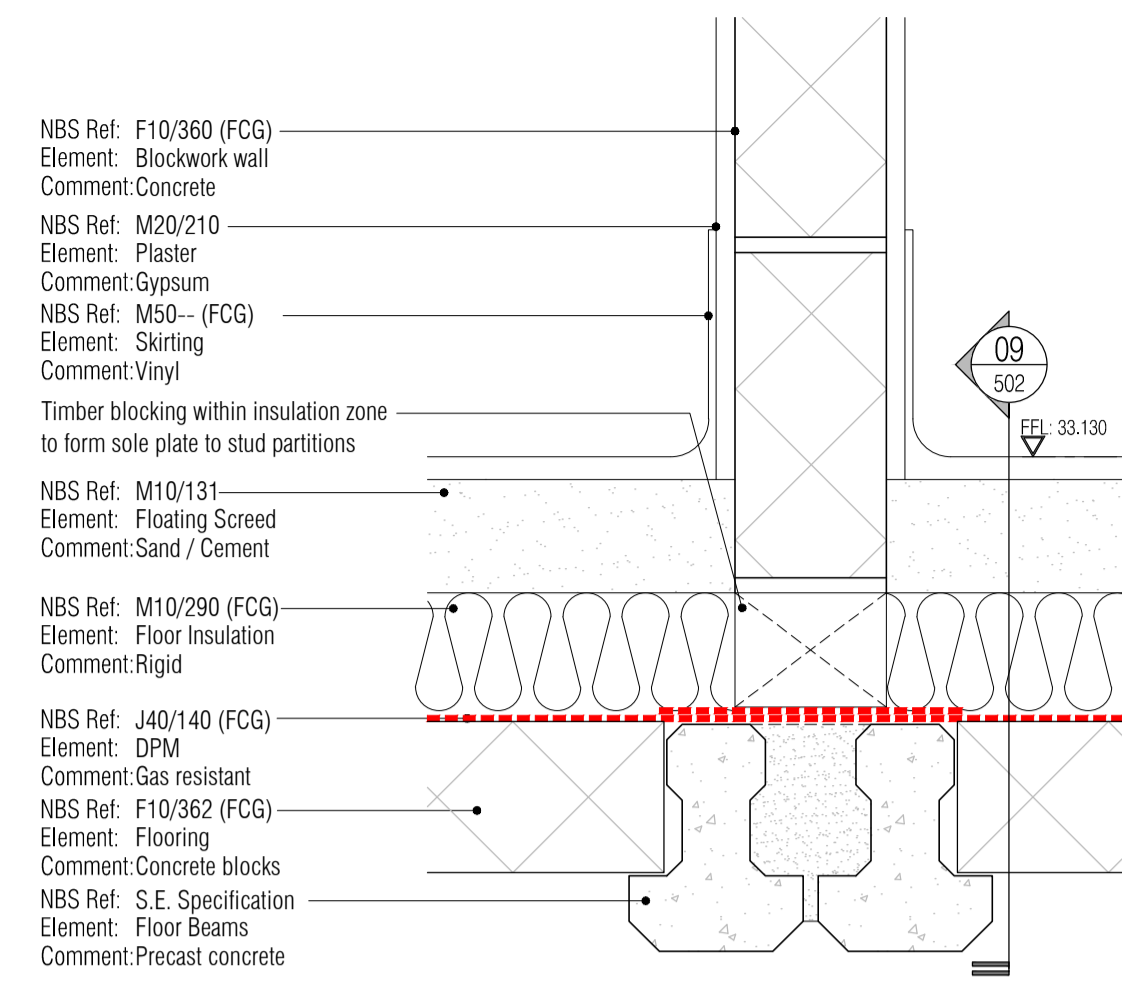


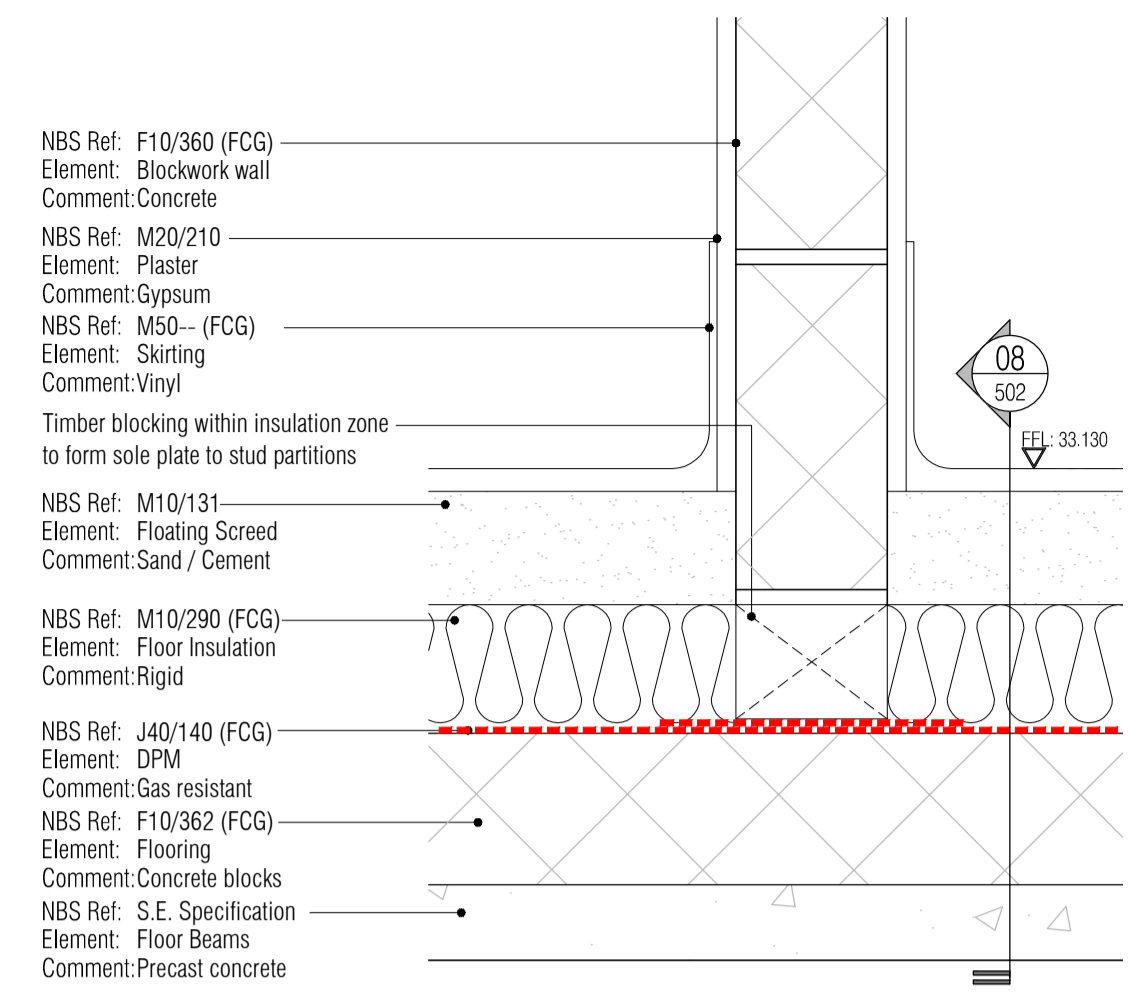
**06 Suspended Floor / Existing Floor Detail**  
Scale: 1:5



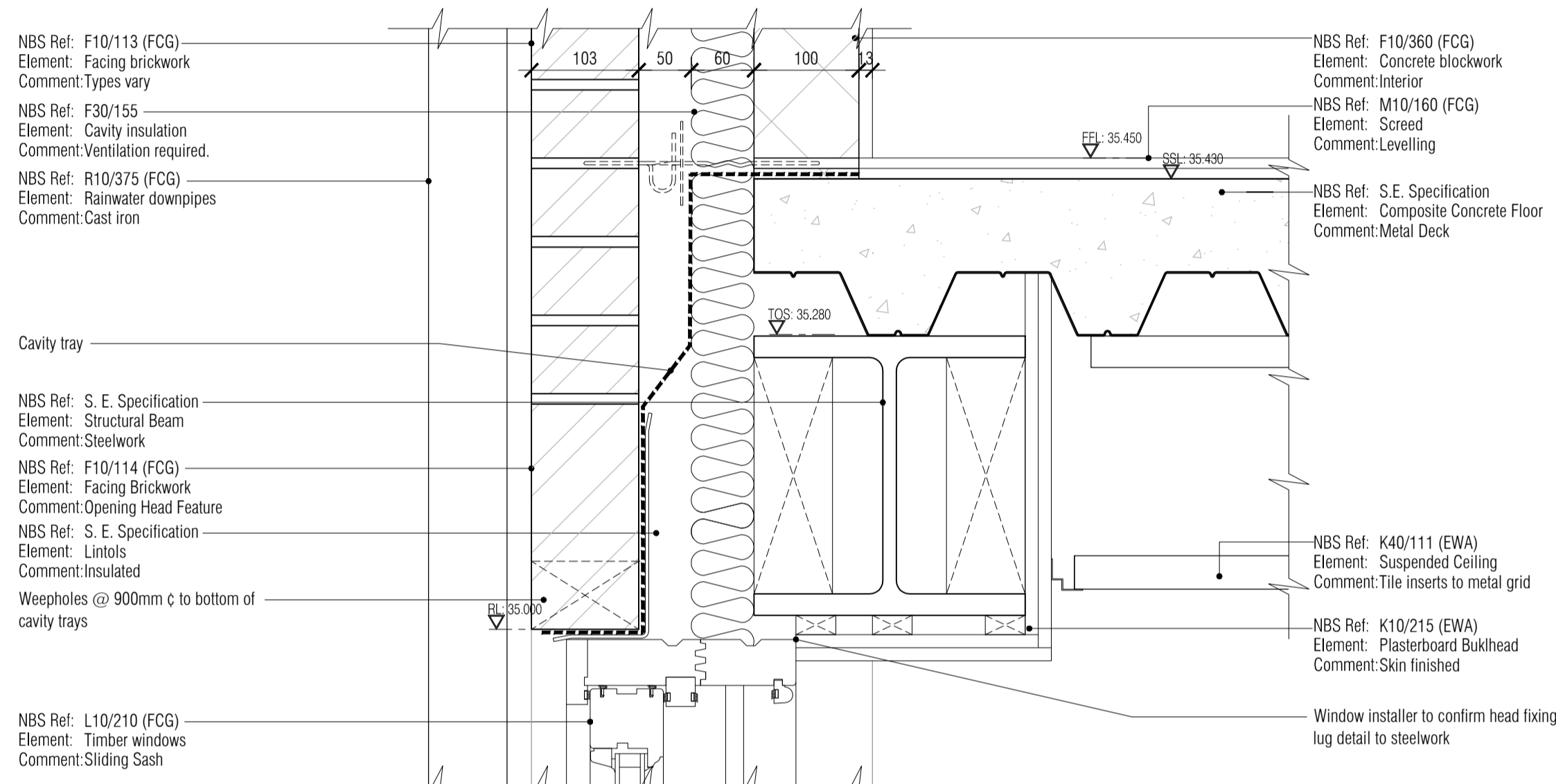
**07 Suspended Floor / Existing Floor Detail**  
Scale: 1:5



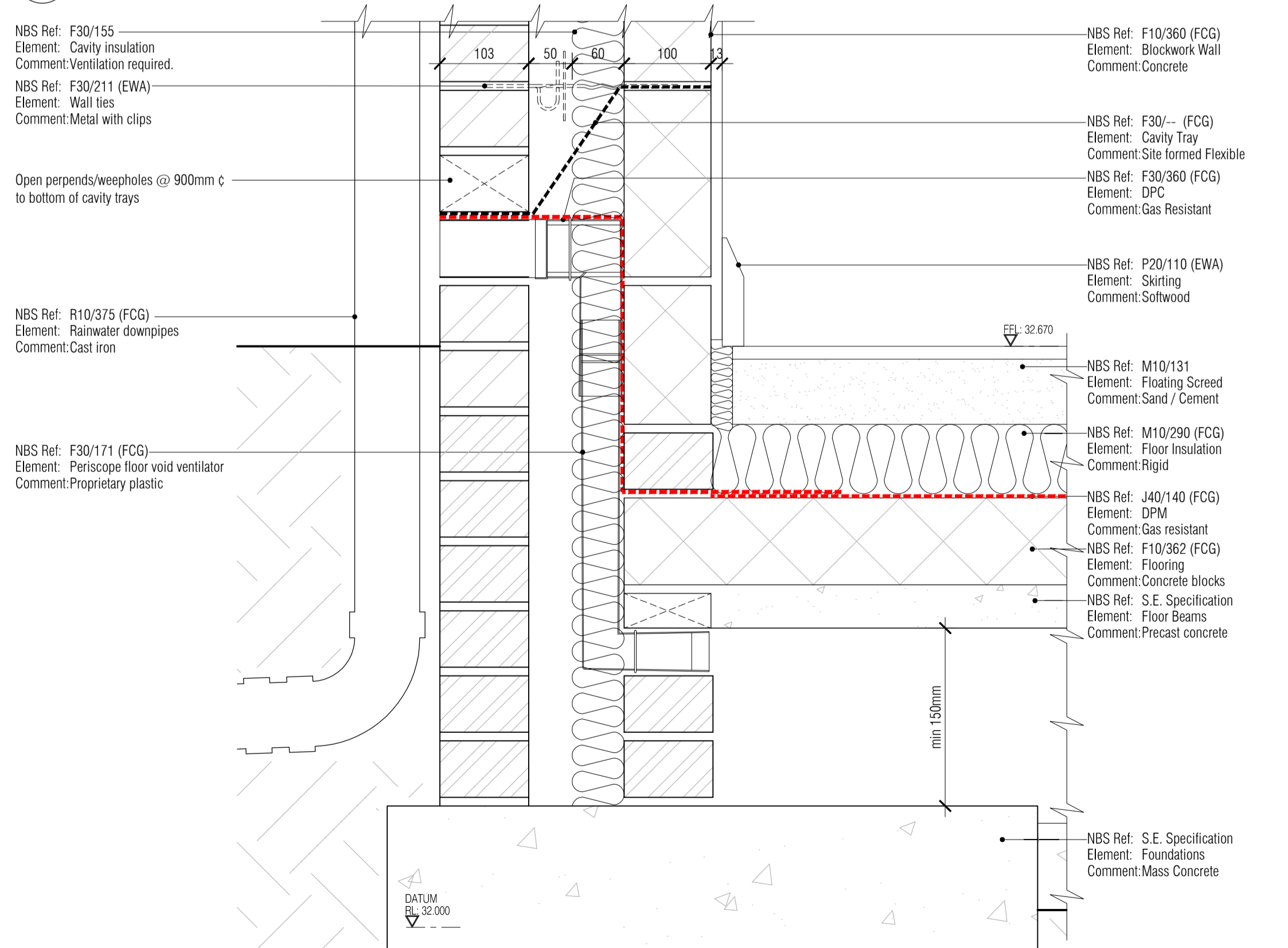
**08 Parallel Block Wall Sole Plate Detail**  
Scale: 1:5



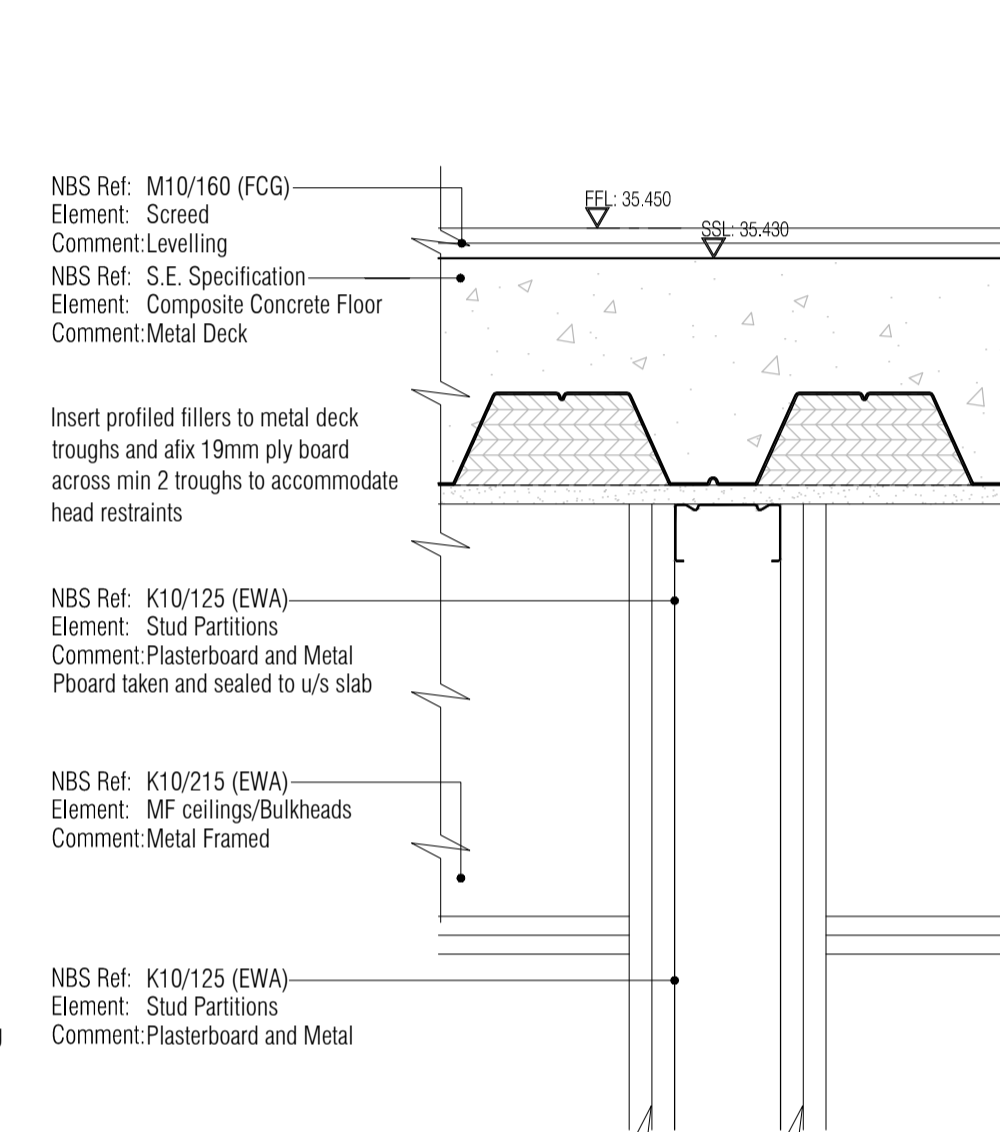
**09 Block Wall Sole Plate Detail**  
Scale: 1:5



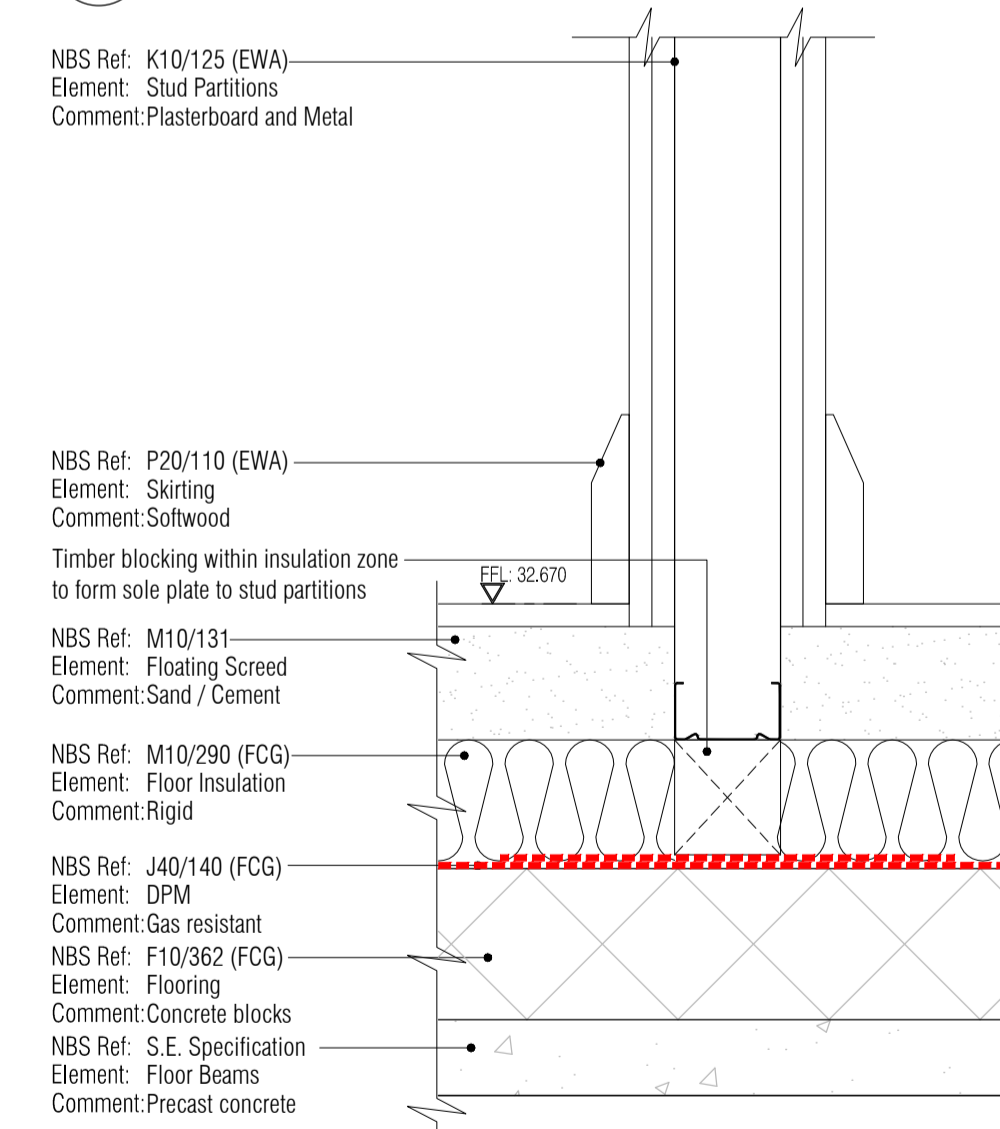
**02 Suspended Floor Steel Beam & Lintol Detail**  
Scale: 1:5



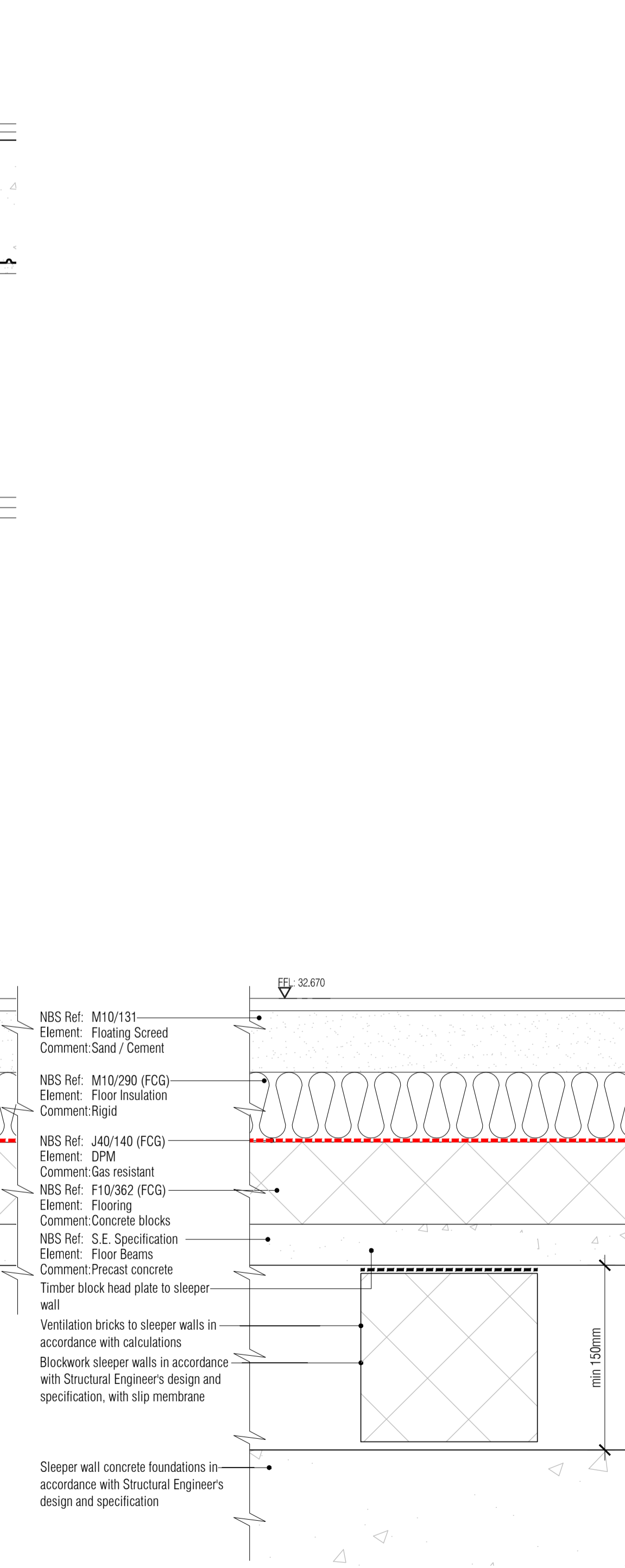
**01 Typical Suspended Floor Ventilation Detail**  
Scale: 1:5



**03 Suspended Floor Metal Stud Head Detail**  
Scale: 1:5



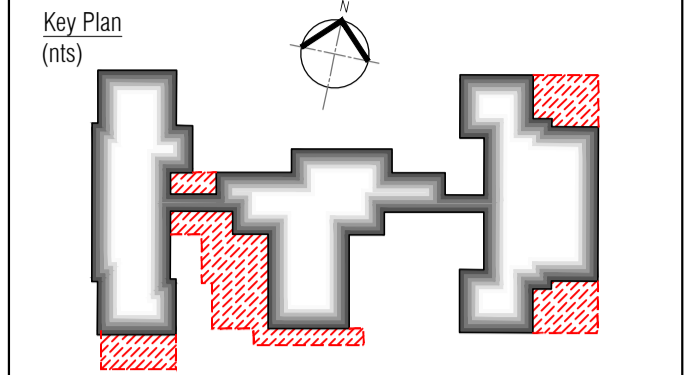
**04 Suspended Floor Metal Stud Sole Plate Detail**  
Scale: 1:5



**05 Suspended Floor Cross Ventilation Detail**  
Scale: 1:5

NOTES: Do not scale this drawing. All dimensions to be checked on site prior to commencement or manufacture.

NB: All information based on supplied third party survey information. All discrepancies to be reported to FCG immediately upon discovery.



AS BUILT  
DRAWING

Rev	Date	By	Clk	Comment
AB1	17.04.14	RKC	AGC	DRAWING ISSUED - AS BUILT

**FRANKHAM**

Frankham Consultancy Group Limited  
 Frankham House Wootton Business Park  
 Besselsleigh Road Wootton Abingdon  
 Oxfordshire OX13 6FD  
 T 01865 322500 F 01865 327393  
 E enquire@frankham.com  
 www.frankham.com

Rev	Date	By	Clk	Comment
AB1	17.04.14	RKC	AGC	DRAWING ISSUED - AS BUILT

25 YEARS OF BRINGING IDEAS TO LIFE

**FRANKHAM**

Frankham House Wootton Business Park  
 Besselsleigh Road Wootton Abingdon  
 Oxfordshire OX13 6FD  
 T 01865 322500 F 01865 327393  
 E enquire@frankham.com  
 www.frankham.com

Client: **Leadbitter CONSTRUCTION**

Project Title: Whitehall Junior & Infant School  
 Refurbishment, Extension and New Build  
 Cowley Road  
 London Borough of Hillingdon

Drawing Title: Typical Floor and Wall Details

Drawn by: RKC	Scale: 1:5@A1	Date: 03.10.12
Designed by: FCG	Checked by: JAS	Approved by: AC

File Ref: J:\000001\88-161869\001\001-161869-A-502-DWG - REV 04 - 14.04.2014 10:48:41

Drawing No. <b>611869-A-502</b>	Rev. <b>AB1</b>
------------------------------------	--------------------